

Product: EXCAVATOR

Model: 320B L EXCAVATOR 6LW

Configuration: 320B, 320B L, 320B LN, 320B N & 320B S Excavators 6LW00001-UP (MACHINE) POWERED BY 3116 Engine

## **Operation and Maintenance Manual 320B, 322B, 325B, 330B and 345B Excavators**

Media Number -SEBU7269-03

Publication Date -01/09/2000

Date Updated -09/10/2001

s00037320

## **Foreword**

SMCS - 6001-011; 6101; 6102; 6523

## **Literature Information**

This manual should be stored in the operator's compartment in the literature holder or seat back literature storage area.

This manual contains safety information, operation instructions, transportation information, lubrication information and maintenance information.

Some photographs or illustrations in this publication show details or attachments that can be different from your machine. Guards and covers might have been removed for illustrative purposes.

Continuing improvement and advancement of product design might have caused changes to your machine which are not included in this publication. Read, study and keep this manual with the machine.

Whenever a question arises regarding your machine, or this publication, please consult your Cat dealer for the latest available information.

## **Safety**

The safety section lists basic safety precautions. In addition, this section identifies the text and locations of warning signs and labels used on the machine.

Read and understand the basic precautions listed in the safety section before operating or performing lubrication, maintenance and repair on this machine.

## **Operation**

The operation section is a reference for the new operator and a refresher for the experienced operator. This section includes a discussion of gauges, switches, machine controls, attachment controls, transportation and towing information.

Photographs and illustrations guide the operator through correct procedures of checking, starting, operating and stopping the machine.

Operating techniques outlined in this publication are basic. Skill and techniques develop as the operator gains knowledge of the machine and its capabilities.

## Maintenance

The maintenance section is a guide to equipment care. The Maintenance Interval Schedule (MIS) lists the items to be maintained at a specific service interval. Items without specific intervals are listed under the "When Required" service interval. The Maintenance Interval Schedule lists the page number for the step-by-step instructions required to accomplish the scheduled maintenance. Use the Maintenance Interval Schedule as an index or "one safe source" for all maintenance procedures.

### Maintenance Intervals

Use the service hour meter to determine servicing intervals. Calendar intervals shown (daily, weekly, monthly, etc.) can be used instead of service hour meter intervals if they provide more convenient servicing schedules and approximate the indicated service hour meter reading. Recommended service should always be performed at the interval that occurs first.

Under extremely severe, dusty or wet operating conditions, more frequent lubrication than is specified in the maintenance intervals chart might be necessary.

Perform service on items at multiples of the original requirement. For example, at every 500 service hours or 3 months, also service those items listed under every 250 service hours or monthly and every 10 service hours or daily.

## California Proposition 65 Warning

Diesel engine exhaust and some of its constituents are known to the State of California to cause cancer, birth defects, and other reproductive harm.

Battery posts, terminals and related accessories contain lead and lead compounds. **Wash hands after handling.**

## Certified Engine Maintenance

Proper maintenance and repair is essential to keep the engine and machine systems operating correctly. As the heavy duty off-road diesel engine owner, you are responsible for the performance of the required maintenance listed in the Owner Manual, Operation and Maintenance Manual, and Service Manual.

It is prohibited for any person engaged in the business of repairing, servicing, selling, leasing, or trading engines or machines to remove, alter, or render inoperative any emission related device or element of design installed on or in an engine or machine that is in compliance with the

regulations (40 CFR Part 89). Certain elements of the machine and engine such as the exhaust system, fuel system, electrical system, intake air system and cooling system may be emission related and should not be altered unless approved by Caterpillar.

## Machine Capacity

Additional attachments or modifications may exceed machine design capacity which can adversely affect performance characteristics. Included would be stability and system certifications such as brakes, steering, and rollover protective structures (ROPS). Contact your Cat dealer for further information.

## Cat Product Identification Number

Effective First Quarter 2001 the Cat Product Identification Number (PIN) has changed from 8 to 17 characters. In an effort to provide uniform equipment identification, Caterpillar and other construction equipment manufacturers are moving to comply with the latest version of the product identification numbering standard. Non-road machine PINs are defined by ISO 10261. The new PIN format will apply to all Cat machines and generator sets. The PIN plates and frame marking will display the 17 character PIN. The new format will look like the following:



---

Illustration 1

g00751314

Where:

1. Caterpillar's World Manufacturing Code (characters 1-3)
2. Machine Descriptor (characters 4-8)
3. Check Character (character 9)
4. Machine Indicator Section (MIS) or Product Sequence Number (characters 10-17). These were previously referred to as the Serial Number.

**<https://www.ebooklibonline.com>**

Hello dear friend!

Thank you very much for reading.

Enter the link into your browser.

The full manual is available for immediate download.

**<https://www.ebooklibonline.com>**

Machines and generator sets produced before First Quarter 2001 will maintain their 8 character PIN format.

Components such as engines, transmissions, axles, etc. and work tools will continue to use an 8 character Serial Number (S/N).

---

Product: EXCAVATOR

Model: 320B L EXCAVATOR 6LW

Configuration: 320B, 320B L, 320B LN, 320B N & 320B S Excavators 6LW00001-UP (MACHINE) POWERED BY 3116 Engine

## Operation and Maintenance Manual 320B, 322B, 325B, 330B and 345B Excavators

Media Number -SEBU7269-03

Publication Date -01/09/2000

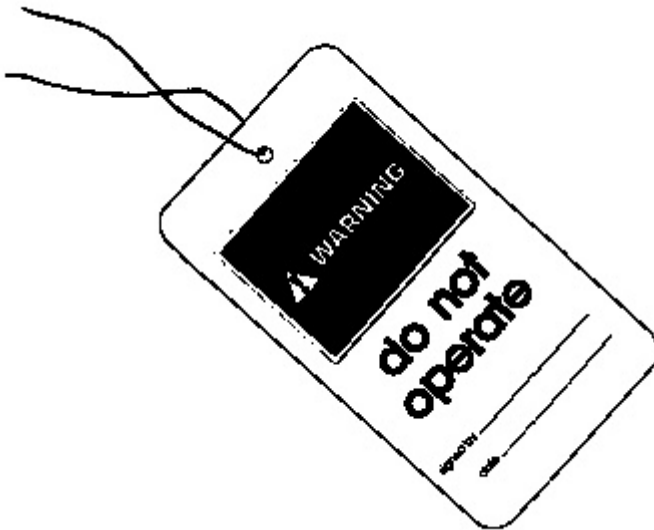
Date Updated -09/10/2001

i07500894

## General Hazard Information

SMCS - 7000

---



---

Illustration 1

g00104545

Typical example

Attach a "Do Not Operate" warning tag or a similar warning tag to the start switch or to the controls. Attach the warning tag before you service the equipment or before you repair the equipment. Warning tag SEHS7332 is available from your Cat dealer.



**Operating the machine while distracted can result in the loss of machine control. Use extreme caution when using any device while operating the**

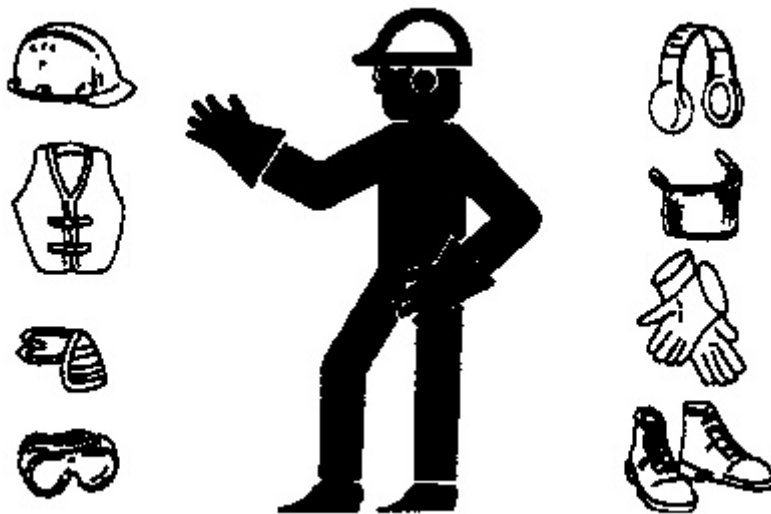
**machine. Operating the machine while distracted can result in personal injury or death.**

---

Know the width of your equipment in order to maintain proper clearance when you operate the equipment near fences or near boundary obstacles.

Be aware of high voltage power lines and power cables that are buried. If the machine comes in contact with these hazards, serious injury or death may occur from electrocution.

---



---

Illustration 2

g00702020

Wear a hard hat, protective glasses, and other protective equipment, as required.

Do not wear loose clothing or jewelry that can snag on controls or on other parts of the equipment.

Make sure that all protective guards and all covers are secured in place on the equipment.

Keep the equipment free from foreign material. Remove debris, oil, tools, and other items from the deck, from walkways, and from steps.

Secure all loose items such as lunch boxes, tools, and other items that are not a part of the equipment.

Know the appropriate work site hand signals and the personnel that are authorized to give the hand signals. Accept hand signals from one person only.

Do not smoke when you service an air conditioner. Also, do not smoke if refrigerant gas may be present. Inhaling the fumes that are released from a flame that contacts air conditioner refrigerant can cause bodily harm or death. Inhaling gas from air conditioner refrigerant through a lighted cigarette can cause bodily harm or death.

Never put maintenance fluids into glass containers. Drain all liquids into a suitable container.

Obey all local regulations for the disposal of liquids.

Use all cleaning solutions with care. Report all necessary repairs.

Do not allow unauthorized personnel on the equipment.

Unless you are instructed otherwise, perform maintenance with the equipment in the servicing position. Refer to Operation and Maintenance Manual for the procedure for placing the equipment in the servicing position.

When you perform maintenance above ground level, use appropriate devices such as ladders or man lift machines. If equipped, use the machine anchorage points and use approved fall arrest harnesses and lanyards.

## **Pressurized Air and Water**

Pressurized air and/or water can cause debris and/or hot water to be blown out. The debris and/or hot water could result in personal injury.

When pressurized air and/or pressurized water is used for cleaning, wear protective clothing, protective shoes, and eye protection. Eye protection includes goggles or a protective face shield.

The maximum air pressure for cleaning purposes must be reduced to 205 kPa (30 psi) when the nozzle is deadheaded and the nozzle is used with an effective chip deflector and personal protective equipment. The maximum water pressure for cleaning purposes must be below 275 kPa (40 psi).

Avoid direct spraying of water on electrical connectors, connections, and components. When using air for cleaning, allow the machine to cool to reduce the possibility of fine debris igniting when re-deposited on hot surfaces.

## **Trapped Pressure**

Pressure can be trapped in a hydraulic system. Releasing trapped pressure can cause sudden machine movement or attachment movement. Use caution if you disconnect hydraulic lines or fittings. High-pressure oil that is released can cause a hose to whip. High-pressure oil that is released can cause oil to spray. Fluid penetration can cause serious injury and possible death.

## **Fluid Penetration**

Pressure can be trapped in the hydraulic circuit long after the machine has been stopped. The pressure can cause hydraulic fluid or items such as pipe plugs to escape rapidly if the pressure is not relieved correctly.

Do not remove any hydraulic components or parts until pressure has been relieved or personal injury may occur. Do not disassemble any hydraulic components or parts until pressure has been relieved or personal injury may occur. Refer to the Service Manual for any procedures that are required to relieve the hydraulic pressure.

---

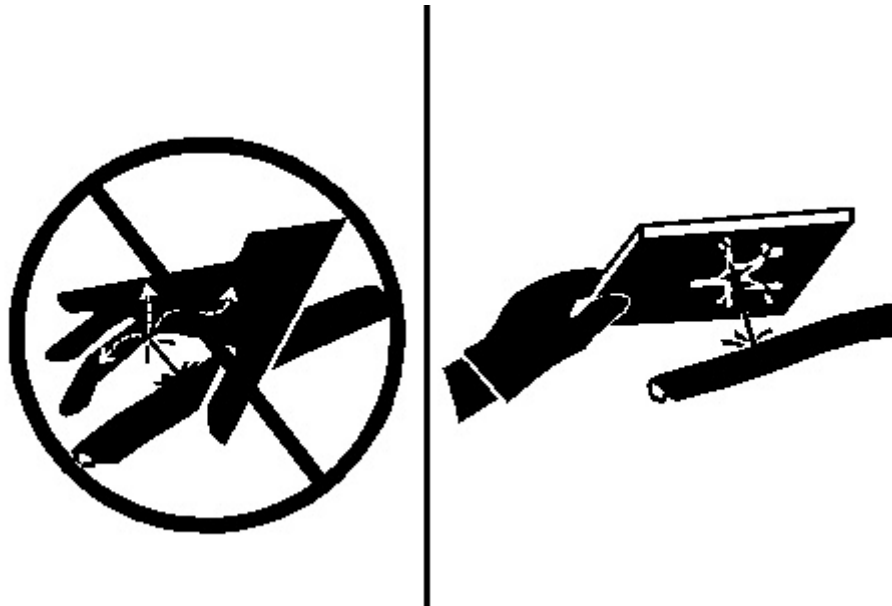


Illustration 3

g00687600

Always use a board or cardboard when you check for a leak. Leaking fluid that is under pressure can penetrate body tissue. Fluid penetration can cause serious injury and possible death. A pin hole leak can cause severe injury. If fluid is injected into your skin, you must get treatment immediately. Seek treatment from a doctor that is familiar with this type of injury.

## Containing Fluid Spillage

Care must be taken in order to ensure that fluids are contained during performance of inspection, maintenance, testing, adjusting, and repair of the equipment. Prepare to collect the fluid with suitable containers before opening any compartment or disassembling any component that contains fluids.

Refer to Special Publication, NENG2500, "Cat dealer Service Tool Catalog" for the following items:

- Tools that are suitable for collecting fluids and equipment that is suitable for collecting fluids
- Tools that are suitable for containing fluids and equipment that is suitable for containing fluids

Obey all local regulations for the disposal of liquids.

## Inhalation

---

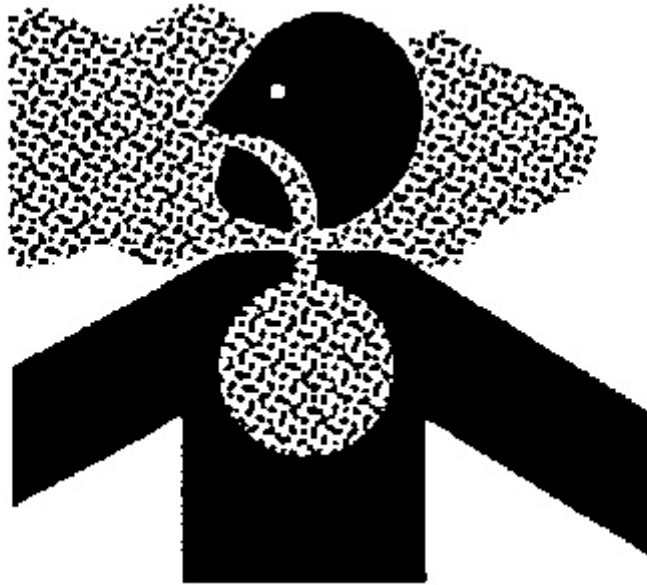


Illustration 4

g02159053

## **Exhaust**

Use caution. Exhaust fumes can be hazardous to your health. If you operate the machine in an enclosed area, adequate ventilation is necessary.

## **Asbestos Information**

Cat equipment and replacement parts that are shipped from Caterpillar are asbestos free. Caterpillar recommends the use of only genuine Cat replacement parts. Use the following guidelines when you handle any replacement parts that contain asbestos or when you handle asbestos debris.

Use caution. Avoid inhaling dust that might be generated when you handle components that contain asbestos fibers. Inhaling this dust can be hazardous to your health. The components that may contain asbestos fibers are brake pads, brake bands, lining material, clutch plates, and some gaskets. The asbestos that is used in these components is bound in a resin or sealed in some way. Normal handling is not hazardous unless airborne dust that contains asbestos is generated.

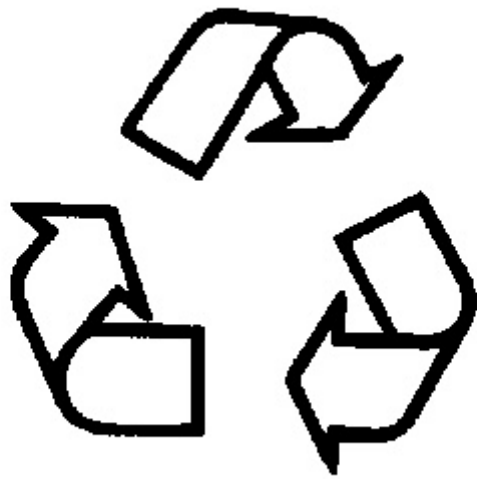
If dust that may contain asbestos is present, there are several guidelines that should be followed:

- Never use compressed air for cleaning.
- Avoid brushing materials that contain asbestos.
- Avoid grinding materials that contain asbestos.
- Use a wet method in order to clean up asbestos materials.
- A vacuum cleaner that is equipped with a high efficiency particulate air filter (HEPA) can also be used.
- Use exhaust ventilation on permanent machining jobs.

- Wear an approved respirator if there is no other way to control the dust.
- Comply with applicable rules and regulations for the work place. In the United States, use Occupational Safety and Health Administration (OSHA) requirements. These OSHA requirements can be found in "29 CFR 1910.1001". In Japan, use the requirements found in the "Ordinance on Prevention of Health Impairment due to Asbestos" in addition to the requirements of the Industrial Safety and Health Act.
- Obey environmental regulations for the disposal of asbestos.
- Stay away from areas that might have asbestos particles in the air.

## Dispose of Waste Properly

---



---

Illustration 5

g00706404

Improperly disposing of waste can threaten the environment. Potentially harmful fluids should be disposed of according to local regulations.

Always use leakproof containers when you drain fluids. Do not pour waste onto the ground, down a drain, or into any source of water.

---

Product: EXCAVATOR

Model: 320B L EXCAVATOR 6LW

Configuration: 320B, 320B L, 320B LN, 320B N & 320B S Excavators 6LW00001-UP (MACHINE) POWERED BY 3116 Engine

## Operation and Maintenance Manual 320B, 322B, 325B, 330B and 345B Excavators

Media Number -SEBU7269-03

Publication Date -01/09/2000

Date Updated -09/10/2001

i02287902

### Quick Coupler Control

SMCS - 5700; 6129

### Hydraulic Universal Quick Coupler with Single Action Cylinder or with Double Action Cylinder (If Equipped)



**WARNING**

**Inspect the coupler wedge engagement before you operate the excavator.**

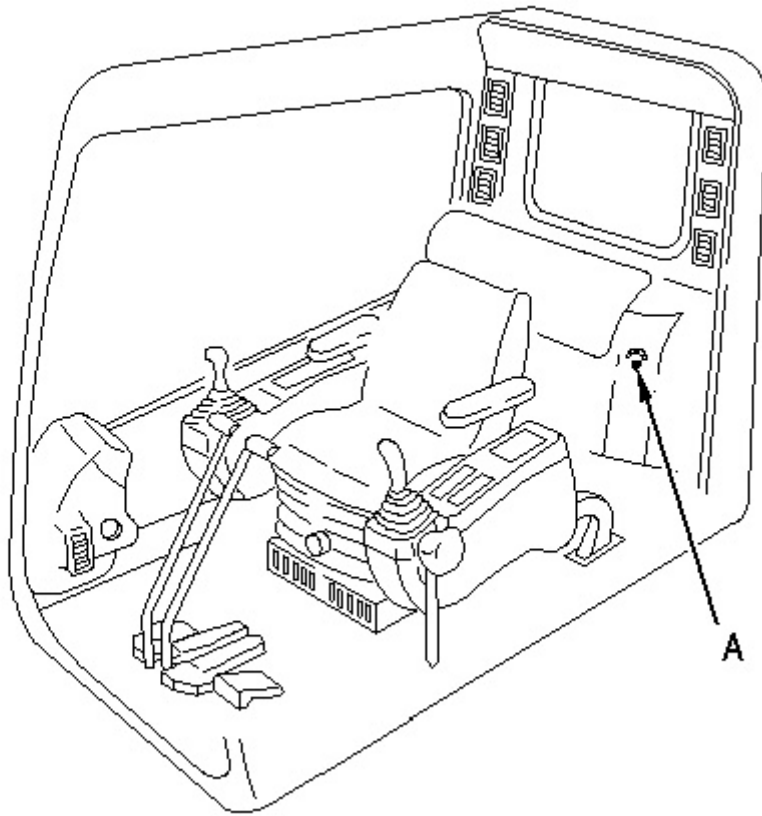
**Serious injury or death may result from an improperly engaged coupler.**

**Inspect coupler wedge engagement from the cab by rotating the bucket or the work tool inward. Extend the bucket cylinder to bring the coupler actuator into view and bring the stick in until the wedges are visible.**

---

**Note:** Before you use the switch to secure the quick coupler, make sure that the quick coupler has either a single action cylinder or a double action cylinder. Verify that the selector valve is adjusted correctly for a single action cylinder or for a double action cylinder.

---



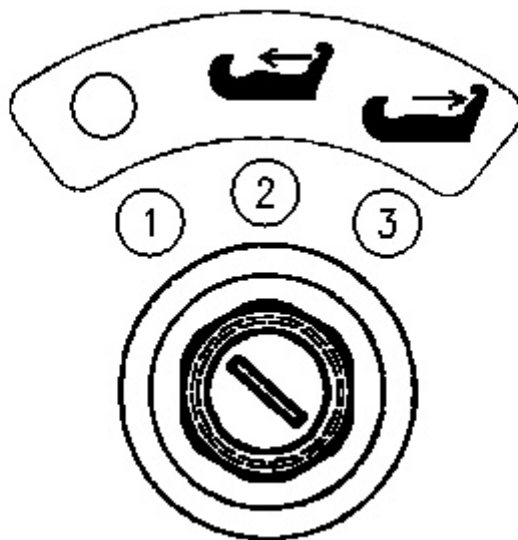
---

Illustration 1

g00673876

(A) Switch for the Quick Coupler

The switch for the hydraulic quick coupler is located rearward of the left console.



**LOCKED (1)** - This position is a neutral position. The wedge is engaged and the work tool is locked.



Turn the switch to the LOCKED position before you try to start the process or before you try to restart the process. Turn the switch to the LOCKED position in order to stop the process.

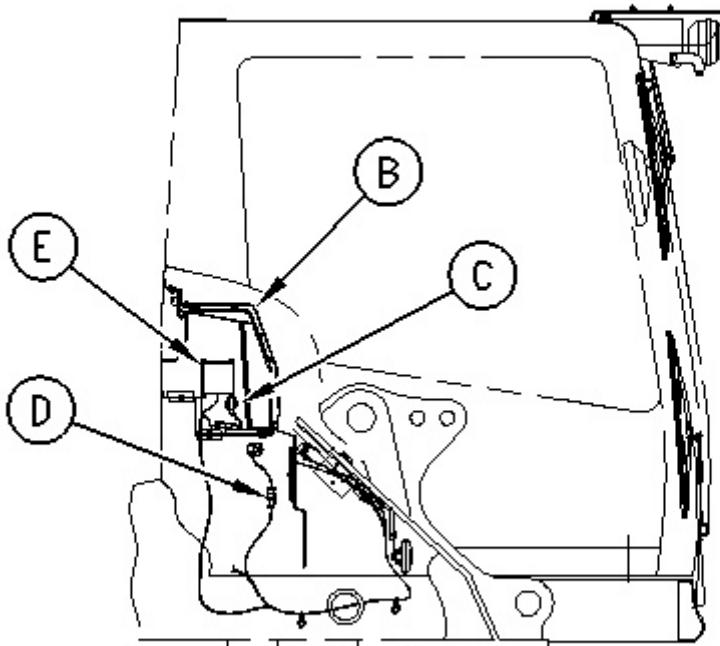
**LOCKING (2)** - The wedge is retracting and the work tool is moving from the UNLOCKED position to the LOCKED position.



**UNLOCKING (3)** - The wedge is extending in order to unlock the coupler from the work tool. During this operation, an alarm will sound.

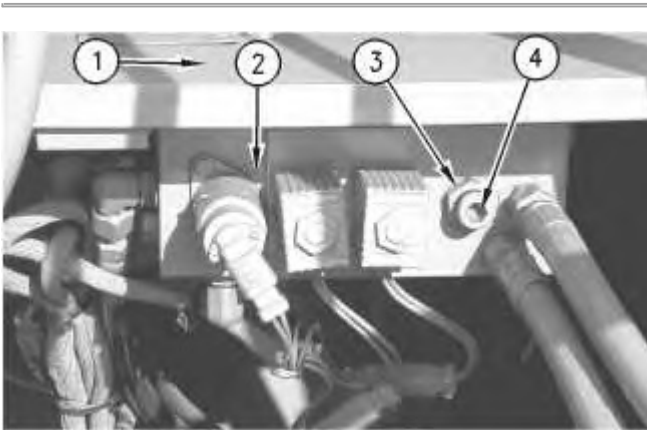


**Note:** Whenever the switch is in LOCKING position (2) or in UNLOCKING position (3), an alarm will sound.



- (B) Lunch Box
- (C) Buzzer for Quick Coupler
- (D) Harness to Switch for Quick Coupler
- (E) Overload Warning Device (If Equipped)

The buzzer for the quick coupler is located behind the right console inside the lunch box.



---

Illustration 4

- (1) Crossmember of the Upper Structure
- (2) Selector Valve
- (3) Nut
- (4) Retainer

The selector valve is located under the crossmember of the upper structure close to the swivel joint. Refer to Illustration 4.

---

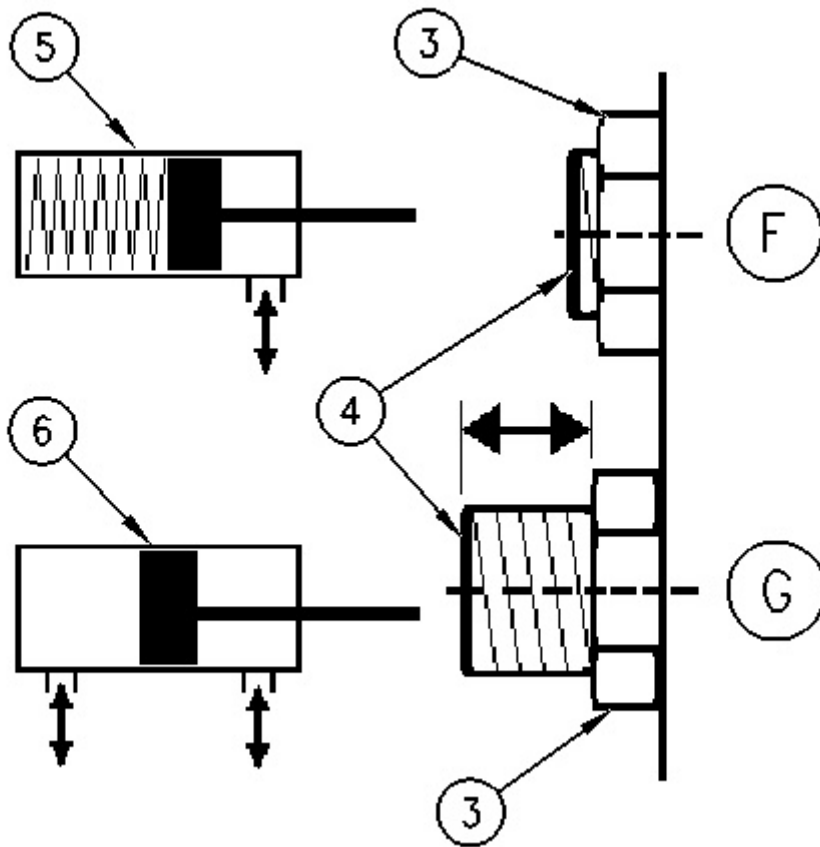


Illustration 5

g00674185

- (F) Position of Retainer for a Single Action Cylinder
- (G) Position of Retainer for a Double Action Cylinder
- (3) Nut
- (4) Retainer
- (5) Single Action Cylinder
- (6) Double Action Cylinder

If the quick coupler is equipped with a single action cylinder, the retainer must be turned clockwise to the maximum position. Refer to Illustration 5 for the proper position of the retainer.

If the quick coupler is equipped with a double action cylinder, the retainer must be turned counterclockwise to the maximum position. Refer to Illustration 5 for the proper position of the retainer.

Product: EXCAVATOR

Model: 320B L EXCAVATOR 6LW

Configuration: 320B, 320B L, 320B LN, 320B N & 320B S Excavators 6LW00001-UP (MACHINE) POWERED BY 3116 Engine

## Operation and Maintenance Manual 320B, 322B, 325B, 330B and 345B Excavators

Media Number -SEBU7269-03

Publication Date -01/09/2000

Date Updated -09/10/2001

i01132635

### Joystick Controls

SMCS - 5705

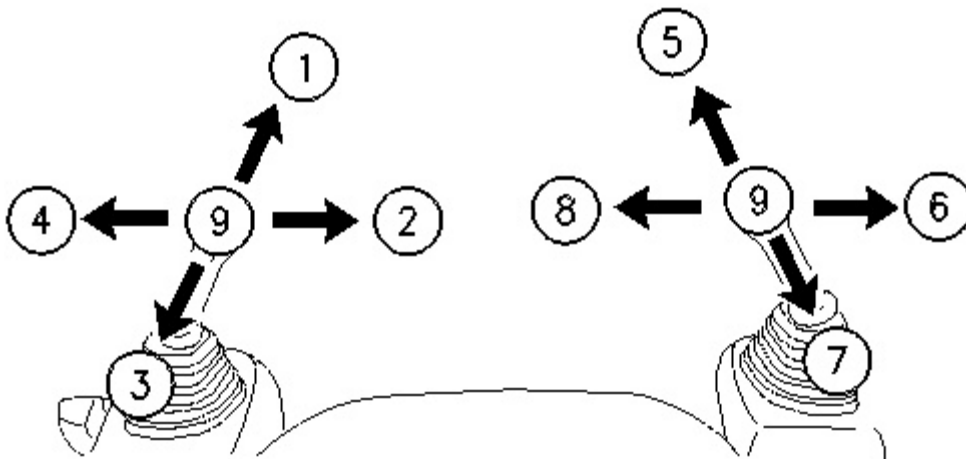


Illustration 1

g00559405

The machine control pattern can be varied by changing the hydraulic hose connections. See your Caterpillar dealer for the procedure.

The machine control pattern is initially set at the factory to the SAE system, as shown. The pattern on the left pertains to the left joystick and the pattern on the right pertains to the right joystick.

**Stick Out (1)** - Move the joystick to this position in order to move the stick outward.



**Swing Right (2)** - Move the joystick to this position in order to swing the upper structure to the right.



**Stick In (3)** - Move the joystick to this position in order to move the stick inward.



**Swing Left (4)** - Move the joystick to this position in order to swing the upper structure to the left.



**Boom Lower (5)** - Move the joystick to this position in order to lower the boom.



**Bucket Dump (6)** - Move the joystick to this position in order to dump the bucket.



**Boom Raise (7)** - Move the joystick to this position in order to raise the boom.



**Bucket Close (8)** - Move the joystick to this position in order to close the bucket.

**HOLD (9)** - When you release the joysticks from any position, the joysticks will return to the HOLD position. Movement of the upper structure will stop.

Two functions may be performed at the same time by moving a joystick diagonally.

If the machine is equipped with a hydraulic hammer, the function of position (6) and of position (8) is different.

**Hydraulic Hammer Raise (6)** - Move the joystick to this position in order to raise the hydraulic hammer.

**Hydraulic Hammer Lower (8)** - Move the joystick to this position in order to lower the hydraulic hammer.

---



**Suggest:**

**For more complete manuals. Please go to the home page.**

**<https://www.ebooklibonline.com>**

**If the above button click is invalid. Please download this document first, and then click the above link to download the complete manual.**

**Thank you so much for reading**

Product: EXCAVATOR

Model: 320B L EXCAVATOR 6LW

Configuration: 320B, 320B L, 320B LN, 320B N & 320B S Excavators 6LW00001-UP (MACHINE) POWERED BY 3116 Engine

## Operation and Maintenance Manual 320B, 322B, 325B, 330B and 345B Excavators

Media Number -SEBU7269-03

Publication Date -01/09/2000

Date Updated -09/10/2001

i01368705

### Joystick Controls

SMCS - 5705

### Coal Shovel Configuration (If Equipped)

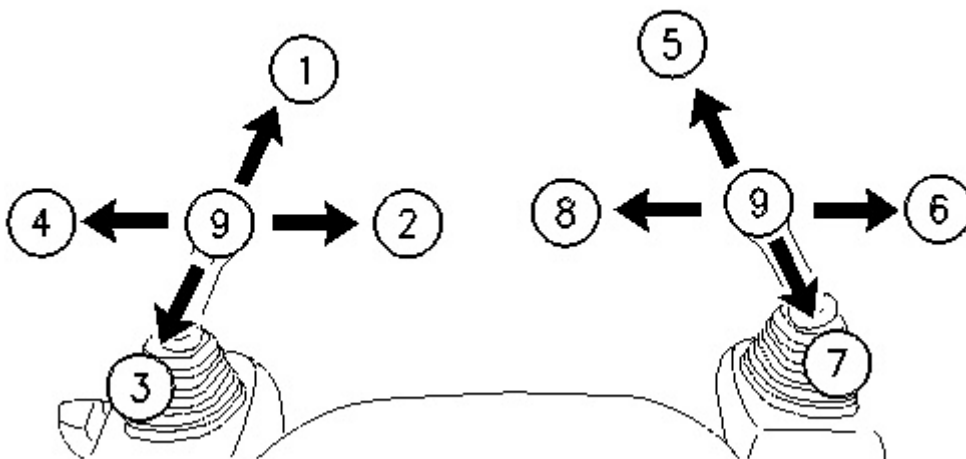


Illustration 1

g00559405

The machine control pattern can be varied by changing the hydraulic hose connections. See your Caterpillar dealer for the procedure.

The machine control pattern is initially set at the factory to the SAE system. The pattern on the left side of Illustration 1 pertains to the left joystick, and the pattern on the right pertains to the right joystick.



**Stick Out (1)** - Move the control lever to this position in order to move the stick outward.



**Stick In (3)** - Move the control lever to this position in order to move the stick inward.



**Swing Left (4)** - Move the control lever to this position in order to swing the upper structure to the left.



**Boom Lower (5)** - Move the control lever to this position in order to lower the boom.



**Bucket Dump (6)** - Move the control lever to this position in order to dump the bucket.



**Boom Raise (7)** - Move the control lever to this position in order to raise the boom.



**Bucket Close (8)** - Move the control lever to this position in order to close the bucket.

**HOLD (9)** - When the control lever is released from any position, the control lever will return to the HOLD position. Movement of the upper structure will stop.

Two functions may be performed at the same time by moving a control lever diagonally.

---

**<https://www.ebooklibonline.com>**

Hello dear friend!

Thank you very much for reading.

Enter the link into your browser.

The full manual is available for immediate download.

**<https://www.ebooklibonline.com>**