

Product: EXCAVATOR

Model: 312D L EXCAVATOR L5W

Configuration: OEM SOLUTIONS GROUP PRODUCT COMMONALITY CHART L5W00001-UP (MACHINE)

Operation and Maintenance Manual Product Identification Numbers (PIN) Location Guide

Media Number -SEBU5596-06

Publication Date -01/11/2018

Date Updated -29/02/2012

s00037320

Foreword

SMCS - 7338

Literature Information

This manual should be stored in the operator's compartment in the literature holder or seat back literature storage area.

This manual contains safety information, operation instructions, transportation information, lubrication information and maintenance information.

Some photographs or illustrations in this publication show details or attachments that can be different from your machine. Guards and covers might have been removed for illustrative purposes.

Continuing improvement and advancement of product design might have caused changes to your machine which are not included in this publication. Read, study and keep this manual with the machine.

Whenever a question arises regarding your machine, or this publication, please consult your Cat dealer for the latest available information.

Safety

The safety section lists basic safety precautions. In addition, this section identifies the text and locations of warning signs and labels used on the machine.

Read and understand the basic precautions listed in the safety section before operating or performing lubrication, maintenance and repair on this machine.

Operation

The operation section is a reference for the new operator and a refresher for the experienced operator. This section includes a discussion of gauges, switches, machine controls, attachment controls, transportation and towing information.

Photographs and illustrations guide the operator through correct procedures of checking, starting, operating and stopping the machine.

Operating techniques outlined in this publication are basic. Skill and techniques develop as the operator gains knowledge of the machine and its capabilities.

Maintenance

The maintenance section is a guide to equipment care. The Maintenance Interval Schedule (MIS) lists the items to be maintained at a specific service interval. Items without specific intervals are listed under the "When Required" service interval. The Maintenance Interval Schedule lists the page number for the step-by-step instructions required to accomplish the scheduled maintenance. Use the Maintenance Interval Schedule as an index or "one safe source" for all maintenance procedures.

Maintenance Intervals

Use the service hour meter to determine servicing intervals. Calendar intervals shown (daily, weekly, monthly, etc.) can be used instead of service hour meter intervals if they provide more convenient servicing schedules and approximate the indicated service hour meter reading. Recommended service should always be performed at the interval that occurs first.

Under extremely severe, dusty or wet operating conditions, more frequent lubrication than is specified in the maintenance intervals chart might be necessary.

Perform service on items at multiples of the original requirement. For example, at every 500 service hours or 3 months, also service those items listed under every 250 service hours or monthly and every 10 service hours or daily.

California Proposition 65 Warning

Diesel engine exhaust and some of its constituents are known to the State of California to cause cancer, birth defects, and other reproductive harm.

Battery posts, terminals and related accessories contain lead and lead compounds. **Wash hands after handling.**

Certified Engine Maintenance

Proper maintenance and repair is essential to keep the engine and machine systems operating correctly. As the heavy duty off-road diesel engine owner, you are responsible for the performance of the required maintenance listed in the Owner Manual, Operation and Maintenance Manual, and Service Manual.

It is prohibited for any person engaged in the business of repairing, servicing, selling, leasing, or trading engines or machines to remove, alter, or render inoperative any emission related device or element of design installed on or in an engine or machine that is in compliance with the

regulations (40 CFR Part 89). Certain elements of the machine and engine such as the exhaust system, fuel system, electrical system, intake air system and cooling system may be emission related and should not be altered unless approved by Caterpillar.

Machine Capacity

Additional attachments or modifications may exceed machine design capacity which can adversely affect performance characteristics. Included would be stability and system certifications such as brakes, steering, and rollover protective structures (ROPS). Contact your Cat dealer for further information.

Cat Product Identification Number

Effective First Quarter 2001 the Cat Product Identification Number (PIN) has changed from 8 to 17 characters. In an effort to provide uniform equipment identification, Caterpillar and other construction equipment manufacturers are moving to comply with the latest version of the product identification numbering standard. Non-road machine PINs are defined by ISO 10261. The new PIN format will apply to all Cat machines and generator sets. The PIN plates and frame marking will display the 17 character PIN. The new format will look like the following:



Illustration 1

g00751314

Where:

1. Caterpillar's World Manufacturing Code (characters 1-3)
2. Machine Descriptor (characters 4-8)
3. Check Character (character 9)
4. Machine Indicator Section (MIS) or Product Sequence Number (characters 10-17). These were previously referred to as the Serial Number.

<https://www.ebooklibonline.com>

Hello dear friend!

Thank you very much for reading.

Enter the link into your browser.

The full manual is available for immediate download.

<https://www.ebooklibonline.com>

Machines and generator sets produced before First Quarter 2001 will maintain their 8 character PIN format.

Components such as engines, transmissions, axles, etc. and work tools will continue to use an 8 character Serial Number (S/N).

Product: EXCAVATOR

Model: 312D L EXCAVATOR L5W

Configuration: OEM SOLUTIONS GROUP PRODUCT COMMONALITY CHART L5W00001-UP (MACHINE)

Operation and Maintenance Manual Product Identification Numbers (PIN) Location Guide

Media Number -SEBU5596-06

Publication Date -01/11/2018

Date Updated -29/02/2012

i04748521

General Information

SMCS - 1000; 7000

This publication contains information that can be used to aid law enforcement officials, insurance investigators, and other agents that are involved with the recovery of stolen / missing Caterpillar products.

The actual Product Identification Numbers (PIN), or Serial Numbers (SN) plates and or Films may not be shown. However, the general location will be pointed out and/or a brief description will be given for different products. Examples of various identification and information plates will be given.

Caterpillar maintains a database of all stolen/missing products that have been reported to Caterpillar Global Security. Law enforcement personnel can receive information on machines that are in this system. Contact Caterpillar Global Security at the following address. Using the information provided below.

Reporting Stolen / Missing Equipment

All inquiries can be directed to :

Caterpillar Inc.

Global Security-Heavy Equipment Theft Awareness Program

HEINV@CAT.COM

(309) 675-1233

Attention: Global Security

100 N.E. Adams St.

Peoria, Illinois

61629-0380

Product: EXCAVATOR

Model: 312D L EXCAVATOR L5W

Configuration: OEM SOLUTIONS GROUP PRODUCT COMMONALITY CHART L5W00001-UP (MACHINE)

Operation and Maintenance Manual Product Identification Numbers (PIN) Location Guide

Media Number -SEBU5596-06

Publication Date -01/11/2018

Date Updated -29/02/2012

i04748051

Types of Identification Numbers

SMCS - 1000; 7000

Product Identification Numbers (PIN)

Manufacturers of earthmoving equipment use a Product Identification Number (PIN) in order to identify the products. Product Identification Number or PIN is a common term that is used throughout the industry.

Caterpillar will use the PIN, instead of a serial number, on all powered machines as well as Electrical Power Generation Equipment (EPG). The PIN will have the same prefix and will continue in the same sequence as the previous serial numbers. Serial numbers (SN) will continue to be used in order to identify Cat lift trucks and attachments.

Model Numbers

All Cat machines display the corporate symbol and have model numbers, which consist of a series of numbers. These numbers are often preceded and/or followed by a letter or letters.

Serial Numbers

Caterpillar products that are not designed for an operator to ride and Electrical Power Generation Equipment (EPG) are identified by serial numbers. Some of these products are engines, work tools, and transmissions. Additionally, Cat lift trucks and all Cat attachments are identified by serial numbers. All serial numbers are cross referenced to the PIN, which can be identified by the serial number.

The Operation and Maintenance Manual for the machine will show a picture of the PIN location. The Operation and Maintenance Manual is shipped from the factory with each machine. The Operation and Maintenance Manual will normally be located in the operator's compartment and will be attached to the machine with a steel lanyard.

Product: EXCAVATOR

Model: 312D L EXCAVATOR L5W

Configuration: OEM SOLUTIONS GROUP PRODUCT COMMONALITY CHART L5W00001-UP (MACHINE)

Operation and Maintenance Manual Product Identification Numbers (PIN) Location Guide

Media Number -SEBU5596-06

Publication Date -01/11/2018

Date Updated -29/02/2012

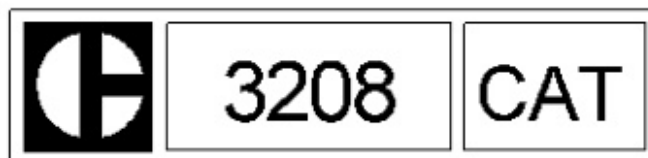
i04748109

Types of Labels and Plates

SMCS - 1000; 7000

Every Cat machine has some labels and/or films and/or Identification plates. The numbers that are on the labels, films and/or on the plates are necessary when you are tracing equipment.

Model Number



966G

Typical examples

The model number is clearly displayed on the machine. Some labels may include the corporate label. Some labels are printed in a black stripe with white letters.

Old Plate for the Product Identification Number

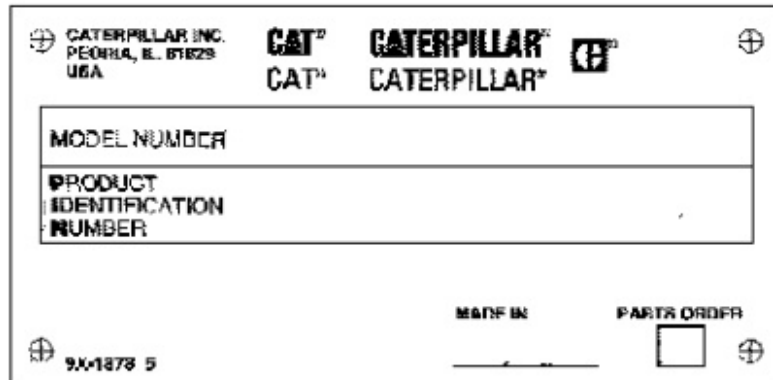


Illustration 2

g02848881


PIN Plate

The plate for the PIN has a black background with white letters.

CATERPILLAR INC
PEORIA, IL 61629
USA

CAT[®]
CAT[®]

CATERPILLAR[®]
CATERPILLAR[®]



MODEL NUMBER

PRODUCT IDENTIFICATION NUMBER



	Model Number	Serial Number	Arrangement Number
			
			

Illustration 3

g02850218

Some machines are equipped with a plate that includes the PIN, the Engine Serial Number, and the Transmission Serial Number.

SERIAL NUMBER

Model

MOTOR GRADER

Illustration 4

g02850278

Serial Number Plate that is found on older machines

New Plate for the Product Identification Number

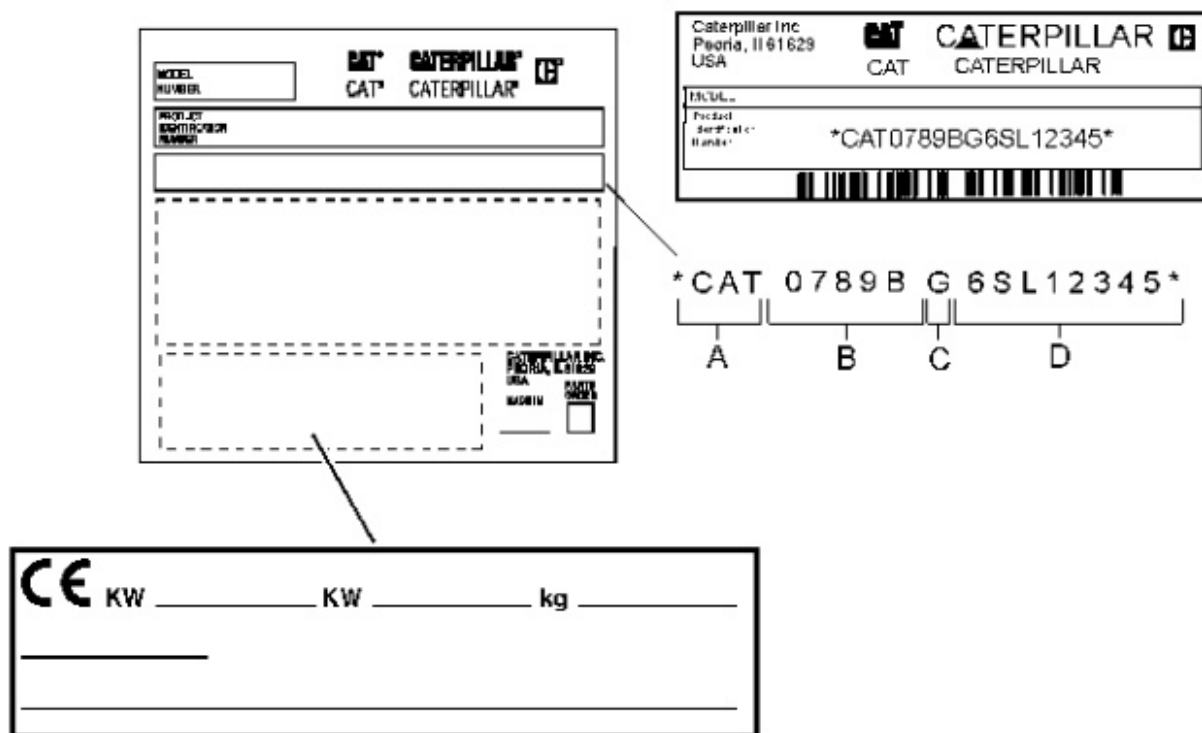


Illustration 5

g02845017

A new Product Identification Number (PIN) is used on newer machines. That includes a new system for identification that uses 17 characters.

- (A) This section includes the World Manufacturing Code.
- (B) This section includes the Machine Descriptor.
- (C) This section includes the Check Character.
- (D) This section includes the Previous Sequence Number.

CE Plate

This plate is positioned on the bottom left side of plate (1) for the PIN.

Note: The CE plate is on machines that are certified to the European Union requirements that were effective at that time.

For machines compliant to 2006/42/EC, the following information is stamped onto the CE plate.

Service Information Number Plate



CATERPILLAR		CAT	
MODEL NUMBER	NUMBER		ARRANGEMENT NUMBER
MACHINE	P I N	SERIAL	
ENGINE			
TRANSMISSION			
CATERPILLAR INC. GENERAL OFFICES PEORIA IL MADE IN UNITED STATES OF AMERICA			

Illustration 6

g02848884

Typical Service Information Number plate

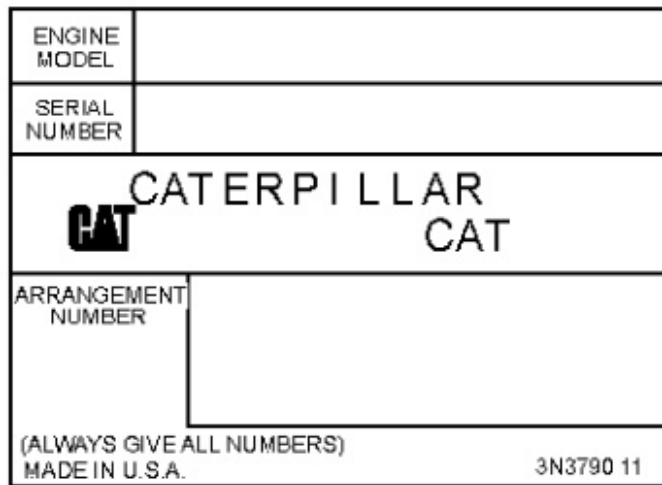
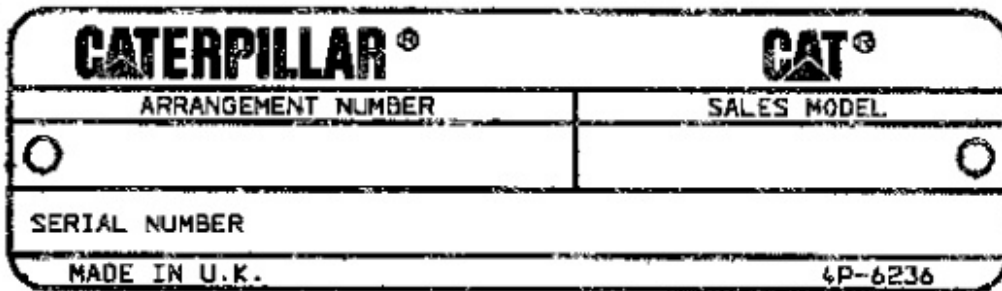
This plate has the PIN and the serial numbers of the engine and the transmission. This is an optional plate. This plate is located in the operator compartment, if equipped.

			
SER NO		DATE DELIVERED	
MODIFICATION NO		DLR CODE	
AR NO		PFRF SPEC	MAX ALT
OEM NO			
FULL LOAD STATIC FUEL		FULL TORQ STATIC FUEL	
POWER		A/F RATIO DYNAMIC	
BARE ENG HIGH IDLE RPM		FULL LOAD RPM	FUEL TIMING

Typical plate for the Service Information Number

Serial Number Plate

This plate is used on Cat equipment that is not designed for an operator to ride. Some examples are engines and transmissions. This plate is also used on Cat lift trucks and all Cat attachments.



Typical engine serial number plate

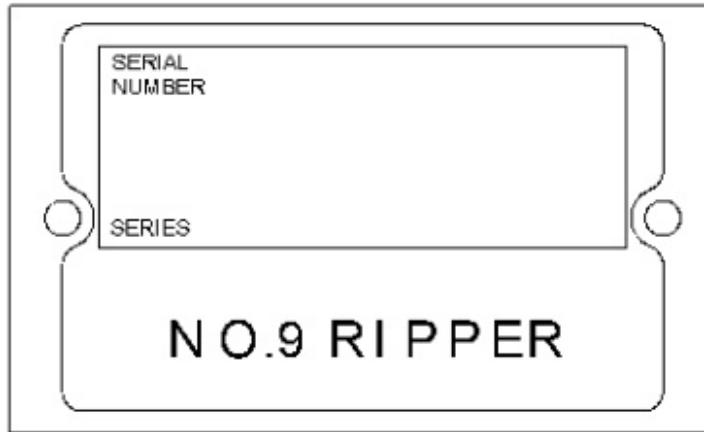


Illustration 10

g02850376

Typical serial number plate that is used on attachments

Product: EXCAVATOR

Model: 312D L EXCAVATOR L5W

Configuration: OEM SOLUTIONS GROUP PRODUCT COMMONALITY CHART L5W00001-UP (MACHINE)

Operation and Maintenance Manual Product Identification Numbers (PIN) Location Guide

Media Number -SEBU5596-06

Publication Date -01/11/2018

Date Updated -29/02/2012

i04724165

Articulated Truck

SMCS - 7000

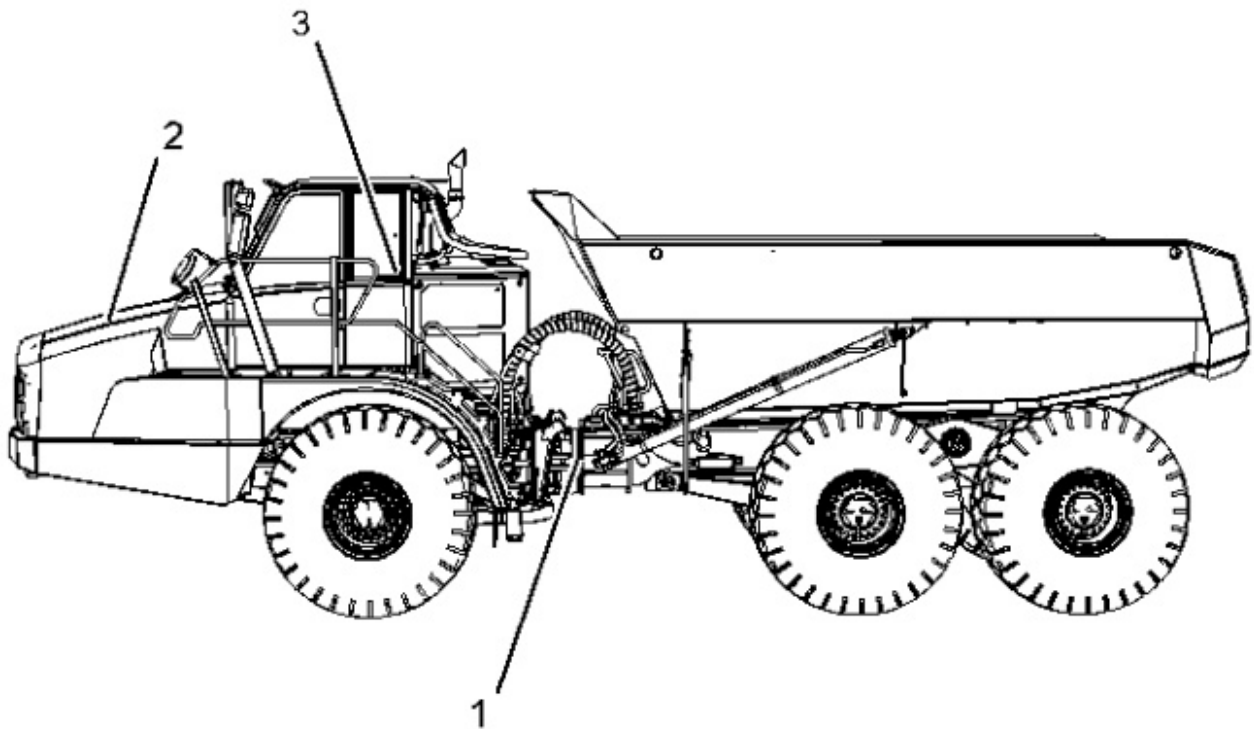


Illustration 1

g02825816

The CE plate is located on PIN plate (1) when required.

PIN plate (1) is located on the left rear of the frame.

Engine Serial Number plate (2) is located on the right side of the engine.

The service information plate (3) is located in the operators compartment.

Product: EXCAVATOR

Model: 312D L EXCAVATOR L5W

Configuration: OEM SOLUTIONS GROUP PRODUCT COMMONALITY CHART L5W00001-UP (MACHINE)

Operation and Maintenance Manual Product Identification Numbers (PIN) Location Guide

Media Number -SEBU5596-06

Publication Date -01/11/2018

Date Updated -29/02/2012

i01514686

Asphalt Paver

SMCS - 7000

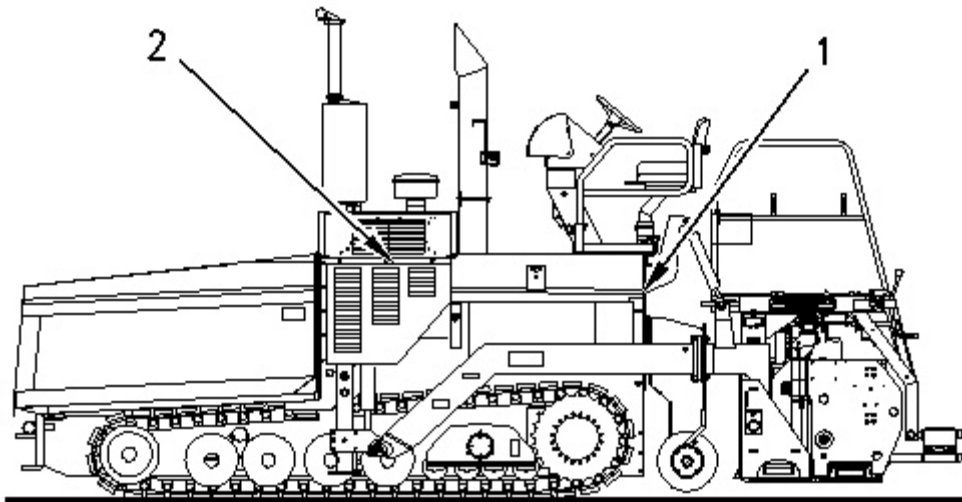


Illustration 1

g00786058

The Product Identification Number (PIN) (1) is located on the rear of the main frame.

The serial number plate (2) for the engine is located on the side of the engine cylinder block.

Product: EXCAVATOR

Model: 312D L EXCAVATOR L5W

Configuration: OEM SOLUTIONS GROUP PRODUCT COMMONALITY CHART L5W00001-UP (MACHINE)

Operation and Maintenance Manual Product Identification Numbers (PIN) Location Guide

Media Number -SEBU5596-06

Publication Date -01/11/2018

Date Updated -29/02/2012

i04762676

Asphalt Screed

SMCS - 7000

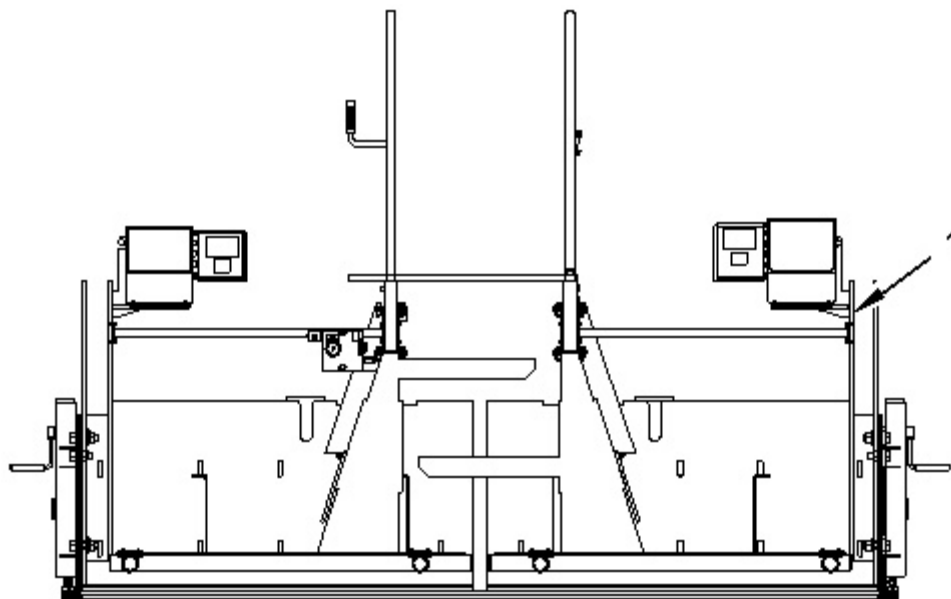


Illustration 1

g00786256

The serial number plate (1) is located on the right side of the screed.



Suggest:

For more complete manuals. Please go to the home page.

<https://www.ebooklibonline.com>

If the above button click is invalid. Please download this document first, and then click the above link to download the complete manual.

Thank you so much for reading

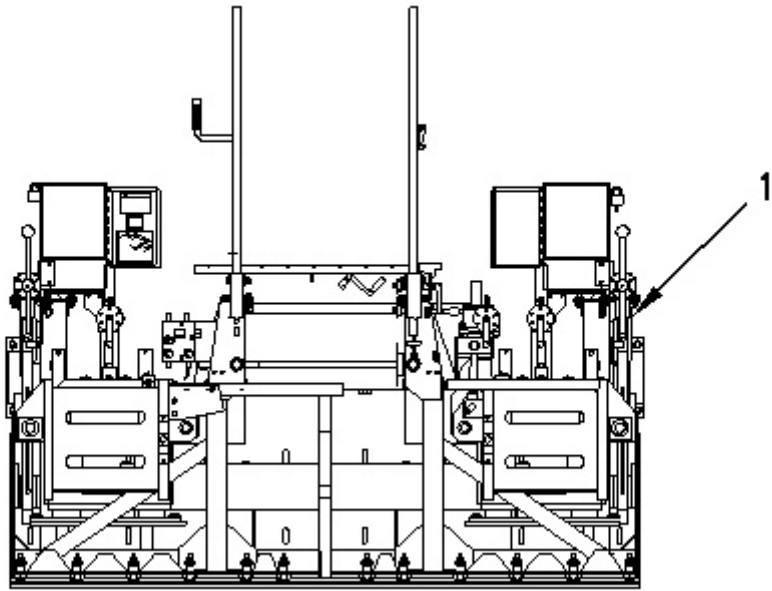


Illustration 2

g00786269

The serial number plate (1) for the screed is located on the right extender.

Product: EXCAVATOR

Model: 312D L EXCAVATOR L5W

Configuration: OEM SOLUTIONS GROUP PRODUCT COMMONALITY CHART L5W00001-UP (MACHINE)

Operation and Maintenance Manual Product Identification Numbers (PIN) Location Guide

Media Number -SEBU5596-06

Publication Date -01/11/2018

Date Updated -29/02/2012

i04730638

Backhoe Loader

SMCS - 7000

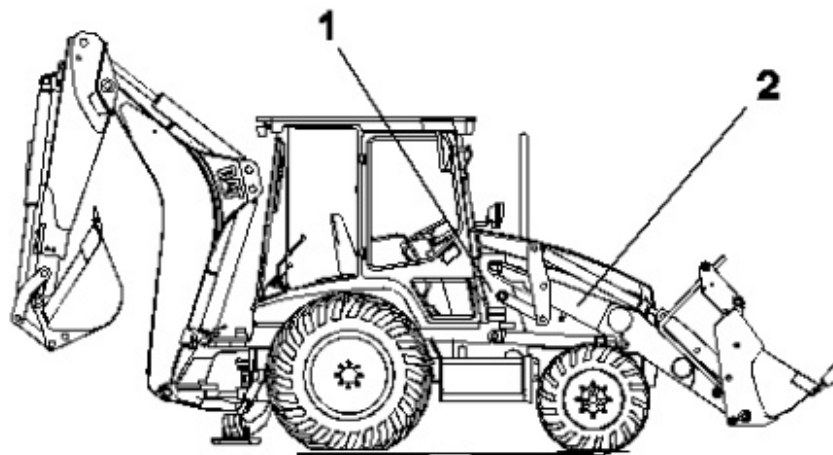


Illustration 1

g02875958

The CE plate is located on the PIN plate (1) when required.

PIN Plate (1) is located on the left side of the machine.

The serial number plate (2) for the engine is located on the side of the engine block.

<https://www.ebooklibonline.com>

Hello dear friend!

Thank you very much for reading.

Enter the link into your browser.

The full manual is available for immediate download.

<https://www.ebooklibonline.com>