

Product: TRACK-TYPE TRACTOR

Model: D5 TRACK-TYPE TRACTOR 98J

Configuration: D5 TRACTOR - SPECIAL APPLICATION 98J00001-01133 (MACHINE)

Disassembly and Assembly N3 Series Brushless Alternators

Media Number -SEN2082-01

Publication Date -01/03/2002

Date Updated -12/03/2002

i01688996

Alternator - Assemble

SMCS - 1405-016

Assembly Procedure

Table 1

Tooling that is needed		A	B
	Soldering iron (180 watt)		
	Vise or clamping support with vee blocks		
	Press		
8H-8581	Feeler Gauges	3	
1P-0510	Driver Set		1
1P-0466	Plate		1
1P-0529	Handle		1
6L-5897	Bolt		1

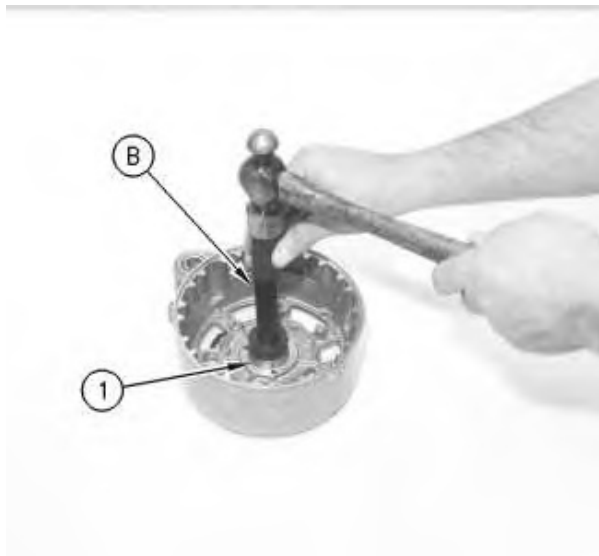


Illustration 1

g00871248

1. Install the roller bearing (1) with tooling (B) .

Note: If necessary, apply grease to the bearing.

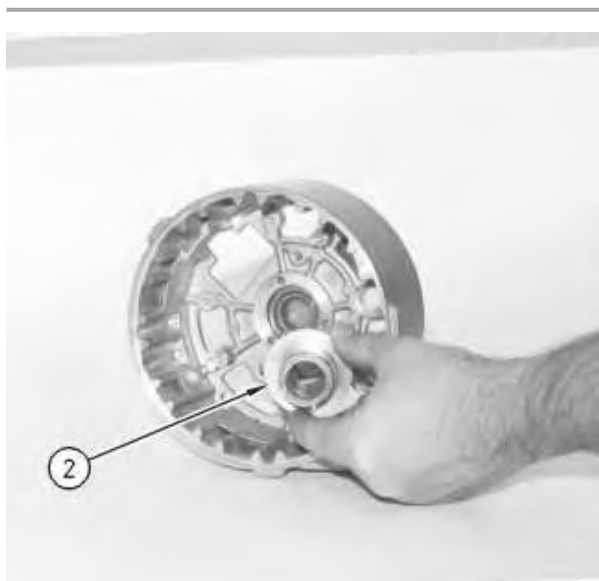


Illustration 2

g00871460

2. Install the ring (2) in the rear frame.
-

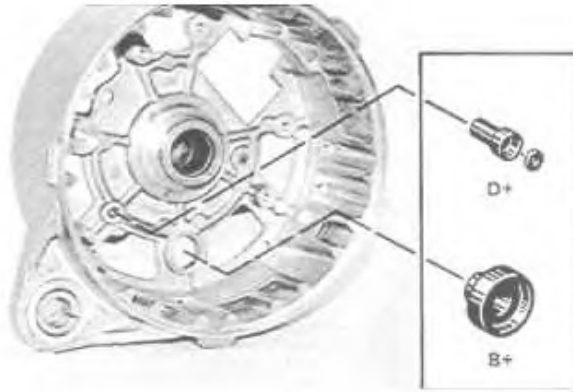


Illustration 3

g00871252

3. Install the insulators for terminal "B+" and terminal "D+".

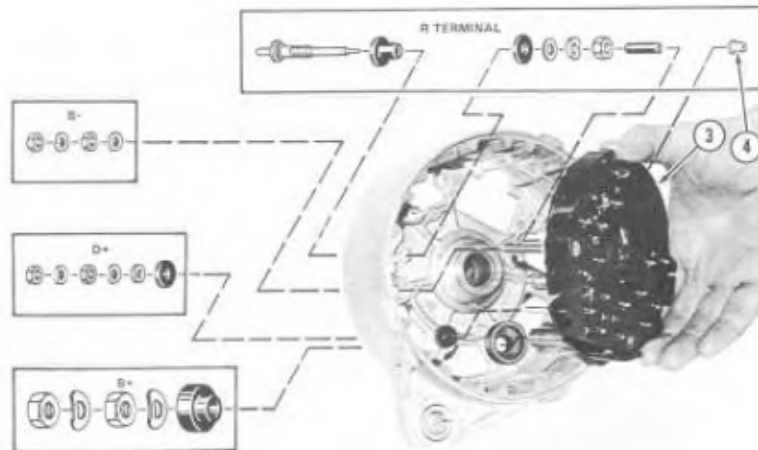


Illustration 4

g00871347

4. Install the "R" terminal, if the "R" terminal was replaced.
 5. Install the rectifier (3) in the rear frame.
 6. Install the two screws. Solder the sleeve (4) over terminal "R".
 7. Install the following components on terminals: "D+", "B+" and B-: terminal insulators, washers and nuts.
-

<https://www.ebooklibonline.com>

Hello dear friend!

Thank you very much for reading.

Enter the link into your browser.

The full manual is available for immediate download.

<https://www.ebooklibonline.com>

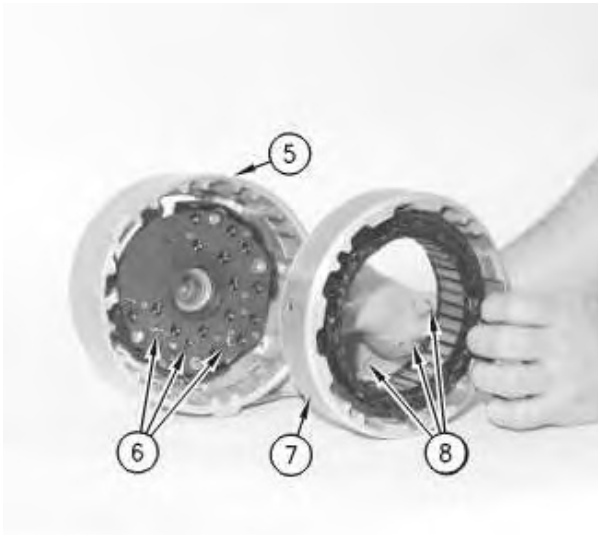


Illustration 5

g00871376

8. Position the stator frame (7) on the rear frame (5). Use the marks on the alternator that were made in the disassembly procedure for alignment.



Illustration 6

g00871382

9. Solder the leads for the stator winding (8) to the terminals for the rectifier (6) .
-

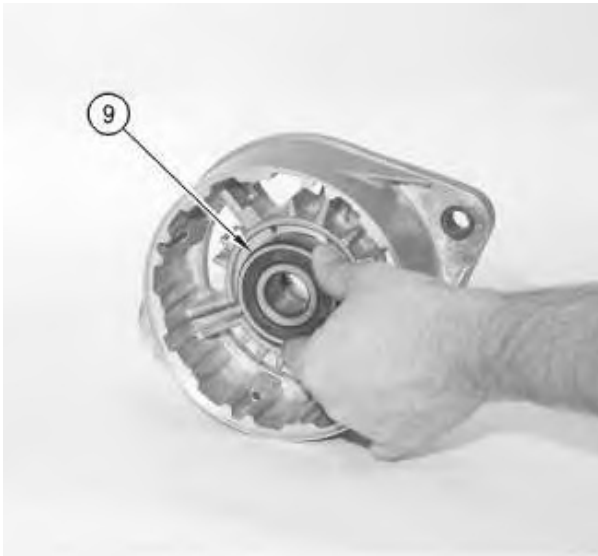


Illustration 7

g00871385

10. Install the bearing (9) in the rear frame.

Note: The bearing is a loose fit.

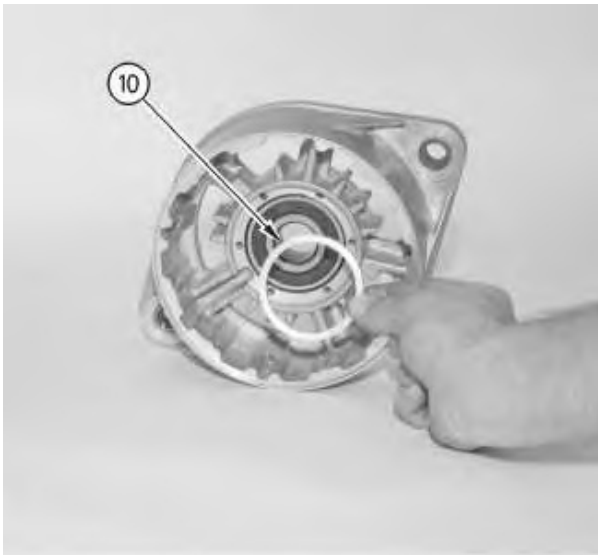


Illustration 8

g00871389

11. Install the intermediate ring (10) .

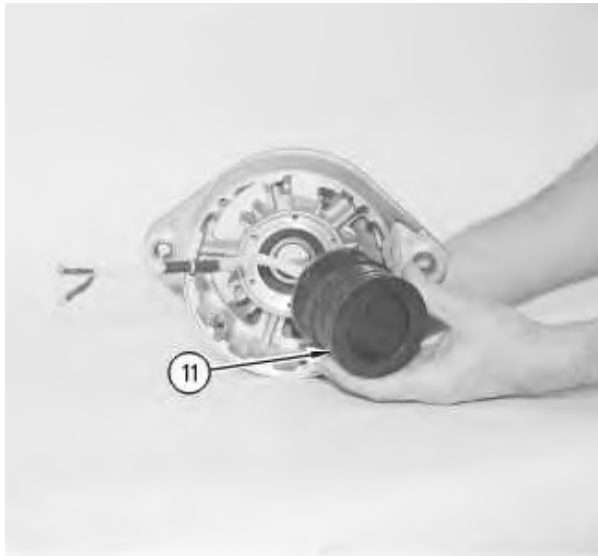


Illustration 9

g00871402

12. Install the field winding (11). The leads for the winding must fit in the deep groove. Install the six screws on the reverse side of the frame.
13. Apply the epoxy putty **5P-3321** Adhesive over the lead and the groove.

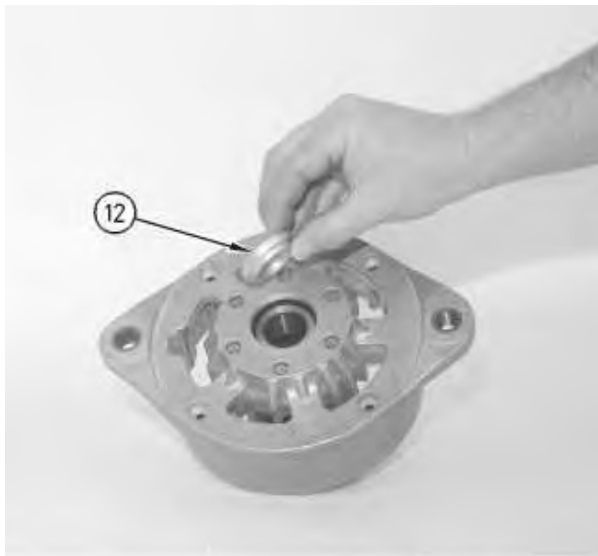


Illustration 10

g00871407

14. Install the spacer ring (12) .

NOTICE

In the next step you must support the spacer ring. The spacer ring is supported in order to support the bearing inner race.

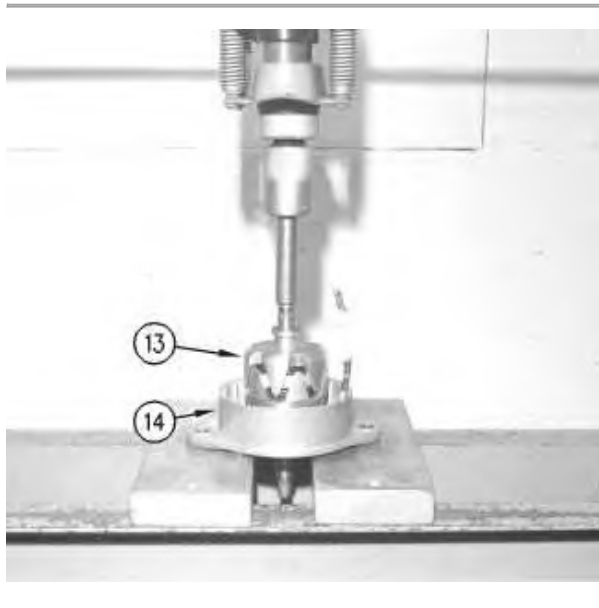


Illustration 11

g00871415

15. Install the rotor assembly (13) in the drive end frame (14).



Illustration 12

g00871417

16. Heat the bearing race (15) to 135 °C (275 °F). Install the bearing race on the shaft.
-

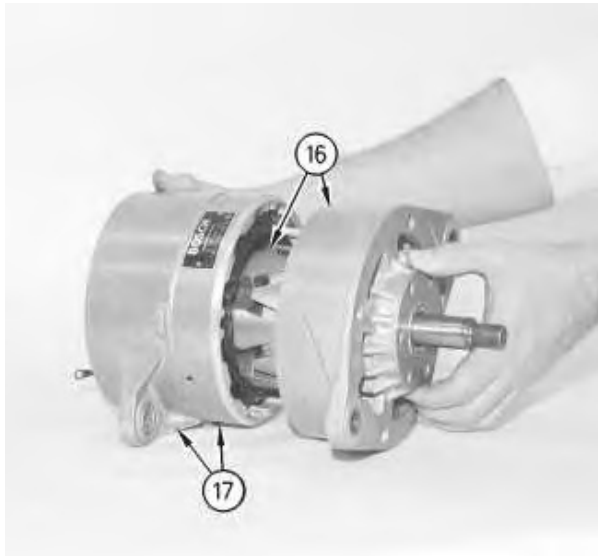


Illustration 13

g00871447

17. Connect the drive end and the rotor (16) to the rear housing and the stator frame (17). The marks that were made during the disassembly procedure will help align the alternator. Install the four hex socket screws. **Do Not Tighten the hex socket screws.**

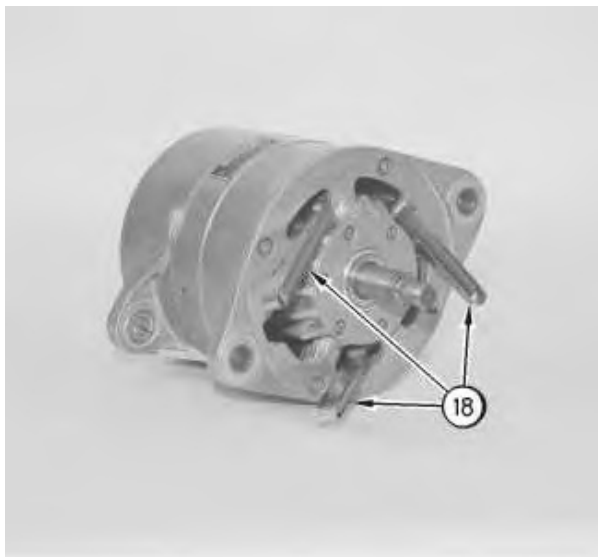


Illustration 14

g00871452

18. Insert three 0.3 mm (0.01 inch) feeler gauges (18) between the rotor and the stator. Tighten the screws to a torque of $4.8 \pm .7$ N·m ($3.5 \pm .5$ lb ft).



Suggest:

For more complete manuals. Please go to the home page.

<https://www.ebooklibonline.com>

If the above button click is invalid. Please download this document first, and then click the above link to download the complete manual.

Thank you so much for reading

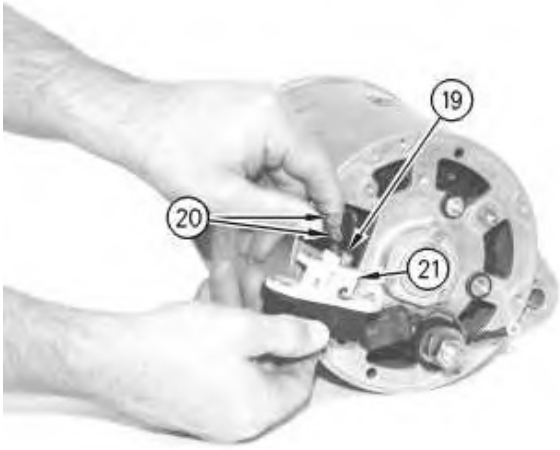


Illustration 15

g00871457

19. Connect the lead for the field coil to the regulator (21). The screw is large in diameter (19) .
20. Connect the lead for the rectifier and the remaining lead for the field coil (20) to the regulator terminal.

Note: In order to maintain the proper polarity, one lead for the field coil has a hole that is small in diameter.

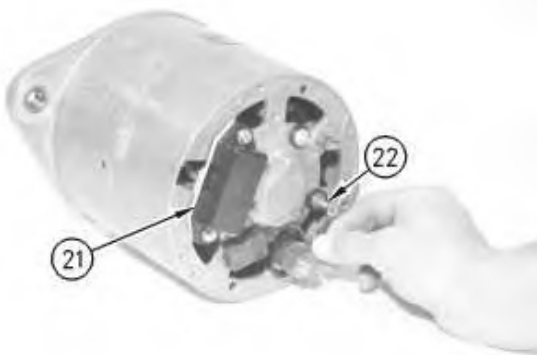


Illustration 16

g00871458

21. Install the regulator (21) on the rear frame assembly. Install the two screws for the regulator.
 22. Install the lead for the suppression capacitor on the "D+" terminal (22) .
-



Illustration 17

g00871459

23. Install the regulator cover (23). Install the screws for the regulator cover.
-

<https://www.ebooklibonline.com>

Hello dear friend!

Thank you very much for reading.

Enter the link into your browser.

The full manual is available for immediate download.

<https://www.ebooklibonline.com>