

Product: VIBRATORY COMPACTOR

Model: CB-434D VIBRATORY COMPACTOR CNH

Configuration: CB-434D CB-434DXW Vibratory Compactor CNH00001-UP (MACHINE) POWERED BY 3054C Engine

## Disassembly and Assembly 3054C Engines for Caterpillar Built Machines

Media Number -SEN5069-18

Publication Date -01/05/2015

Date Updated -19/09/2018

i02294259

# Crankshaft Front Seal - Install

SMCS - 1160-012

## Installation Procedure

Table 1

Required Tools			
Tool	Part Number	Part Description	Qty
A	9U-6210	Front Seal Installer	1

---

### NOTICE

**Keep all parts clean from contaminants.**

**Contaminants may cause rapid wear and shortened component life.**

---

**Note:** This procedure assumes that the housing (front) is still on the engine. Do not follow this procedure if the housing (front) has been removed from the engine. Refer to this Disassembly and Assembly Manual, "Housing (Front) - Install" if the housing (front) has been removed from the engine.

1. Clean the oil seal housing (8) and inspect the oil seal housing for damage. If necessary, replace the housing (front). Refer to this Disassembly and Assembly Manual, "Housing (Front) - Remove and Housing (Front) - Install".
2. Check the face on the pulley that contacts the crankshaft front seal for wear. If necessary, repair the crankshaft pulley. Refer to this Disassembly and Assembly Manual, "Crankshaft Wear Sleeve (Front) - Remove and Crankshaft Wear Sleeve (Front) - Install" for further details.

**Note:** A sleeve (5) is attached to the new crankshaft front seal (6). Do not remove the sleeve (5) at this time. Discard the new crankshaft front seal (6) if the sleeve (5) is not installed on the new crankshaft front seal.

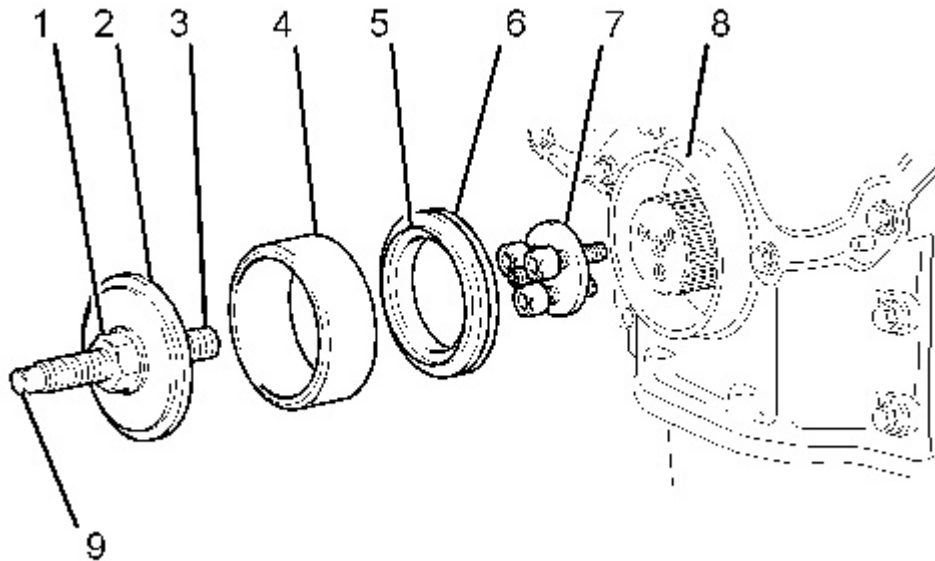


Illustration 1

g01148784

The Tooling (A) includes items 1, 2, 3, 4, 7 and 9.

3. Install the fastener plate (7) onto the front of the crankshaft. Install the nut (1) and the pressure plate (2) onto the threaded bar (3).

**Note:** Do not lubricate the crankshaft front seal (6). Do not lubricate the oil seal housing (8).

---

## NOTICE

**Ensure that the lip of the crankshaft front seal that is spring loaded is facing toward the inside of the front housing and that it is square with the bore of the housing for the crankshaft front seal.**

---

4. Align the assembly of the sleeve (5) and the crankshaft front seal (6) to the front of the oil seal housing (8).
5. Install the adapter (4) onto the sleeve (5).
6. Install the pressure plate (2) onto the adapter (4) and tighten the threaded bar (3) onto the fastener plate (7). Check the alignment of the assembly and the crankshaft front seal (6) to the oil seal housing (8).
7. Insert a suitable rod through the hole (9) in the threaded bar (3) in order to prevent the threaded rod from turning as the nut (1) is tightened. Tighten the nut (1) in order to push the

crankshaft front seal (6) into the oil seal housing (8). Continue to tighten the nut (1) until contact is made with the bottom face of the oil seal housing (8).

8. Turn the sleeve (5) counterclockwise and pull the sleeve at the same time in order to remove the sleeve from the oil seal housing (8). Remove the adapter (7).
  9. Immediately install the crankshaft pulley. Refer to this Disassembly and Assembly Manual, "Crankshaft Pulley - Remove and Install".
-

**<https://www.ebooklibonline.com>**

Hello dear friend!

Thank you very much for reading.

Enter the link into your browser.

The full manual is available for immediate download.

**<https://www.ebooklibonline.com>**

Product: VIBRATORY COMPACTOR

Model: CB-434D VIBRATORY COMPACTOR CNH

Configuration: CB-434D CB-434DXW Vibratory Compactor CNH00001-UP (MACHINE) POWERED BY 3054C Engine

## Disassembly and Assembly 3054C Engines for Caterpillar Built Machines

Media Number -SEN5069-18

Publication Date -01/05/2015

Date Updated -19/09/2018

i02294796

# Front Cover - Remove and Install

SMCS - 1166-010

## Removal Procedure

### Start By:

- a. Remove the water pump. Refer to Disassembly and Assembly, "Water Pump - Remove and Install".

**Note:** It is not necessary to remove the fan, the crankshaft pulley or the alternator in order to remove the front cover. The fan, the crankshaft pulley and the alternator have been removed for illustration purposes.

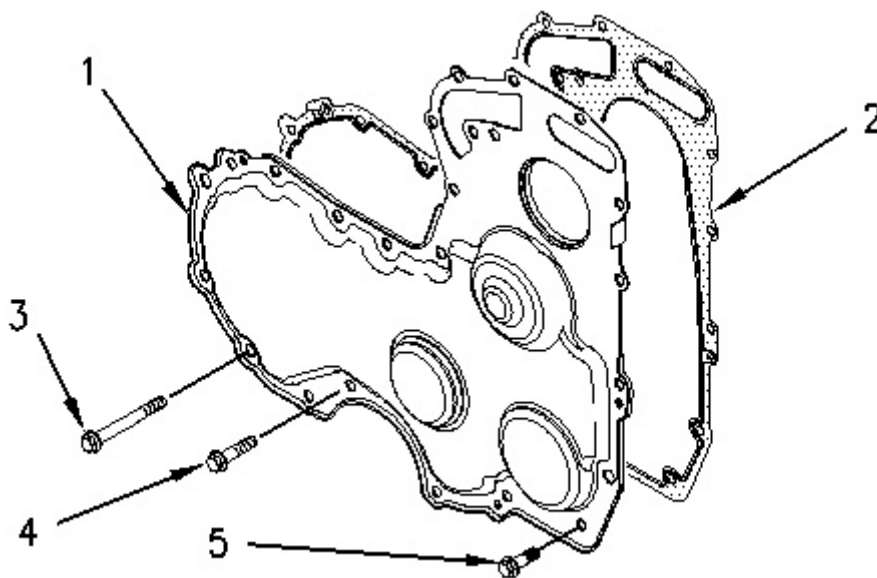


Illustration 1

g00955548

1. Remove the setscrews (3) and the setscrews (4). Remove the setscrew (5) from the front cover (1).
2. Remove the front cover from the front housing.
3. Remove the gasket (2) from the front cover and the front housing. Discard the gasket.

## Installation Procedure

Table 1

Required Tools			
Tool	Part Number	Part Description	Qty
A	-	Guide Bolt (M8 x 1.25 x 70mm)	2

1. Clean all surfaces of the front housing and clean the front cover thoroughly.

**Note:** Do not use sealant on the gasket for the front cover.

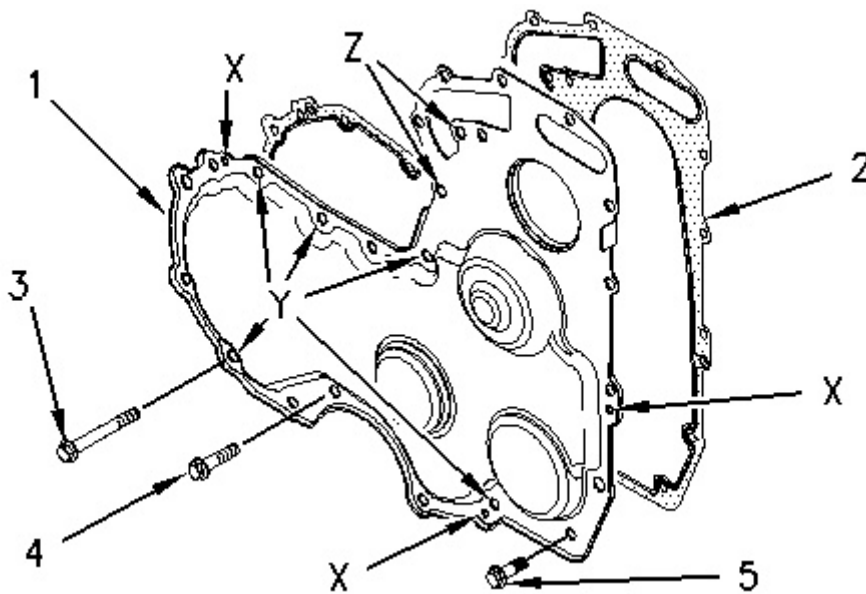


Illustration 2

g00955554

2. Position the gasket (2) on the front cover (1).
 

**Note:** The gasket is located by three locating dowels at Location (X) on the front cover.
3. Install the Tooling (A) in the front housing at Location (Z).
4. Position the front cover (1) and the gasket (2) on the front housing. Install the setscrews (3) in Location (Y). Install the setscrews (4) and the setscrew (5). Tighten the setscrews to a torque of 22 N·m (16 lb ft).

**End By:**

- a. Install the water pump. Refer to Disassembly and Assembly, "Water Pump - Remove and Install".
-

Product: VIBRATORY COMPACTOR

Model: CB-434D VIBRATORY COMPACTOR CNH

Configuration: CB-434D CB-434DXW Vibratory Compactor CNH00001-UP (MACHINE) POWERED BY 3054C Engine

## Disassembly and Assembly 3054C Engines for Caterpillar Built Machines

Media Number -SEN5069-18

Publication Date -01/05/2015

Date Updated -19/09/2018

i01875845

# Idler Gear - Remove and Install - Delphi DP210 Fuel Injection Pump

SMCS - 1206

## Removal Procedure

Table 1

Required Tools			
Tool	Part Number	Part Name	Qty
A	9U-6198	Crankshaft Turning Tool	1
B	230-6284	Timing Pin (Camshaft)	1
C	230-6283	Timing Pin (Crankshaft)	1
D	1P-2320	Combination Puller	1
E	1P-0510	Driver Group	1

### Start By:

- a. Remove the crankshaft pulley. Refer to Disassembly and Assembly, "Crankshaft Pulley - Remove and Install".
- b. Remove the front cover. Refer to Disassembly and Assembly, "Front Cover - Remove and Install".

---

### NOTICE

**Keep all parts clean from contaminants.**

**Contaminants may cause rapid wear and shortened component life.**

---

---

## NOTICE

Care must be taken to ensure that fluids are contained during performance of inspection, maintenance, testing, adjusting, and repair of the product. Be prepared to collect the fluid with suitable containers before opening any compartment or disassembling any component containing fluids.

Refer to Special Publication, NENG2500, "Dealer Service Tool Catalog" for tools and supplies suitable to collect and contain fluids on Cat products.

Dispose of all fluids according to local regulations and mandates.

---

1. Use Tooling (A) to ensure that the No. 1 cylinder is at the top center compression stroke. Refer to Testing and Adjusting, "Finding Top Center Position for No. 1 Piston".

**Note:** Install Tooling (B) through the camshaft gear. Install Tooling (C) into the crankshaft web.

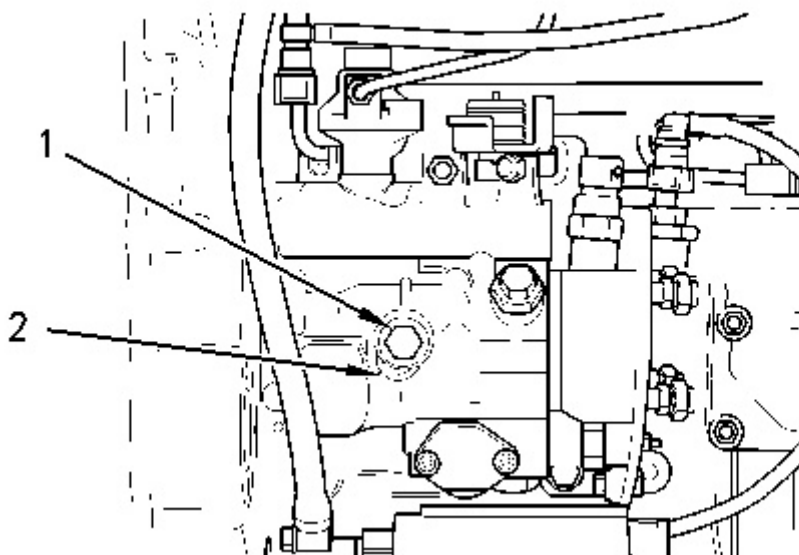
---

---

## NOTICE

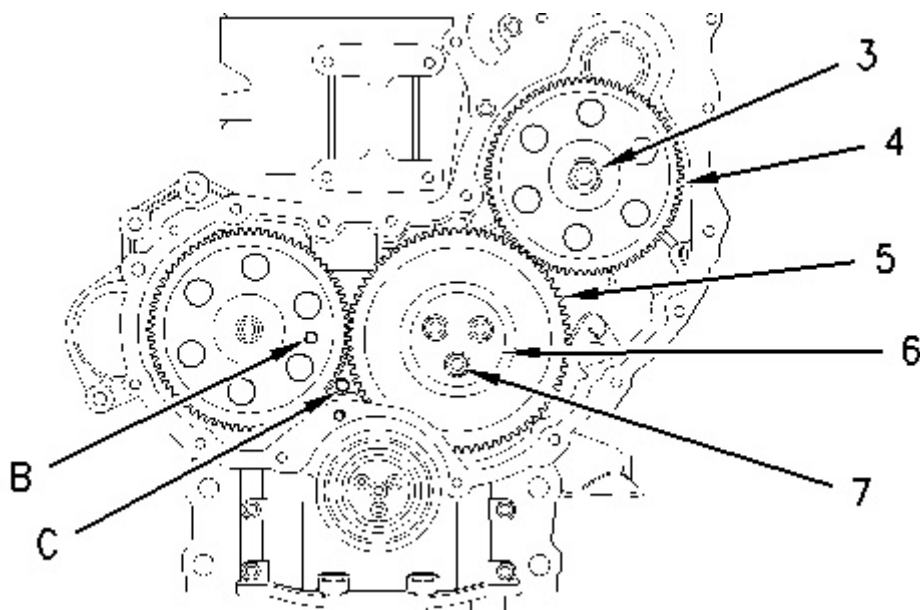
The valve timing and the fuel injection pump timing will be lost if the crankshaft is rotated when the idler gear is removed.

---



2. Loosen bolt (1). Move spacer (2) in order to allow bolt (1) to tighten against the shaft of the fuel injection pump. Rotate and hold the fuel injection pump gear in a counterclockwise direction in order to remove the backlash. Tighten bolt (1) to a torque of 17 N·m (13 lb ft).

**Note:** Bolt (1) must be tightened in order to prevent the shaft of the fuel injection pump from rotating.



3. Remove nut (3) and the washer from the shaft of the fuel injection pump.
4. Install Tooling (D) and remove fuel injection pump gear (4).

**Note:** Do Not pry the fuel injection pump gear from the shaft of the fuel injection pump.

5. Remove bolts (7) and retaining plate (6).
-

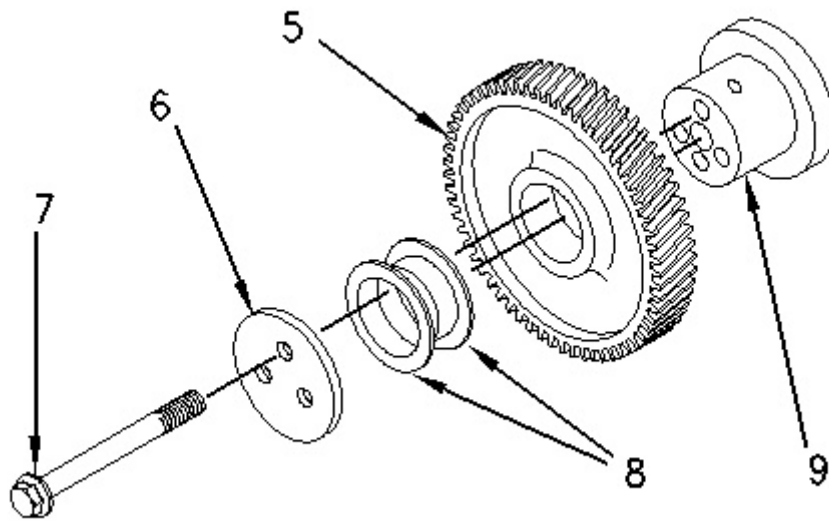


Illustration 3

g00992822

6. Remove idler gear (5) and idler gear hub (9).
7. Use Tooling (E) and remove bushings (8) from each side of the idler gear.

## Installation Procedure

Table 2

<b>A</b>	9U-6198	Crankshaft Turning Tool	1
<b>B</b>	230-6284	Timing Pin (Camshaft)	1
<b>C</b>	230-6283	Timing Pin (Crankshaft)	1
<b>E</b>	1P-0510	Driver Group	1

### NOTICE

**Keep all parts clean from contaminants.**

**Contaminants may cause rapid wear and shortened component life.**

1. Use Tooling (A) to ensure that the No. 1 cylinder is at the top center compression stroke. Refer to Testing and Adjusting, "Finding Top Center Position for No. 1 Piston".

**Note:** Install Tooling (B) through the camshaft gear. Install Tooling (C) into the crankshaft web.

## NOTICE

The valve timing and the fuel injection pump timing will be lost if the crankshaft is rotated when the idler gear is removed.

---

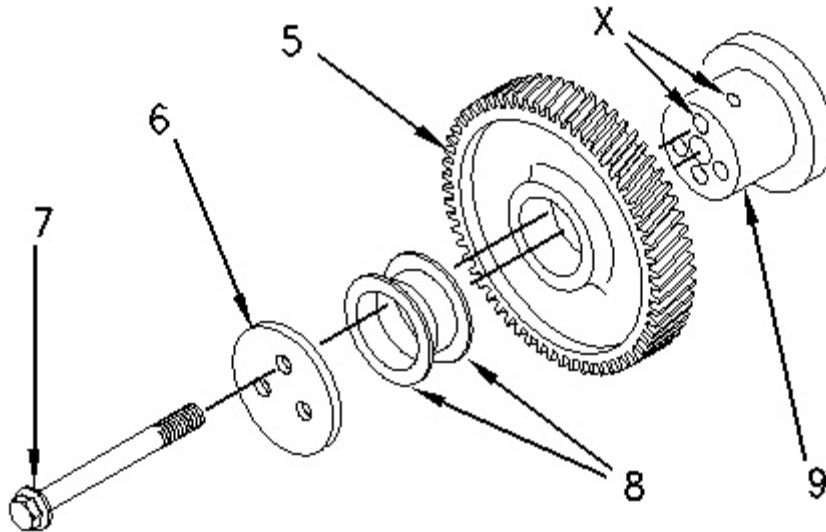


Illustration 4

g00943872

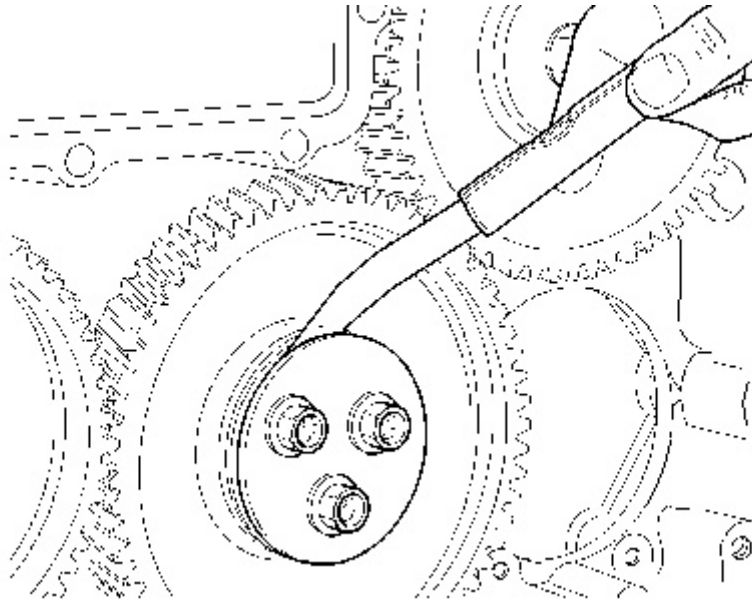
2. Position idler gear hub (9) and install bolts (7) in order to locate the idler gear hub. Tighten the bolts in order to seat the idler gear hub.

**Note:** The Lubrication Hole (X) of the idler gear hub must be positioned at the top of the idler gear hub.

3. Use a suitable press and Tooling (E) to install bushings (8) on each side of idler gear (5).
4. Remove bolts (7) from the idler gear hub. Install idler gear (5) on idler gear hub (9).

**Note:** When you install the idler gear, ensure that the marked teeth are facing toward the front.

5. Install retainer plate (6) and bolts (7). Tighten the bolts to a torque of 44 N·m (32 lb ft).
-

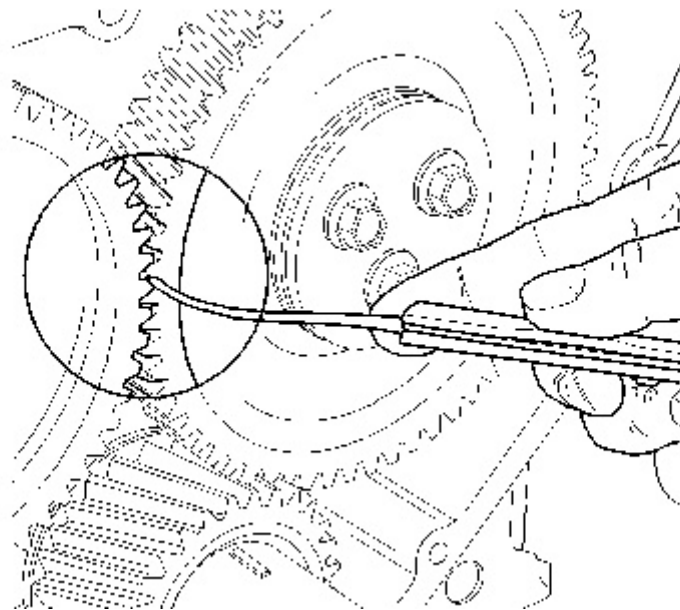


---

Illustration 5

g00944081

6. Check the end play for the idler gear. The end play for the idler gear is 0.10 to 0.20 mm (0.004 to 0.008 inch).



---

Illustration 6

g00944084

7. Check the backlash between the idler gear and the camshaft gear. The backlash for the gears is 0.052 to 0.107 mm (0.0020 to 0.0042 inch).
  8. Check the backlash between the idler gear and the crankshaft gear. The backlash for the gears is 0.064 to 0.124 mm (0.0025 to 0.0049 inch).
-

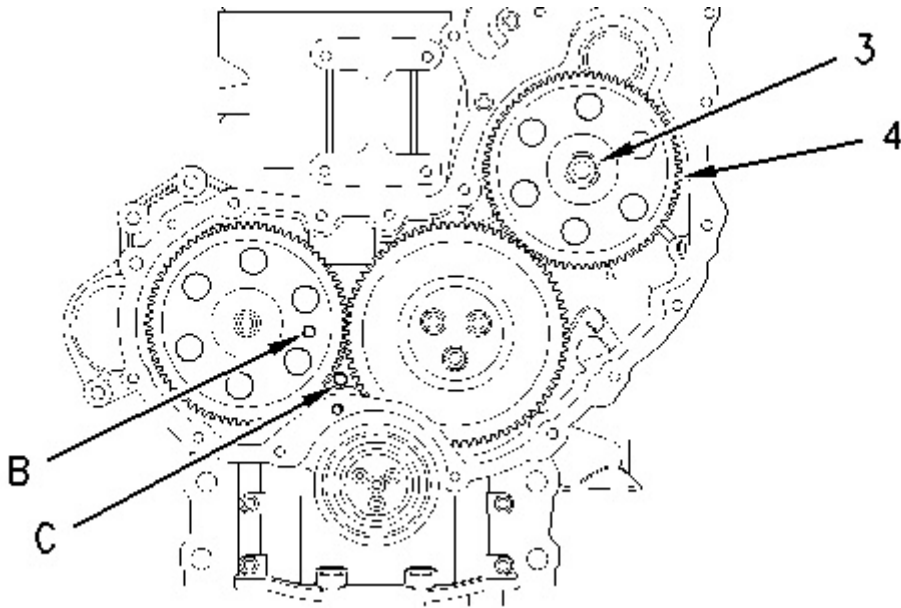


Illustration 7

g00992853

**Note:** Ensure that the mating surfaces of the fuel injection pump gear and the shaft of the fuel injection pump are clean. Lubricate the threads of the shaft for the fuel injection pump. The nut must turn freely until contact is made with the fuel injection pump gear.

9. Position fuel injection pump gear (4) on the shaft of the fuel injection pump. Rotate the fuel injection pump gear in a counterclockwise direction in order to remove the backlash. Install the washer and nut (3). Tighten the nut to a torque of 24 N·m (17 lb ft).

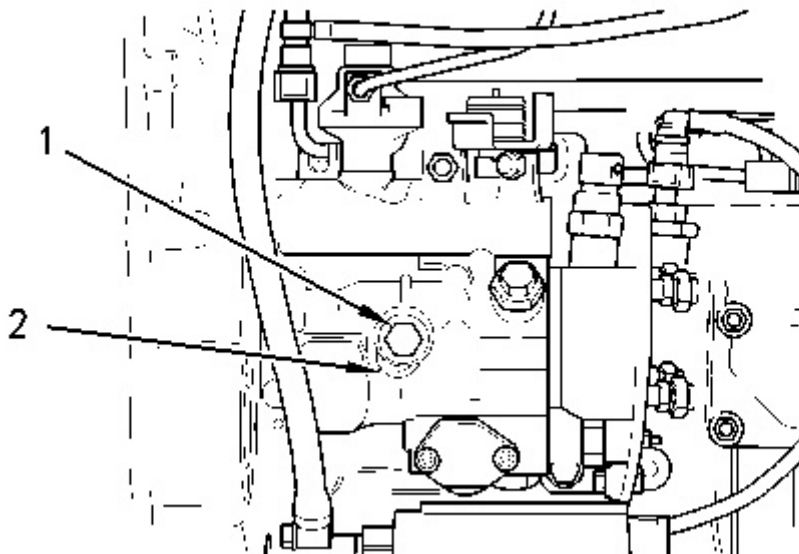
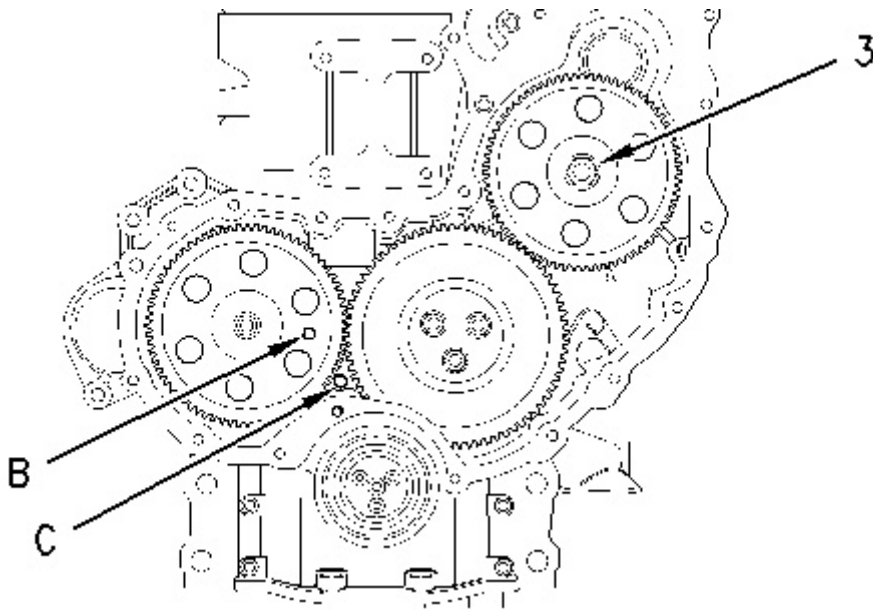


Illustration 8

g00992803

10. Loosen bolt (1). Move spacer (2) in order to prevent bolt (1) from tightening against the shaft of the fuel injection pump. Tighten bolt (1) to a torque of 12 N·m (106 lb in).

**Note:** Spacer (2) must be correctly positioned and bolt (1) must be tightened in order to prevent the bolt from contacting the shaft of the fuel injection pump.



---

Illustration 9

g00992883

11. Tighten nut (3) to a torque of 88 N·m (65 lb ft).
12. Remove Tooling (B) and Tooling (C).

**End By:**

- a. Install the front cover. Refer to Disassembly and Assembly, "Front Cover - Remove and Install".
  - b. Install the crankshaft pulley. Refer to Disassembly and Assembly, "Crankshaft Pulley - Remove and Install".
-

Product: VIBRATORY COMPACTOR

Model: CB-434D VIBRATORY COMPACTOR CNH

Configuration: CB-434D CB-434DXW Vibratory Compactor CNH00001-UP (MACHINE) POWERED BY 3054C Engine

## **Disassembly and Assembly 3054C Engines for Caterpillar Built Machines**

Media Number -SEN5069-18

Publication Date -01/05/2015

Date Updated -19/09/2018

i05324845

### **Housing (Front) - Remove**

SMCS - 1151-011

### **Removal Procedure**

#### **Start By:**

- a. Remove the alternator. Refer to Disassembly and Assembly, "Alternator - Remove".
- b. Remove the crankshaft pulley. Refer to Disassembly and Assembly, "Crankshaft Pulley - Remove and Install".
- c. Remove the front cover. Refer to Disassembly and Assembly, "Front Cover - Remove and Install".
- d. Remove the engine oil pan. Refer to Disassembly and Assembly, "Engine Oil Pan - Remove and Install".
- e. Remove the idler gear. Refer to Disassembly and Assembly, "Idler Gear - Remove and Install".
- f. Remove the camshaft gear. Refer to Disassembly and Assembly, "Camshaft Gear - Remove and Install".
- g. Remove the air compressor, if equipped. Refer to Disassembly and Assembly, "Air Compressor - Remove and Install".

---

#### **NOTICE**

**Keep all parts clean from contaminants.**

**Contaminants may cause rapid wear and shortened component life.**

---

---

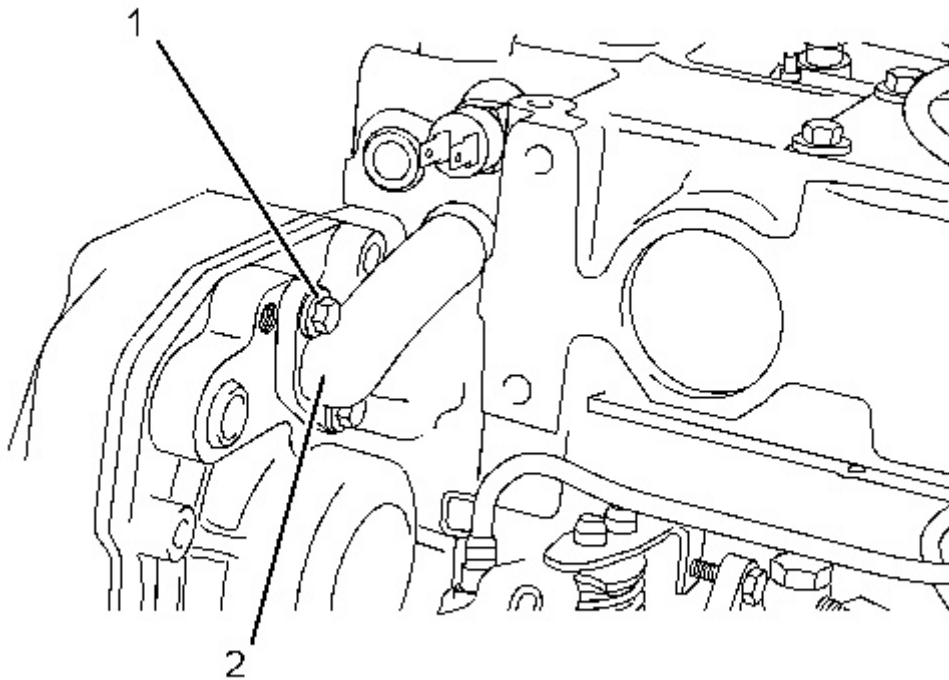
## NOTICE

Care must be taken to ensure that fluids are contained during performance of inspection, maintenance, testing, adjusting, and repair of the product. Be prepared to collect the fluid with suitable containers before opening any compartment or disassembling any component containing fluids.

Refer to Special Publication, NENG2500, "Dealer Service Tool Catalog" for tools and supplies suitable to collect and contain fluids on Cat products.

Dispose of all fluids according to local regulations and mandates.

---



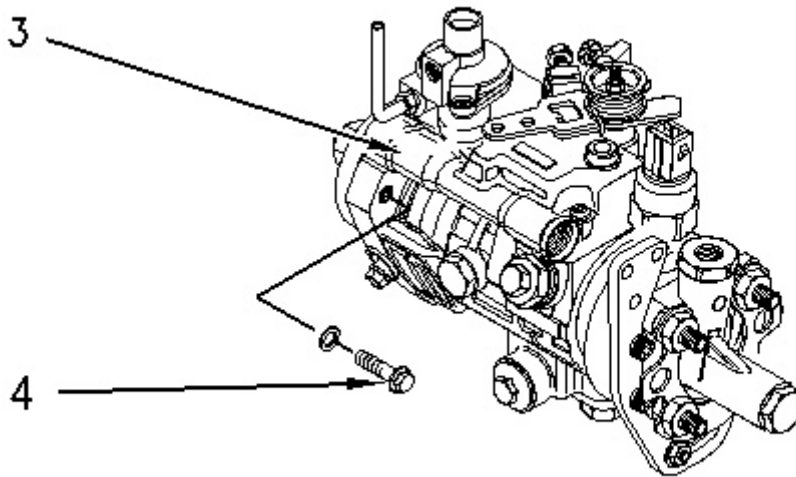
---

Illustration 1

g03373179

Typical example

1. Remove bolts (1). Remove bypass tube (2) from the cylinder head. Remove the O-ring seals from the bypass tube.
-

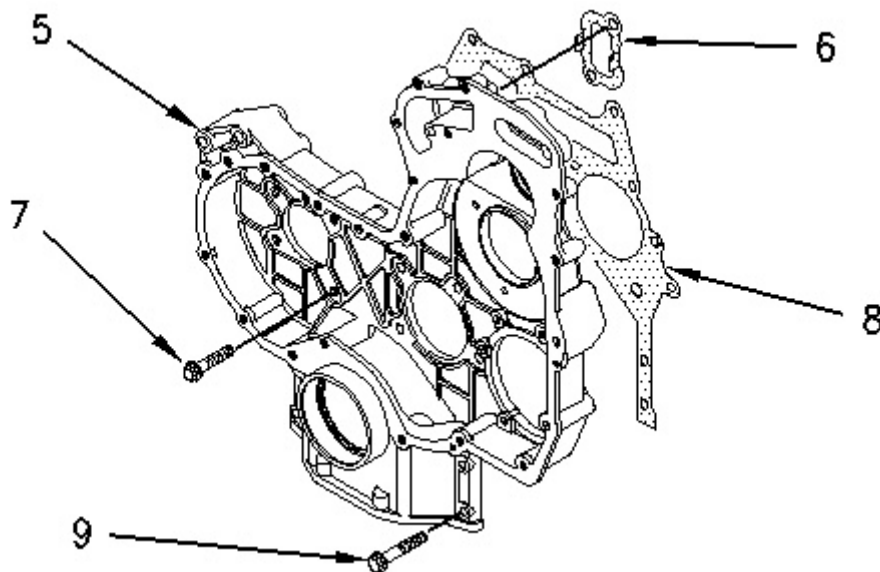


---

Illustration 2  
Typical Example

g00994883

2. Remove bolts (4) that fasten fuel injection pump (3) to the front housing.



---

Illustration 3

g00985259

3. Remove bolts (7) and bolts (9) that fasten the front housing (5) to the cylinder block.
  4. Remove front housing (5). Remove gasket (8) from the cylinder block and the front housing.
  5. Remove gasket (6) from the back side of the front housing.
  6. Remove the O-ring seal from the fuel injection pump housing.
-

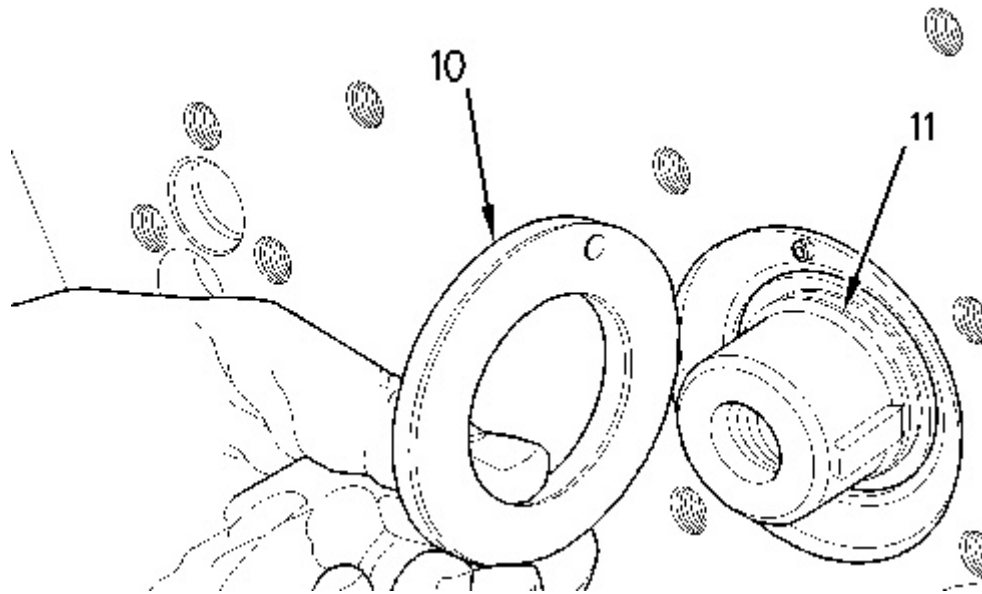


Illustration 4

g00985261

7. Remove thrust washer (10) from camshaft (11).

---

Product: VIBRATORY COMPACTOR

Model: CB-434D VIBRATORY COMPACTOR CNH

Configuration: CB-434D CB-434DXW Vibratory Compactor CNH00001-UP (MACHINE) POWERED BY 3054C Engine

## Disassembly and Assembly 3054C Engines for Caterpillar Built Machines

Media Number -SEN5069-18

Publication Date -01/05/2015

Date Updated -19/09/2018

i05324846

### Housing (Front) - Install

SMCS - 1151-012

### Installation Procedure

Table 1

Tool	Part Number	Part Name	Qty
A	-	Guide Bolt (M8 X 1.25 by 70 mm)	2
B	5P-3975	Rubber Lubricant	-

---

#### NOTICE

**Keep all parts clean from contaminants.**

**Contaminants may cause rapid wear and shortened component life.**

---

1. Clean all mating surfaces thoroughly.
-

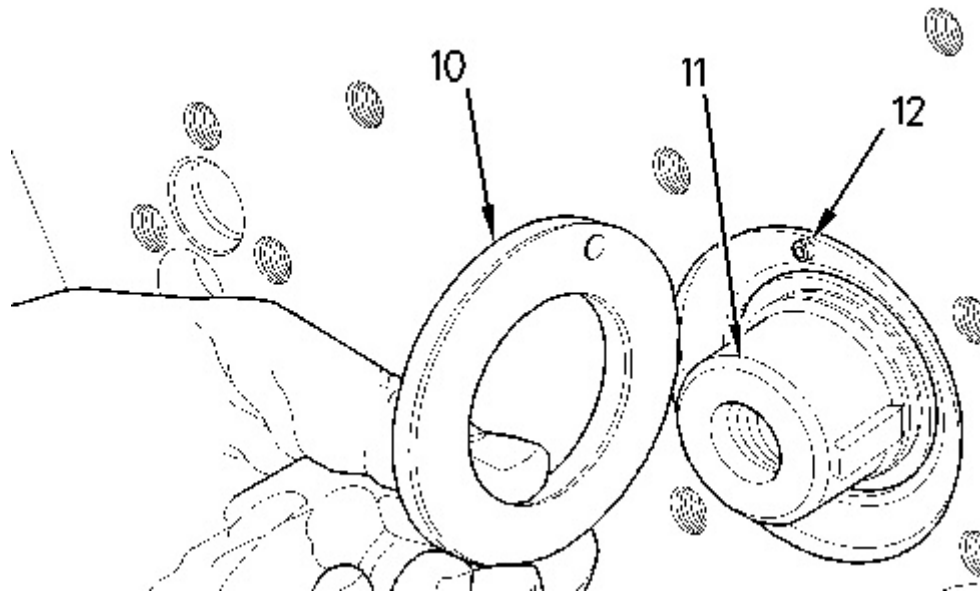


Illustration 1

g00954818

2. Ensure that thrust washer (10) is aligned with hollow dowel (12). Install the thrust washer on camshaft (11).
3. Install a new O-ring seal on the fuel injection pump housing.

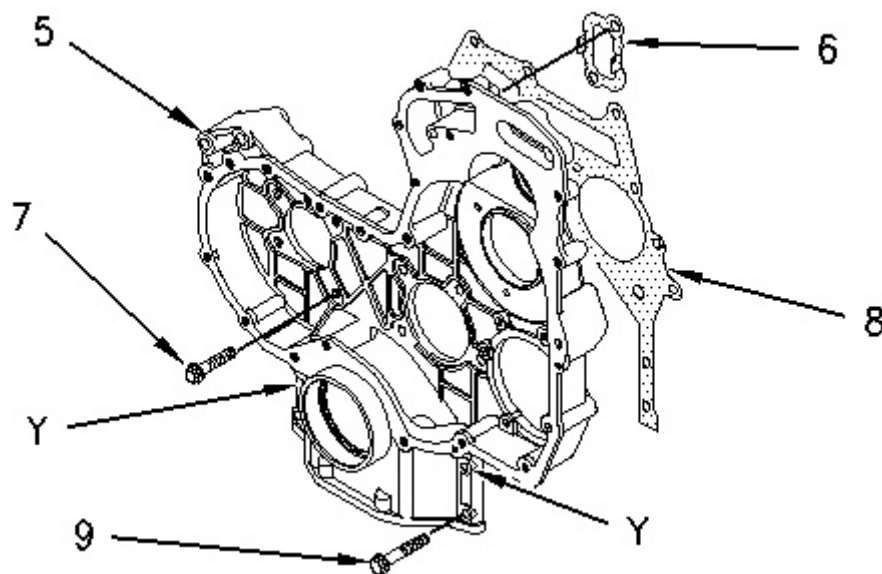


Illustration 2

g00995387

4. Install Tooling (A) in the cylinder block in Hole (Y).
5. Position gasket (8) on Tooling (A). Install gasket (6) on the back side of front housing (5).
6. Position front housing (5) on the cylinder block. Install bolts (7) and bolts (9). Remove Tooling (A) and install the remaining bolts in order to secure the front housing to the cylinder block. Tighten bolts (7) and bolts (9) finger tight at this time.



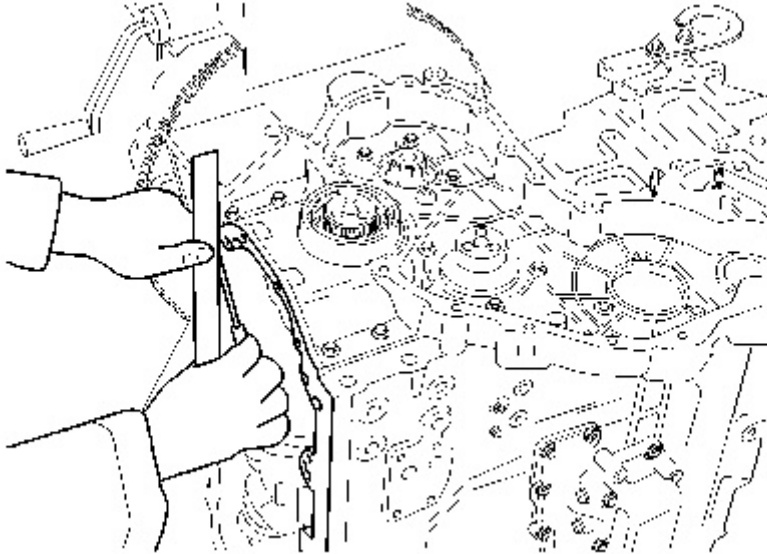
**Suggest:**

**For more complete manuals. Please go to the home page.**

**<https://www.ebooklibonline.com>**

**If the above button click is invalid. Please download this document first, and then click the above link to download the complete manual.**

**Thank you so much for reading**



---

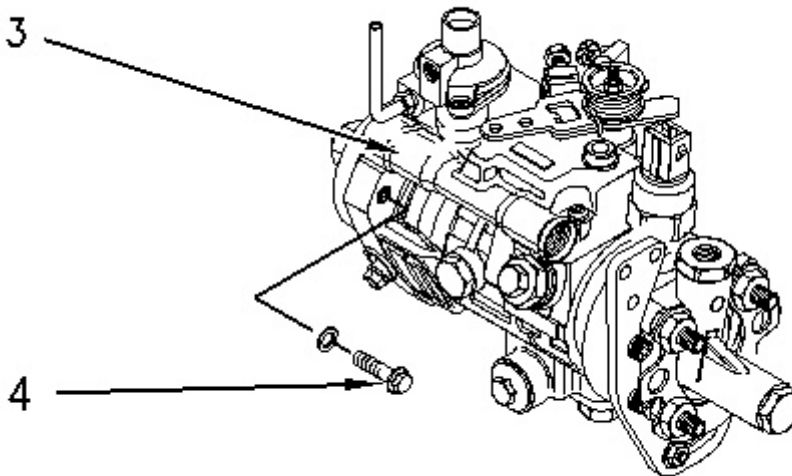
Illustration 3

g00954906

7. Align the front housing and the cylinder block.

**Note:** Ensure that the bottom of the front cover is aligned with the bottom of the cylinder block before the bolts are tightened. The alignment of the bottom face of the front cover and the bottom of the cylinder block must not exceed  $0.00 \pm 0.05$  mm ( $0.000 \pm 0.002$  inch).

8. Tighten bolts (7) and bolts (9) to a torque of 22 N·m (16 lb ft).
- 



---

Illustration 4

g00994883

Typical Example

9. Install bolts (4) that fasten fuel injection pump (3) to the front housing. Tighten the bolts to a torque of 25 N·m (18 lb ft).
-

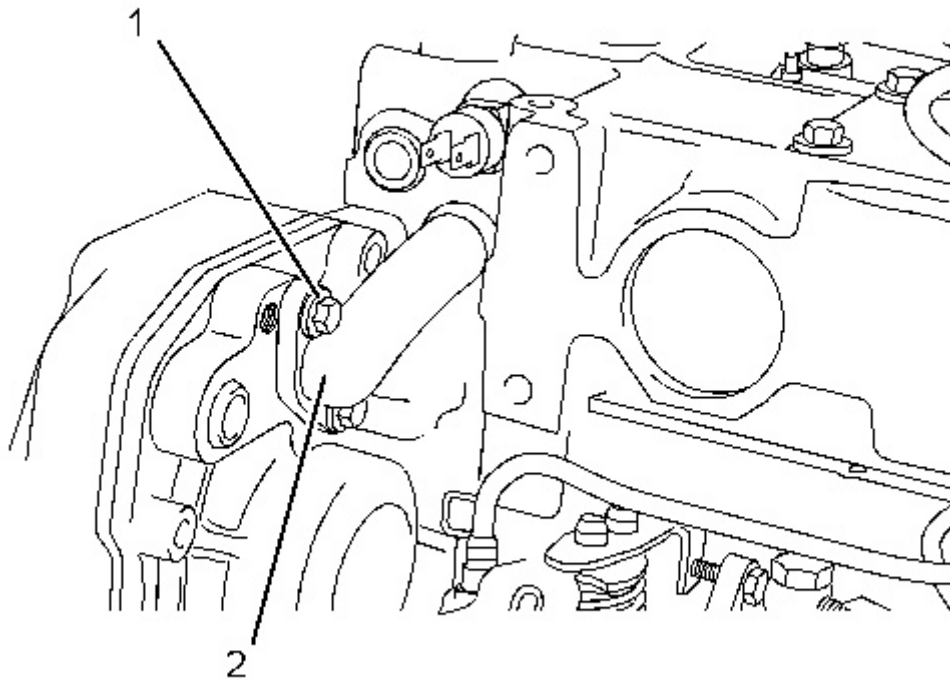


Illustration 5  
Typical example

g03373179

10. Install new O-ring seals on bypass tube (2). Apply Tooling (B) to the O-ring seals. Install the bypass tube in the cylinder head. Install bolts (1).

**End By:**

- a. Install the camshaft gear. Refer to Disassembly and Assembly, "Camshaft Gear - Remove and Install".
- b. Install the idler gear. Refer to Disassembly and Assembly, "Idler Gear - Remove and Install".
- c. Install the engine oil pan. Refer to Disassembly and Assembly, "Engine Oil Pan - Remove and Install".
- d. Install the front cover. Refer to Disassembly and Assembly, "Front Cover - Remove and Install".
- e. Install the crankshaft pulley. Refer to Disassembly and Assembly, "Crankshaft Pulley - Remove and Install".
- f. Install the alternator. Refer to Disassembly and Assembly, "Alternator - Install".
- g. Install the air compressor, if equipped. Refer to Disassembly and Assembly, "Air Compressor - Remove and Install".

**<https://www.ebooklibonline.com>**

Hello dear friend!

Thank you very much for reading.

Enter the link into your browser.

The full manual is available for immediate download.

**<https://www.ebooklibonline.com>**