

Product: COMPACTOR

Model: CB-22B COMPACTOR 466

Configuration: CB22B Compactor 46600001-UP (MACHINE)

## **Disassembly and Assembly**

### **C1.1, C1.5 and C2.2 Engines for Caterpillar Built Machines**

Media Number -KENR6948-06

Publication Date -01/06/2015

Date Updated -02/08/2018

i02602665

# **Flywheel Housing - Remove and Install - Engines with Flywheel Housing and Back Plate**

SMCS - 1157-010

## **Removal Procedure**

### **Start By:**

- a. Remove the flywheel. Refer to Disassembly and Assembly, "Flywheel - Remove".

---

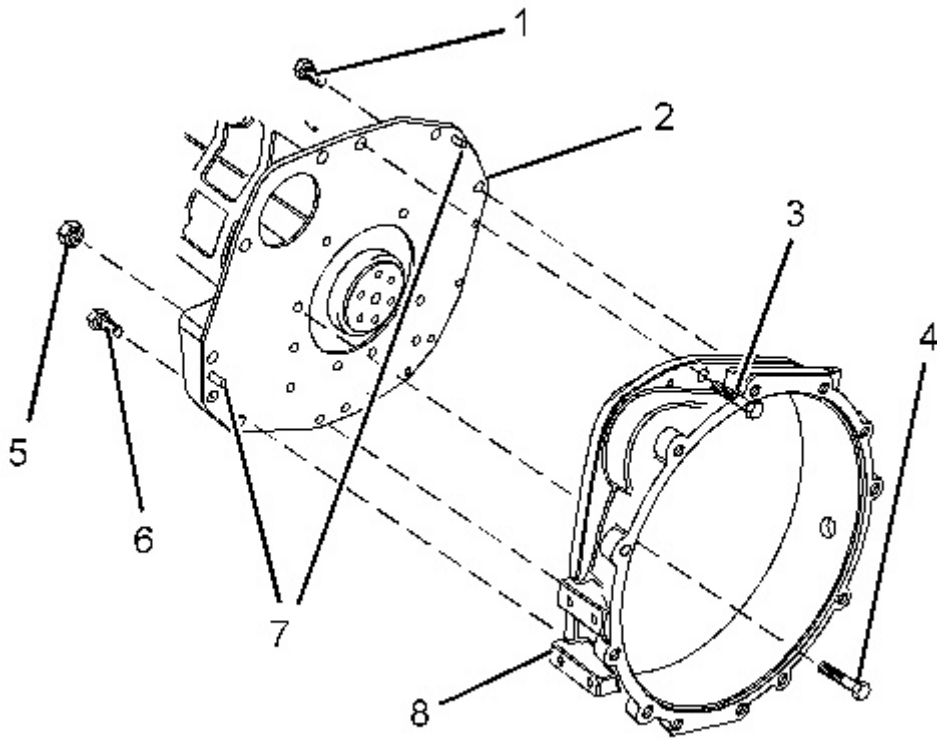
### **NOTICE**

**Keep all parts clean from contaminants.**

**Contaminants may cause rapid wear and shortened component life.**

---

1. Support the engine.
  2. Install a suitable lifting device to the flywheel housing. Support the weight of the housing. The weight of the flywheel housing is approximately 30 kg (66 lb).
-

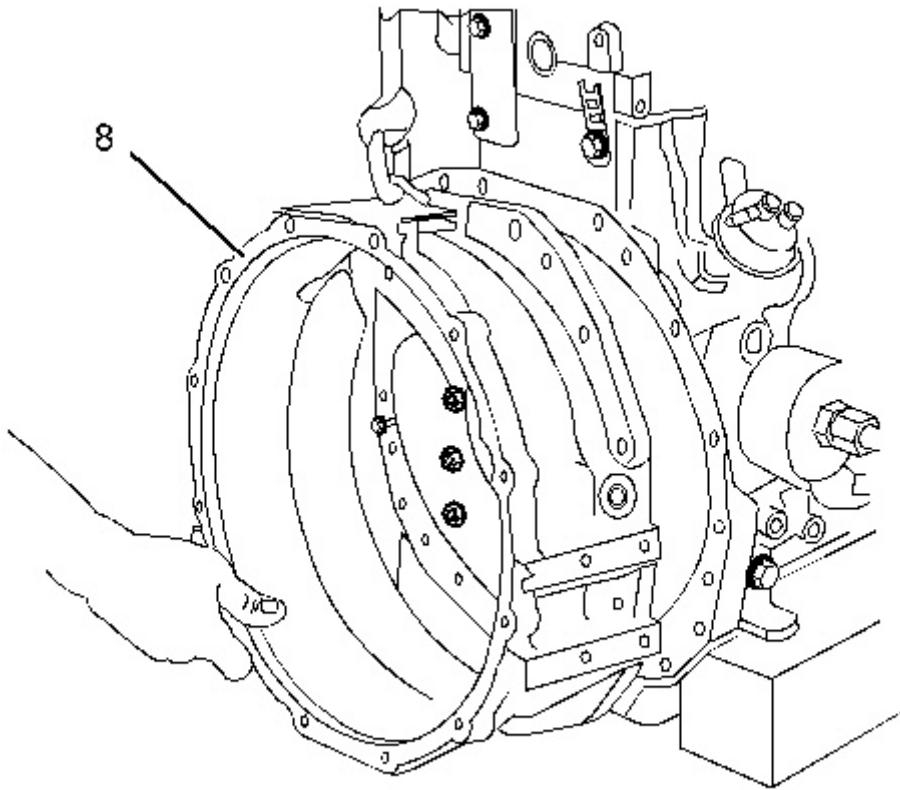


---

Illustration 1

g01326591

---



---

Illustration 2  
Typical example

g01305649

3. Remove bolts (3) and (4) that fasten flywheel housing (8) to the cylinder block.
4. Remove bolts (6) on each side of the cylinder block. These bolts fasten flywheel housing (8) to the cylinder block.
5. Remove bolts (1) that fasten back plate (2) to flywheel housing (8).
6. Remove nuts (5) and the bolts (not shown) that fasten back plate (2) to flywheel housing (8).
7. Carefully remove flywheel housing (8) from back plate (2) and dowels (7). Use a suitable lifting device to remove the flywheel housing.

## Installation Procedure

---

### NOTICE

**Keep all parts clean from contaminants.**

**Contaminants may cause rapid wear and shortened component life.**

---

**<https://www.ebooklibonline.com>**

Hello dear friend!

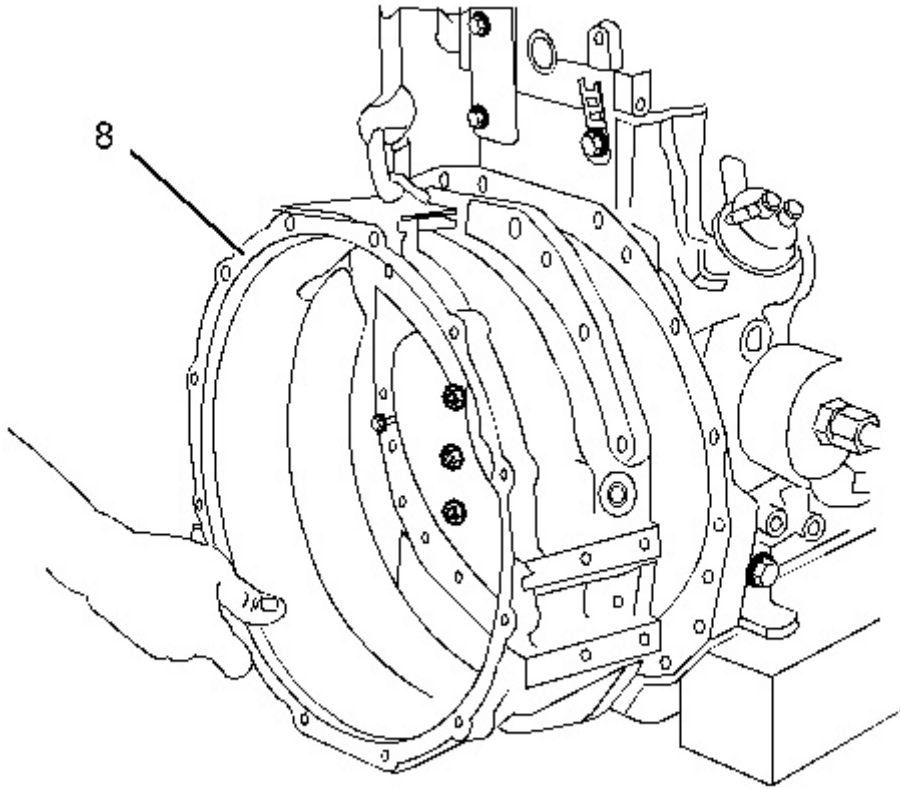
Thank you very much for reading.

Enter the link into your browser.

The full manual is available for immediate download.

**<https://www.ebooklibonline.com>**

1. Ensure that the mating surfaces of back plate (2) and flywheel housing (8) are clean and free from damage. Inspect the crankshaft rear seal (not shown) for leaks. If necessary, replace the crankshaft rear seal. Refer to Disassembly and Assembly, "Crankshaft Rear Seal - Remove and Install" for the correct procedure. Inspect dowels (7) for damage. If the dowels are damaged, use new parts for replacement.
- 

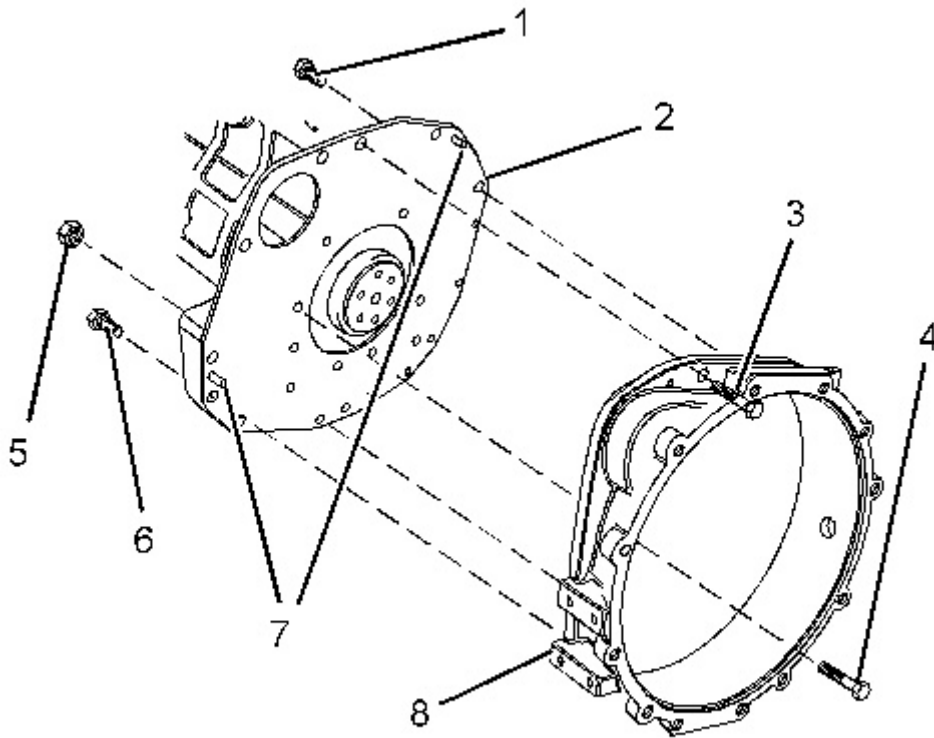


---

Illustration 3

g01305649

---



---

Illustration 4  
Typical example

g01326591

2. Use a suitable lifting device to align flywheel housing (8) to dowels (7). The weight of the flywheel housing is approximately 30 kg (66 lb). Install the flywheel housing to the back plate.
3. Install nuts (5) and the bolts (not shown) that fasten back plate (2) to flywheel housing (8).
4. Install bolts (1) that fasten back plate (2) to flywheel housing (8).
5. Install bolts (6) on each side of the cylinder block. These bolts fasten flywheel housing (8) to the cylinder block.
6. Remove the lifting device from the flywheel housing.
7. Install bolts (3) and (4) that fasten flywheel housing (8) to the cylinder block.
8. Tighten the fasteners to a torque of 25 N·m (19 lb ft).

**End By:**

- a. Install the flywheel. Refer to Disassembly and Assembly, "Flywheel - Install".
-

Product: COMPACTOR

Model: CB-22B COMPACTOR 466

Configuration: CB22B Compactor 46600001-UP (MACHINE)

## **Disassembly and Assembly**

### **C1.1, C1.5 and C2.2 Engines for Caterpillar Built Machines**

Media Number -KENR6948-06

Publication Date -01/06/2015

Date Updated -02/08/2018

i06721519

## **Flywheel Housing - Remove and Install**

SMCS - 1157-010

### **Removal Procedure**

#### **Start By:**

- a. Remove the flywheel. Refer to Disassembly and Assembly, "Flywheel - Remove".

---

#### **NOTICE**

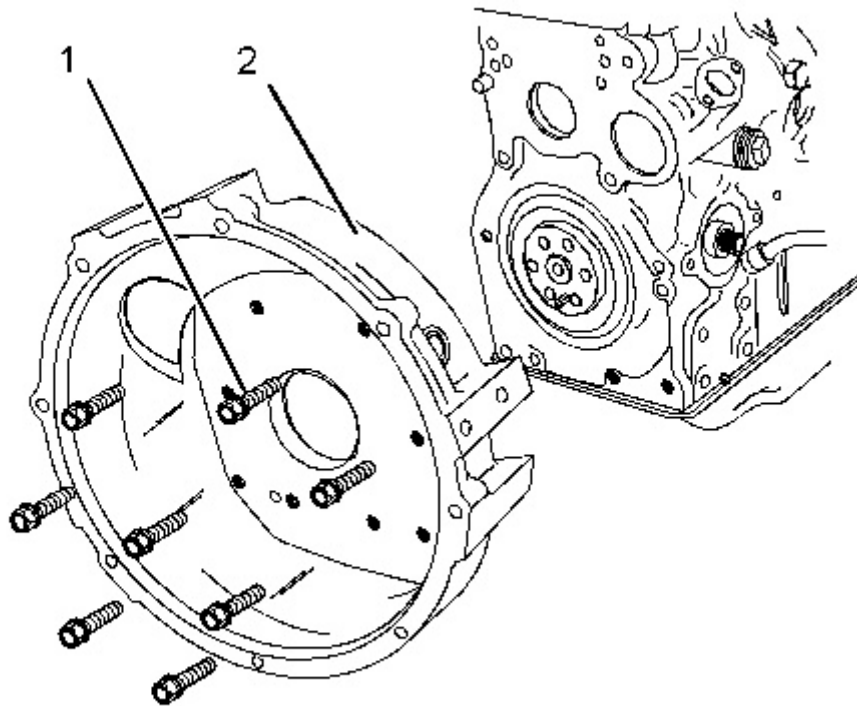
**Keep all parts clean from contaminants.**

**Contaminants may cause rapid wear and shortened component life.**

---

**Note:** The three cylinder and the four cylinder engines have different flywheel housings. The removal procedure is similar for all models.

1. Support the engine.
  2. Install a suitable lifting device to the flywheel housing. Support the weight of the housing. The weight of the flywheel housing is approximately 30 kg (66 lb).
-



---

Illustration 1  
Typical example

g01305734

3. Remove bolts (1) that fasten flywheel housing (2) to the cylinder block.
4. Use the lifting device to remove flywheel housing (2) from the engine.

## Installation Procedure

---

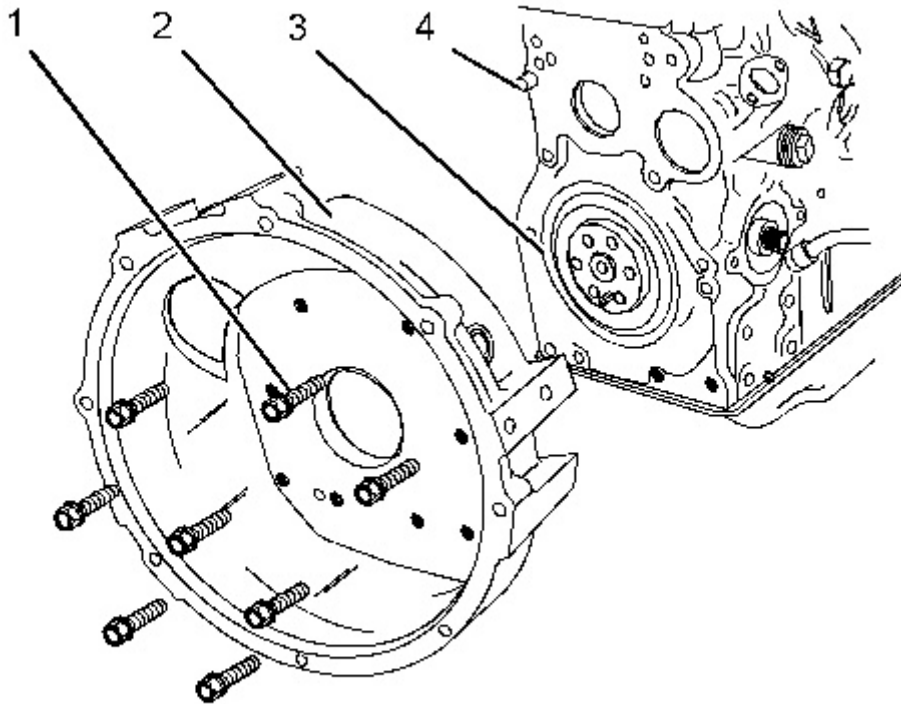
### NOTICE

**Keep all parts clean from contaminants.**

**Contaminants may cause rapid wear and shortened component life.**

---

---



---

Illustration 2

g01326595

Typical example

1. Ensure the mating surfaces of flywheel housing (2) are clean and free from damage. Inspect the crankshaft rear seal (3) for leaks. If necessary, replace the crankshaft rear seal. Refer to Disassembly and Assembly, "Crankshaft Rear Seal - Remove and Install" for the correct procedure. Inspect dowels (4) for damage. If the dowels are damaged, use new parts for replacement.
2. Use a suitable lifting device to align flywheel housing (2) to dowels (5) and install the flywheel housing. The weight of the flywheel housing is approximately 30 kg (66 lb).
3. Install bolts (1). Tighten the bolts to a torque of 25 N·m (19 lb ft).
4. Remove the lifting device from the flywheel housing.

**End By:**

- a. Install the flywheel. Refer to Disassembly and Assembly, "Flywheel - Install".
-

Product: COMPACTOR

Model: CB-22B COMPACTOR 466

Configuration: CB22B Compactor 46600001-UP (MACHINE)

## Disassembly and Assembly C1.1, C1.5 and C2.2 Engines for Caterpillar Built Machines

Media Number -KENR6948-06

Publication Date -01/06/2015

Date Updated -02/08/2018

i07360646

# Crankshaft Pulley - Remove and Install

SMCS - 1205-010

## Removal Procedure

### Start By:

- a. Remove the V-belt. Refer to Disassembly and Assembly, "V Belts Remove and Install" for more information.

Table 1

Required Tools			
Tool	Part Number	Description	Qty
A	8S-2264	Puller Group	1
	-	Bolt	3

---

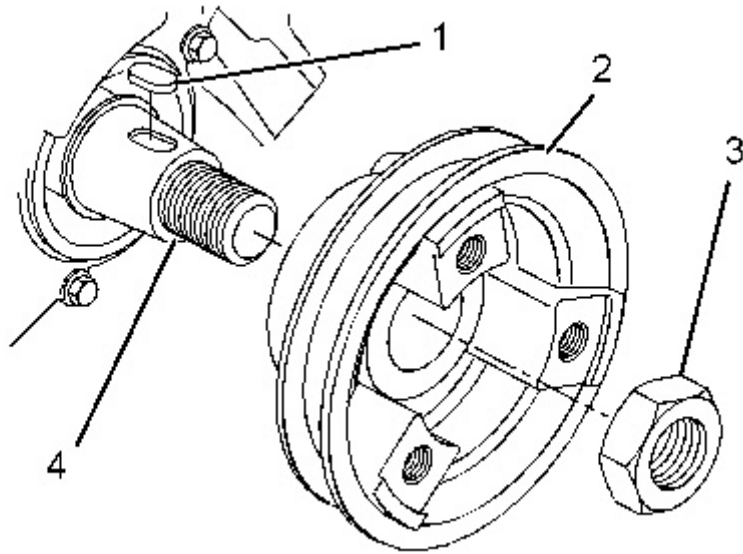


Illustration 1  
Typical example

g01326646

1. Loosen nut (3).

**Note:** Leave the nut fully engaged with the thread on the crankshaft.

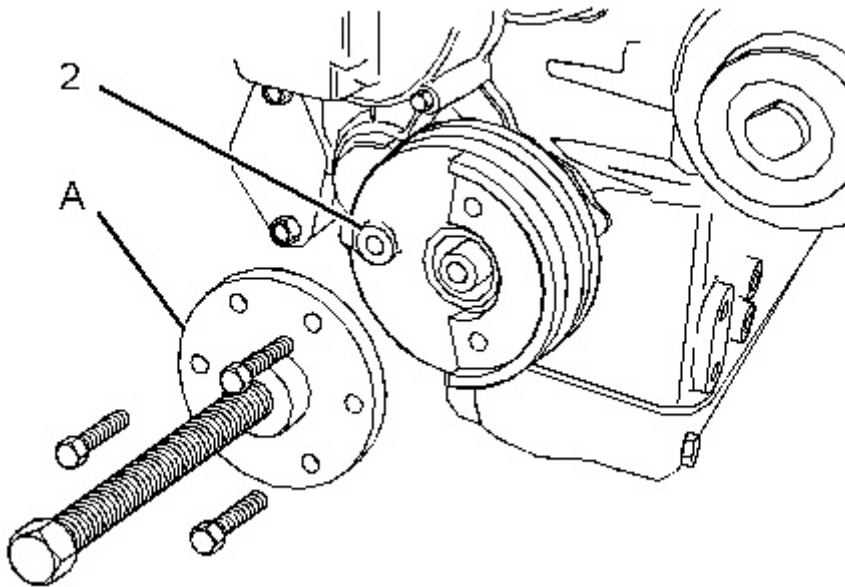


Illustration 2

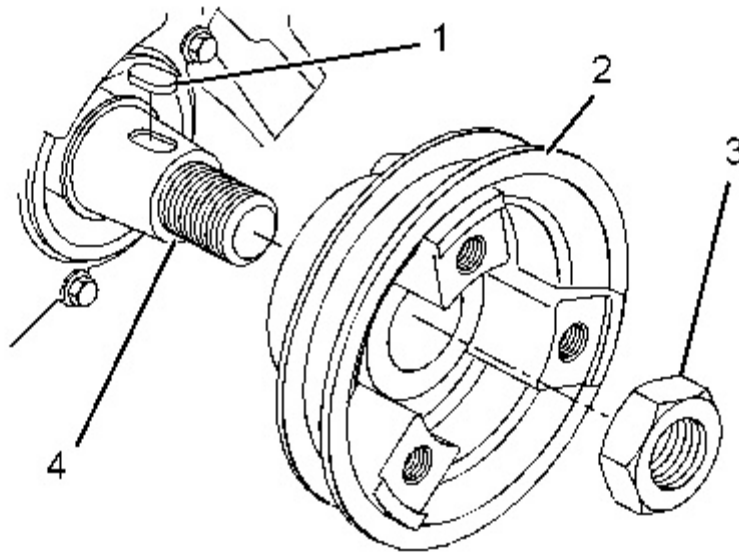
g01305772

2. Install Tooling (A) to crankshaft pulley (2). Use Tooling (A) to remove crankshaft pulley (2) from crankshaft (4). Remove Tooling (A).
3. Remove nut (3).
4. Remove pulley (2) from crankshaft (4).

5. Remove woodruff key (1) from crankshaft (4).

## Installation Procedure

1. Ensure that the following components are clean and free from damage: the taper of the crankshaft, the woodruff key, and the bore of the crankshaft pulley. Replace any components that are damaged. Ensure that the taper of the crankshaft and the bore of the crankshaft pulley are clean and dry before assembly.
- 



---

Illustration 3  
Typical example

g01326646

2. Install woodruff key (1) to crankshaft (4).
3. Install crankshaft pulley (2) to crankshaft (4).
4. Lubricate nut (3) with clean engine oil and install the nut.

For the C1.1 engine, tighten nut (3) to a torque of 123 N·m (91 lb ft).

For C1.5 and C2.2 engines, tighten nut (3) to a torque of 304 N·m (224 lb ft).

### End By:

- a. Install the V-belt to the engine. Refer to Disassembly and Assembly, "V Belts Remove and Install".
-

Product: COMPACTOR

Model: CB-22B COMPACTOR 466

Configuration: CB22B Compactor 46600001-UP (MACHINE)

## Disassembly and Assembly C1.1, C1.5 and C2.2 Engines for Caterpillar Built Machines

Media Number -KENR6948-06

Publication Date -01/06/2015

Date Updated -02/08/2018

i02602690

# Crankshaft Front Seal - Remove and Install

SMCS - 1160-010

## Removal Procedure

Table 1

Required Tools			
Tool	Part Number	Part Description	Qty
A	1U-7600	Slide Hammer Puller	1

### Start By:

- Remove the crankshaft pulley. Refer to Disassembly and Assembly, "Crankshaft Pulley - Remove and Install".

---

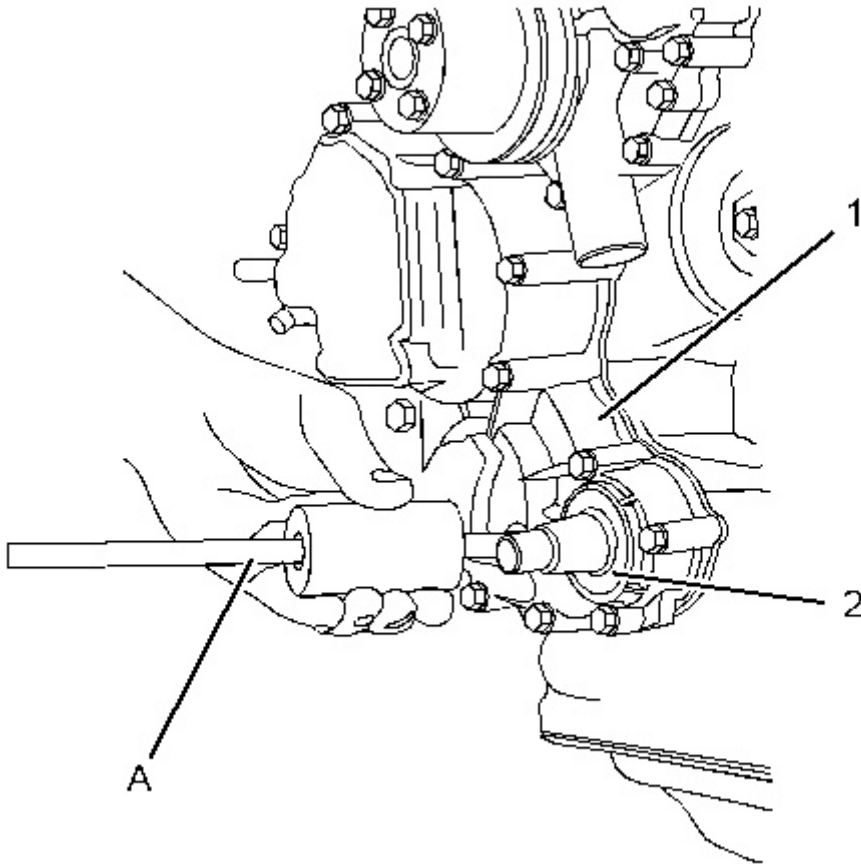
### NOTICE

**Keep all parts clean from contaminants.**

**Contaminants may cause rapid wear and shortened component life.**

---

---



---

Illustration 1  
Typical example

g01310976

1. Use a 4 mm (0.158 inch) drill in order to make three holes in crankshaft front seal (2).

---

### NOTICE

**Ensure that the main lip is used in order to remove the crankshaft front seal. Do not damage the edge of the housing for the crankshaft front seal.**

---

**Note:** Do not damage the crankshaft during the removal process of the crankshaft front seal.

2. Use Tooling (A) to carefully remove crankshaft front seal (2). Alternate the position of Tooling (A) from one hole to another hole. This will allow you to evenly remove the crankshaft front seal from front housing (1).

## Alternative Removal Procedure

**Start By:**

- a. Remove the crankshaft pulley. Refer to Disassembly and Assembly, "Crankshaft Pulley - Remove and Install".
- b. Remove the front housing. Refer to Disassembly and Assembly, "Housing (Front) - Remove".

---

### NOTICE

**Keep all parts clean from contaminants.**

**Contaminants may cause rapid wear and shortened component life.**

---

**Note:** This is an alternative procedure to remove the crankshaft front oil seal. This procedure may be used if the front housing has been removed from the engine.

1. Use a suitable mandrel and a press in order to remove the oil seal from the front cover. Ensure that the front cover is supported in order to prevent damage to the cover while the oil seal is being removed.

## Installation Procedure

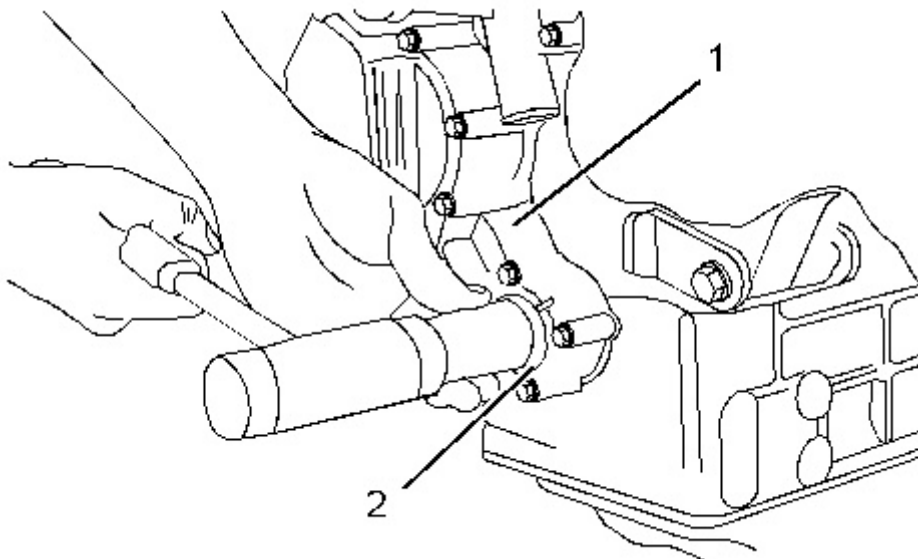
---

### NOTICE

**Keep all parts clean from contaminants.**

**Contaminants may cause rapid wear and shortened component life.**

---



1. Ensure that the bore in front housing (1) and the nose of the crankshaft are clean and free from damage.
2. Lubricate the lip of a new crankshaft front seal (2) with clean engine oil.
3. Position crankshaft front seal (2) in the bore of front housing (1).

---

### NOTICE

**Ensure that the lip of the crankshaft front seal that is spring loaded is facing toward the inside of the front housing and that it is square with the bore of the housing for the crankshaft front seal.**

---

4. Use a suitable tool to install crankshaft front seal (2) to front housing (1).

**End By:**

- a. Install the crankshaft pulley. Refer to Disassembly and Assembly, "Crankshaft Pulley - Remove and Install".
-

Product: COMPACTOR

Model: CB-22B COMPACTOR 466

Configuration: CB22B Compactor 46600001-UP (MACHINE)

## **Disassembly and Assembly C1.1, C1.5 and C2.2 Engines for Caterpillar Built Machines**

Media Number -KENR6948-06

Publication Date -01/06/2015

Date Updated -02/08/2018

i03631162

### **Housing (Front) - Remove**

SMCS - 1151-011

### **Removal Procedure**

#### **Start By:**

- A. Remove the fuel injection pump. Refer to Disassembly and Assembly, "Fuel Injection Pump - Remove".
- B. Remove the crankshaft pulley. Refer to Disassembly and Assembly, "Crankshaft Pulley - Remove and Install".

---

#### **NOTICE**

**Keep all parts clean from contaminants.**

**Contaminants may cause rapid wear and shortened component life.**

---

---

#### **NOTICE**

**If the front housing is not installed, do not turn the crankshaft.  
Damage to the engine may occur.**

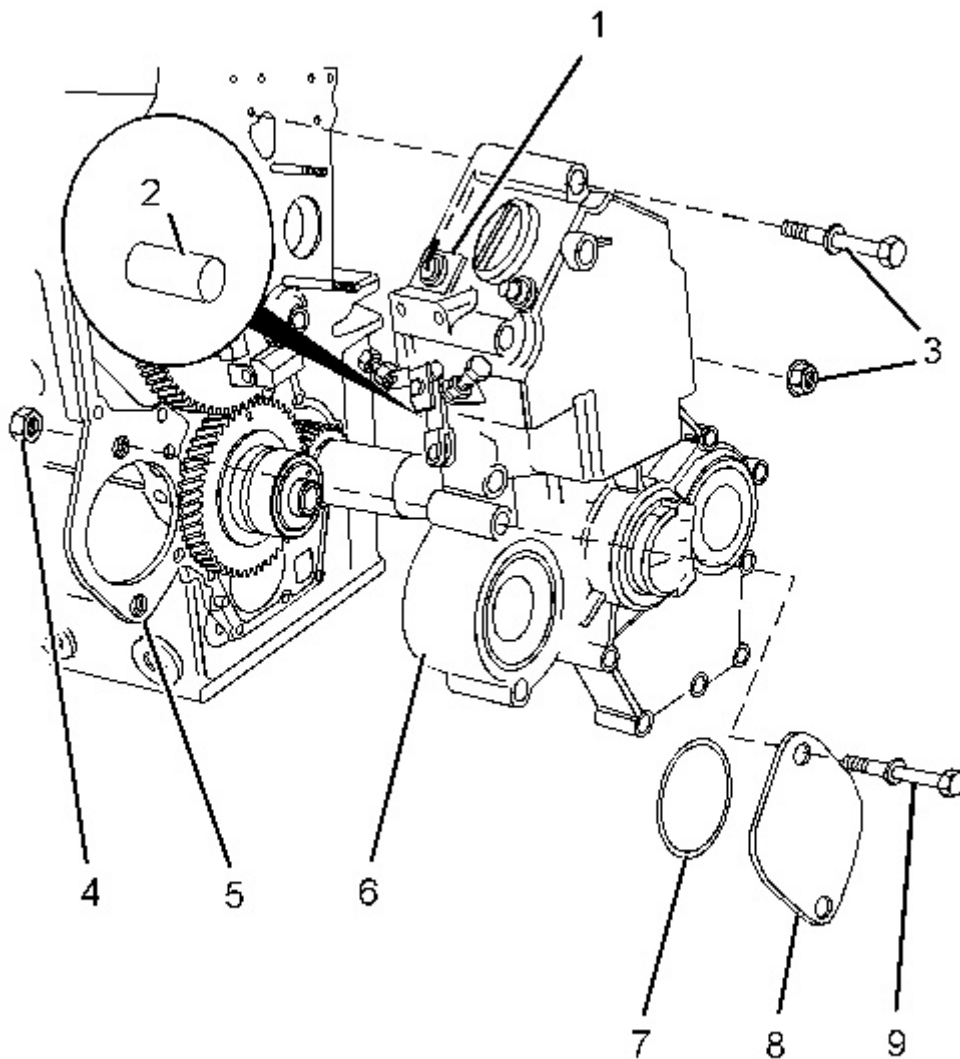
---

---

#### **NOTICE**

Care must be taken to ensure that fluids are contained during performance of inspection, maintenance, testing, adjusting and repair of the product. Be prepared to collect the fluid with suitable containers before opening any compartment or disassembling any component containing fluids.

Dispose of all fluids according to local regulations and mandates.



---

Illustration 1

g01357158

Typical example

1. If the engine is equipped with a turbocharger, disconnect the hose from connection (1).

2. Remove nuts (4) and bolts (9) .
3. Remove cover (8) and O-ring seal (7) .
4. Remove fasteners (3) . Identify the position of the different fasteners for installation.
5. Carefully remove front housing (6) from plate (5) . Ensure that pin (2) remains in the front housing.

**Note:** The front housing is aligned to the plate and to the cylinder block with dowels.

6. Remove the joint (not shown).
-

Product: COMPACTOR

Model: CB-22B COMPACTOR 466

Configuration: CB22B Compactor 46600001-UP (MACHINE)

## Disassembly and Assembly C1.1, C1.5 and C2.2 Engines for Caterpillar Built Machines

Media Number -KENR6948-06

Publication Date -01/06/2015

Date Updated -02/08/2018

i02706598

### Housing (Front) - Disassemble

SMCS - 1151-015

### Disassembly Procedure

#### Start By:

- a. Remove the engine front housing. Refer to Disassembly and Assembly, "Housing (Front) - Remove".



**WARNING**

**Personal injury can result from being struck by parts propelled by a released spring force.**

**Make sure to wear all necessary protective equipment.**

**Follow the recommended procedure and use all recommended tooling to release the spring force.**

---

#### NOTICE

**Keep all parts clean from contaminants.**

**Contaminants may cause rapid wear and shortened component life.**

---

**Note:** If the original front housing will be replaced by a different item, refer to Systems Operation, Testing and Adjusting, "Governor" before disassembling the front housing.

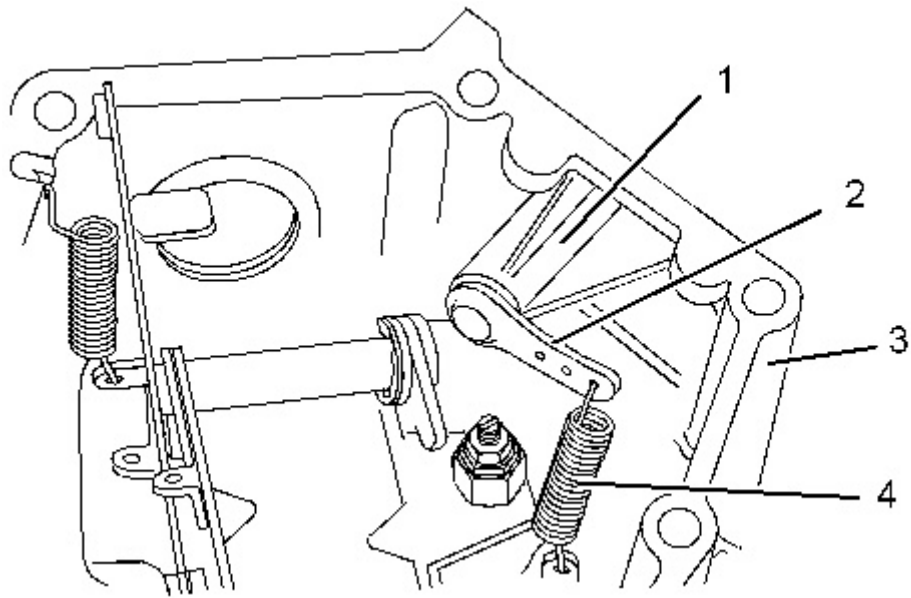


Illustration 1  
Typical example

g01357675

1. Remove spring (4) from arm (2) on the assembly of throttle control (1).

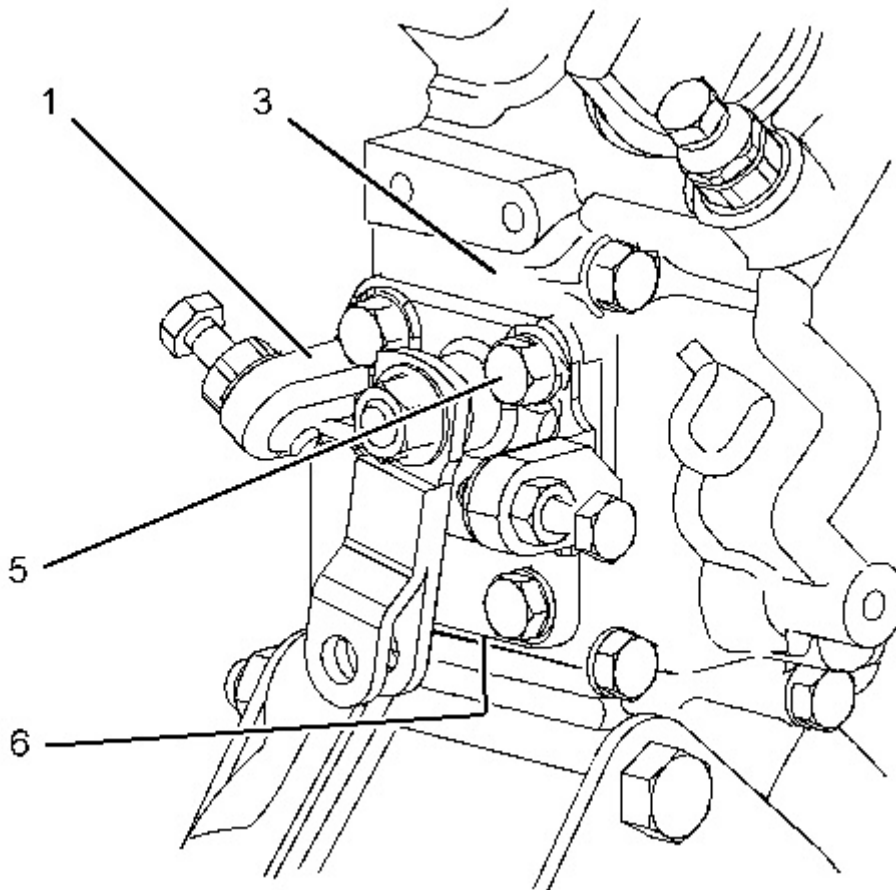


Illustration 2

g01354631

Typical example

2. Remove bolts (5) and remove the assembly of throttle control (1) from front housing (3).
  3. Remove joint (6).
- 

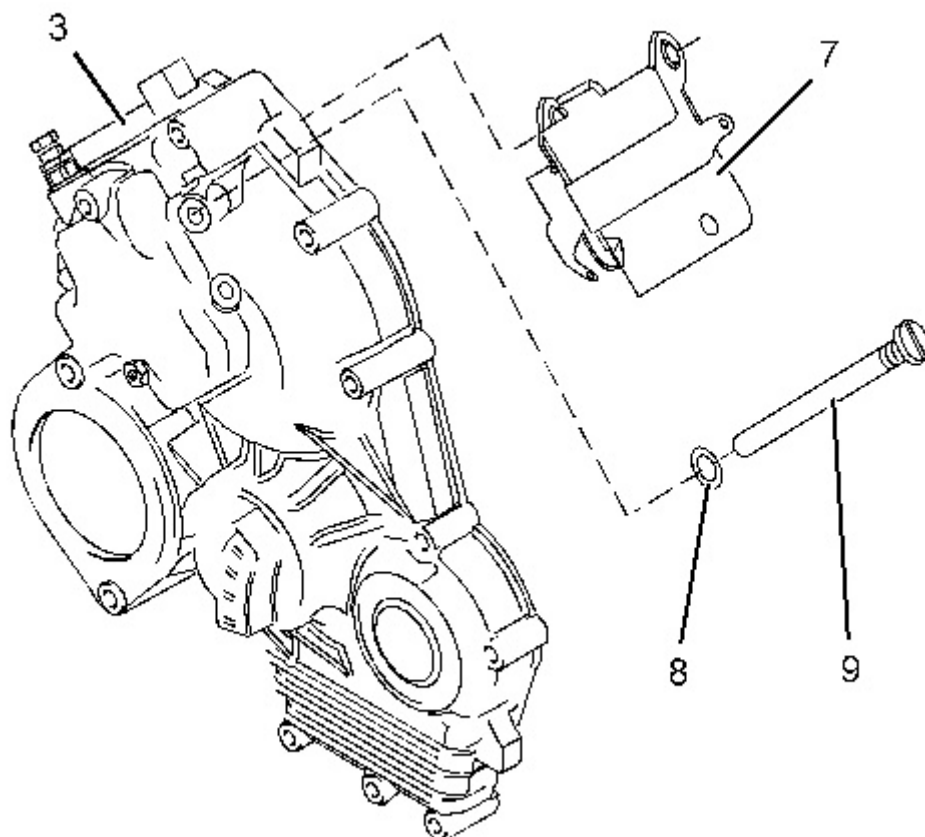


Illustration 3

g01357717

Typical example

4. Remove shaft (9) from front housing (3).
  5. Remove lever assembly (7) from front housing (3).
  6. Remove sealing washer (8) from shaft (9).
-

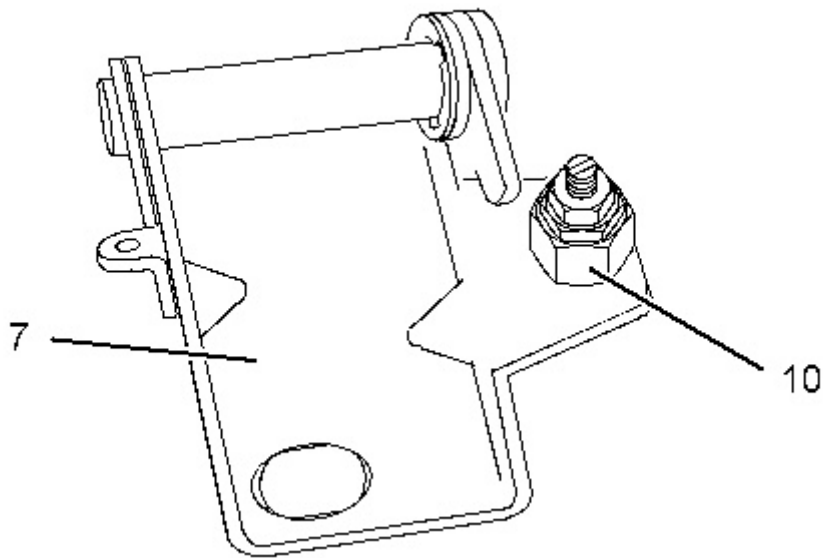


Illustration 4

g01357689

7. If the engine is equipped with an angleich unit, remove angleich unit (10) from lever assembly (7).

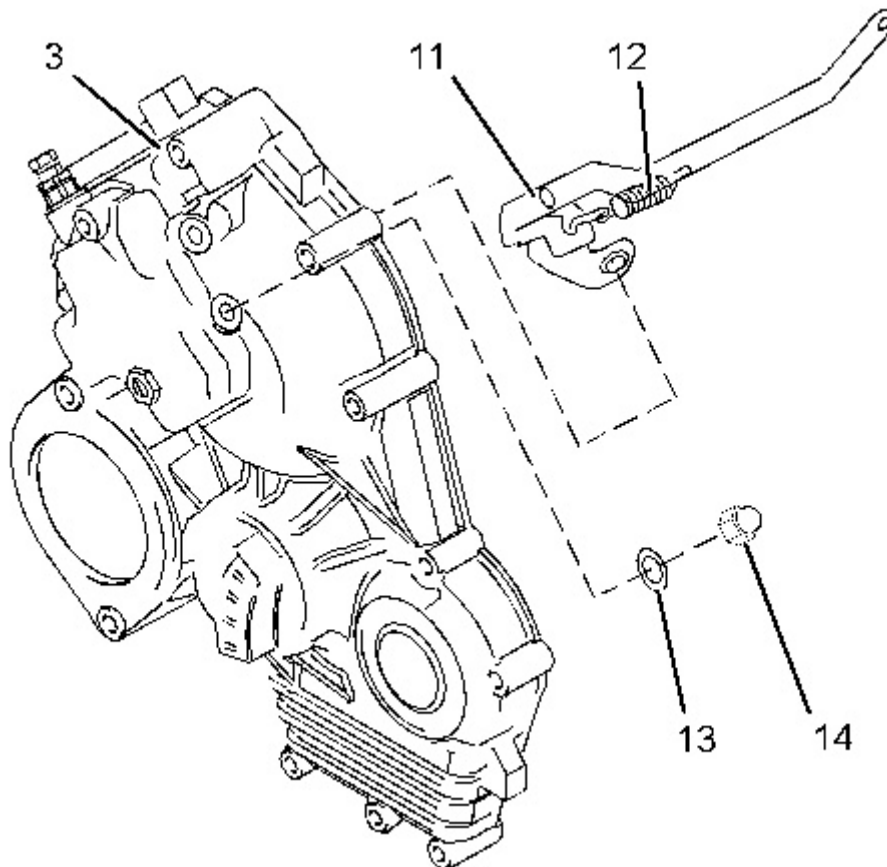


Illustration 5  
Typical example

g01357693



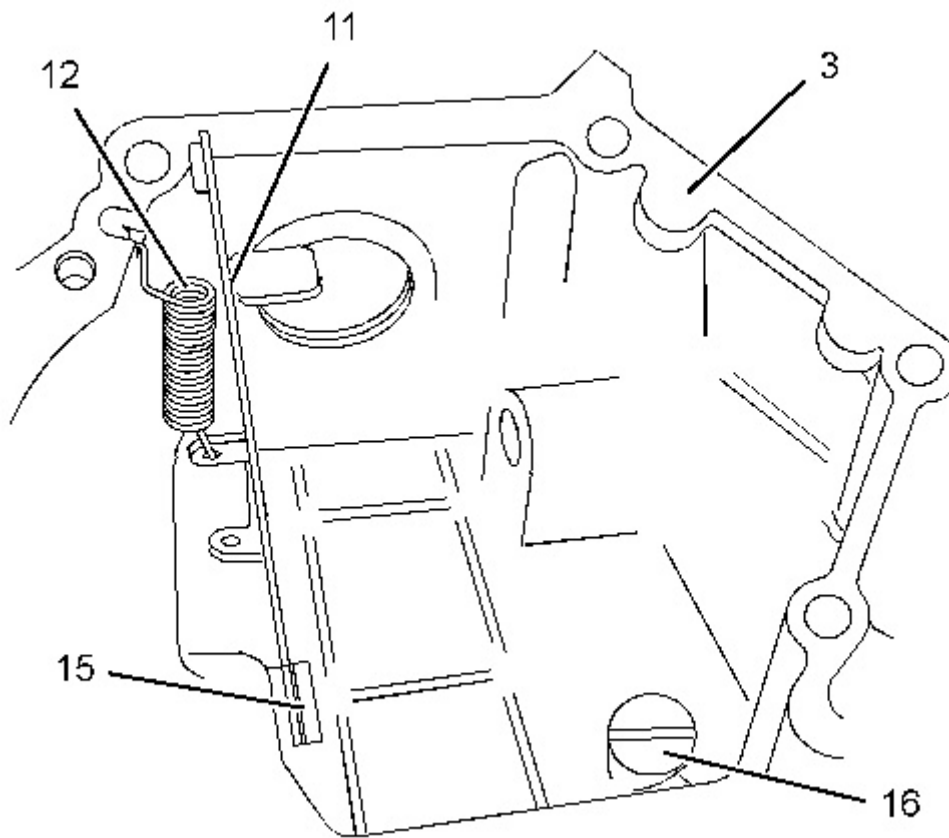
**Suggest:**

**For more complete manuals. Please go to the home page.**

**<https://www.ebooklibonline.com>**

**If the above button click is invalid. Please download this document first, and then click the above link to download the complete manual.**

**Thank you so much for reading**

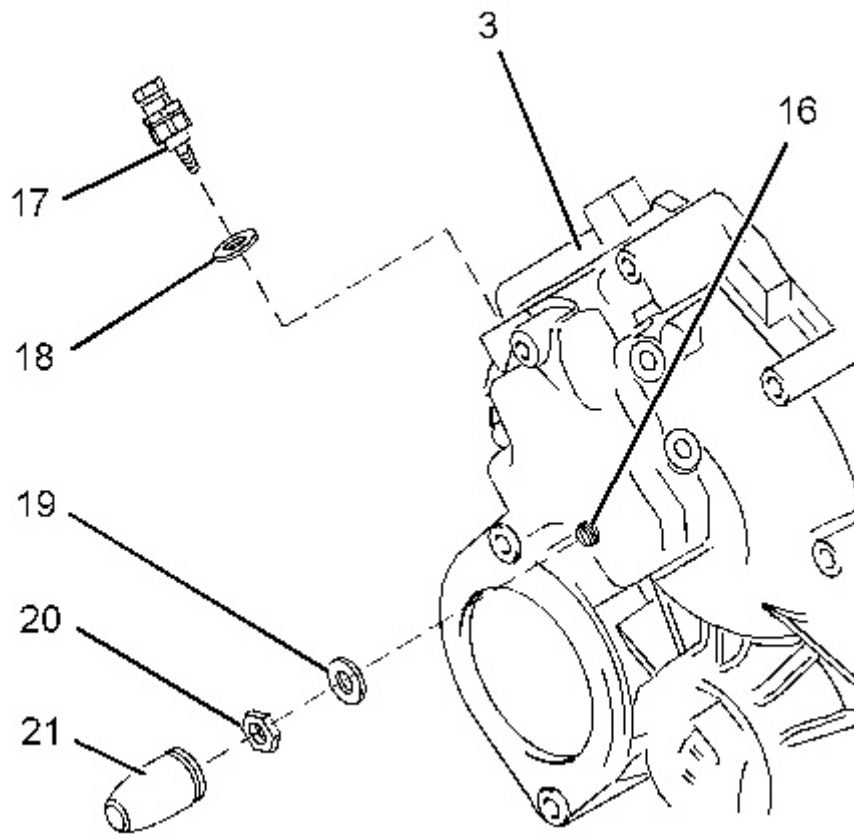


---

Illustration 6  
Typical example

g01357727

8. Disconnect spring (12) from front housing (3).
  9. Remove nut (14) and remove sealing washer (13) from front housing (3).
  10. Remove shaft (15) and remove lever assembly (11) from front housing (3).
-



---

Illustration 7  
Typical example

g01358077

11. Remove spring assembly (17) and remove sealing washer (18) from front housing (3).

**Note: The position of stop (16) controls the emissions of the engine. Do not remove the stop unless a different front housing will be installed. Do not adjust the stop. Refer to Systems Operation, Testing and Adjusting, "Governor" for further information.**

12. If necessary, remove cap (21), locknut (20) and sealing washer (19) from front housing (3). Remove stop (16).
-

**<https://www.ebooklibonline.com>**

Hello dear friend!

Thank you very much for reading.

Enter the link into your browser.

The full manual is available for immediate download.

**<https://www.ebooklibonline.com>**