

# OPERATOR'S MANUAL

# DISC MOWER

**DM1270**



---

# CONTENTS

---

■ Dear Owner .....	1
■ Contents .....	2
■ Identification of the machine .....	4
Front view .....	4
Rear view .....	4
Model identification plate .....	5
Optional equipments .....	5
■ Safety .....	6
Description of symbols used in this document .....	6
Safety instructions .....	7
Location and description of safety decals on the machine .....	15
■ Machine specifications .....	20
Description and glossary .....	20
Technical specifications .....	21
Sound levels .....	21
■ Putting into service .....	22
Description of control elements .....	22
Coupling and uncoupling .....	22
■ Instructions for transport .....	33
Putting the machine into transport position .....	33
Conformity with the road regulations .....	35

---

■ <b>Instructions for work</b> .....	<b>36</b>
Putting the machine into work position .....	36
Adjustments in working position .....	38
Machine use .....	41
■ <b>Optional equipments</b> .....	<b>42</b>
Raised skid shoes .....	42
Inner swath shield .....	42
High cone disc .....	42
Compensating spring.....	43
■ <b>Maintenance and storage</b> .....	<b>44</b>
Frequency chart.....	44
Lubrication .....	45
Maintenance .....	48
Storage .....	55
■ <b>Trouble shooting guide</b> .....	<b>56</b>

**<https://www.ebooklibonline.com>**

Hello dear friend!

Thank you very much for reading.

Enter the link into your browser.

The full manual is available for immediate download.

**<https://www.ebooklibonline.com>**

---

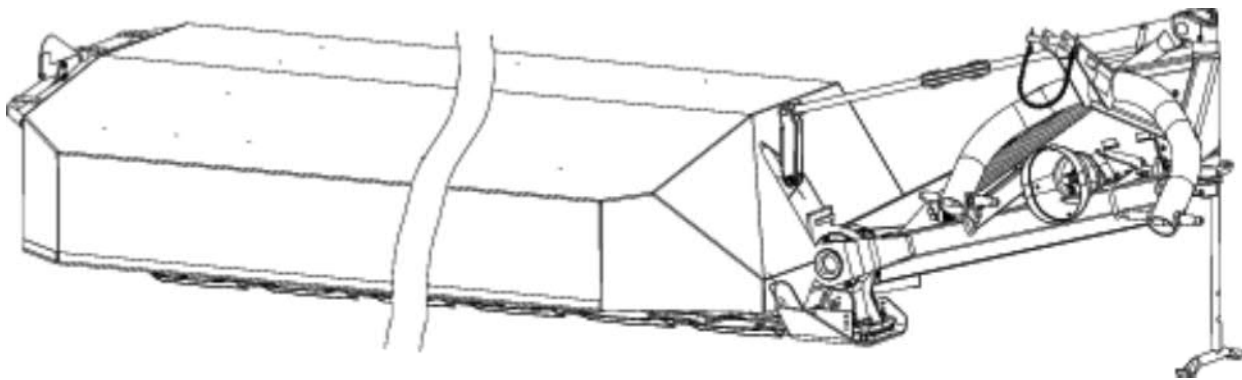
## IDENTIFICATION OF THE MACHINE

---

---

### 1. Front view

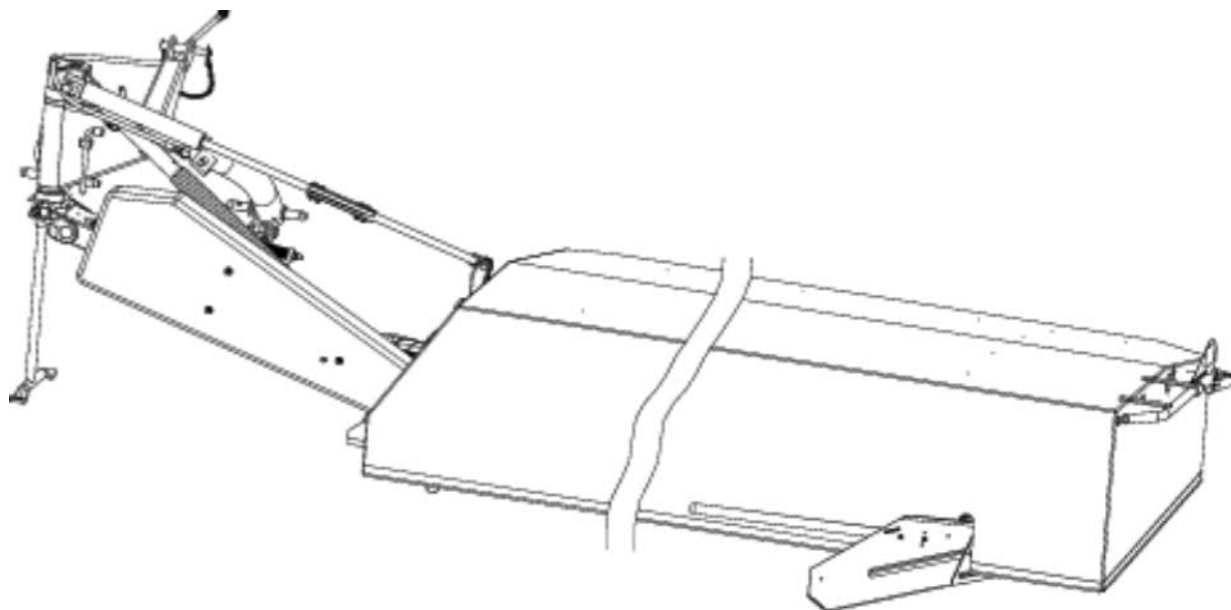
---



---

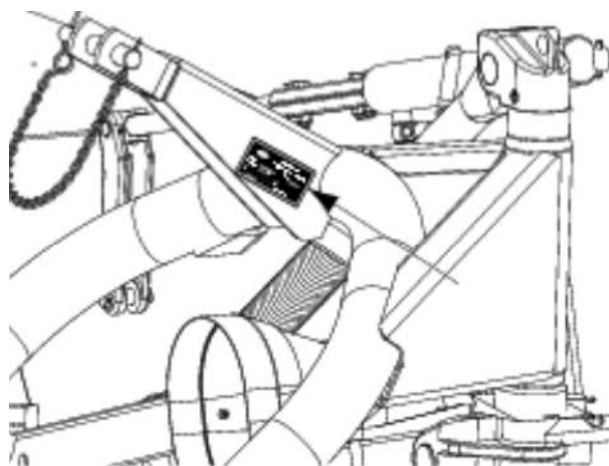
### 2. Rear view

---



### 3. Model identification plate

Please write below the type and serial number of the machine. This information is to be indicated to the dealer for all spare parts orders.



Type: **DM1270**

No:



### 4. Optional equipments

Tick box corresponding to the equipment fitted on your machine:

- Kit no. **KN1016400**: Raised skid shoes.
- Kit no. **KN1036000**: Inner swath shield.
- Kit no. **KN1046060**: High cone disc.
- Kit no. **KN1046070**: Compensating spring.

---

## SAFETY

---

---

### 1. Description of symbols used in this document

---

This symbol indicates a potentially hazardous situation that if not avoided, could result in serious bodily injury.



This symbol is used to identify special instructions or procedures which, if not followed strictly, could result in machinery damage.



This symbol is used to communicate technical information of particular interest.





**Suggest:**

**For more complete manuals. Please go to the home page.**

**<https://www.ebooklibonline.com>**

**If the above button click is invalid. Please download this document first, and then click the above link to download the complete manual.**

**Thank you so much for reading**

## 2. Safety instructions

### ■ Introduction

The machine must only be operated, maintained and repaired by qualified persons who are familiar with the machine's operation and understand safety regulations and procedures for preventing accidents.

The operator must follow the safety instructions in this manual and in the warnings posted on the machine. The operator is also obliged to respect current legislation concerning accident prevention, work safety and public traffic circulation.

The intended use of the machine includes following all operation, maintenance and repair recommendations given by the manufacturer, and using only genuine spare parts, equipment and accessories, as recommended by the manufacturer.

The manufacturer is not held liable for any damage resulting from machine applications other than those specified by the manufacturer. Any use other than the designated operation is at the risk and responsibility of the operator.

The manufacturer is not held liable for any damage or accidents resulting from machine modifications carried out by the operator himself or by a third party without previous written agreement from the manufacturer.

### ■ Read and follow the safety instructions

Before using the machine, carefully read all the safety instructions in this manual and the warnings placed on the machine.

Before starting work, the operator must be familiar with all machine controls, handling devices and their functions. It is too late to learn once work has been started!

Never let anyone operate the machine who is not trained to do so.

Should you have any difficulties in understanding certain parts in this manual, please contact your John Deere dealer.



### ■ Precautions to be taken before carrying out any operations on the machine

Before leaving the tractor or before adjusting, maintaining or repairing the machine, disengage the PTO drive, turn off the engine, remove ignition key and wait until all moving parts have come to a complete stop and apply park brake.



## ■ Precautions to take before using the machine

Do not wear loose clothing which could become caught up in moving parts.

Wear appropriate protective clothing (gloves, shoes, goggles, helmet, ear-protectors, etc.).

Make sure that all operating controls (ropes, cables, rods, etc) are placed so that they cannot be set off accidentally, risking accident or damage.

Before operating the machine, check tightness of nuts and bolts, particularly on components that the machine uses to process material (tines, forks, blades, knives, etc). Retighten if necessary.

Before operating the machine, ensure that all the safety guards are firmly in place and in good condition. Immediately replace any worn or damaged guard.



## ■ Precautions when driving

Precision steering, tractor adherence, road holding and efficient braking are influenced by the type of implement, weight, ballast of front axle, ground or road conditions. It is therefore of the utmost importance to be cautious in every given situation.

Drive speed must be adapted to ground conditions as well as to roads and paths. Always avoid abrupt changes of direction.

Be particularly cautious when turning corners, paying attention to machine overhang, length, height and weight.

Never use a narrow track tractor on very uneven or steeply sloping ground.

Never leave the tractor seat while the machine is operating.

Carrying people or animals on the machine when working or in transport is strictly forbidden.



**<https://www.ebooklibonline.com>**

Hello dear friend!

Thank you very much for reading.

Enter the link into your browser.

The full manual is available for immediate download.

**<https://www.ebooklibonline.com>**