

OPERATOR'S MANUAL

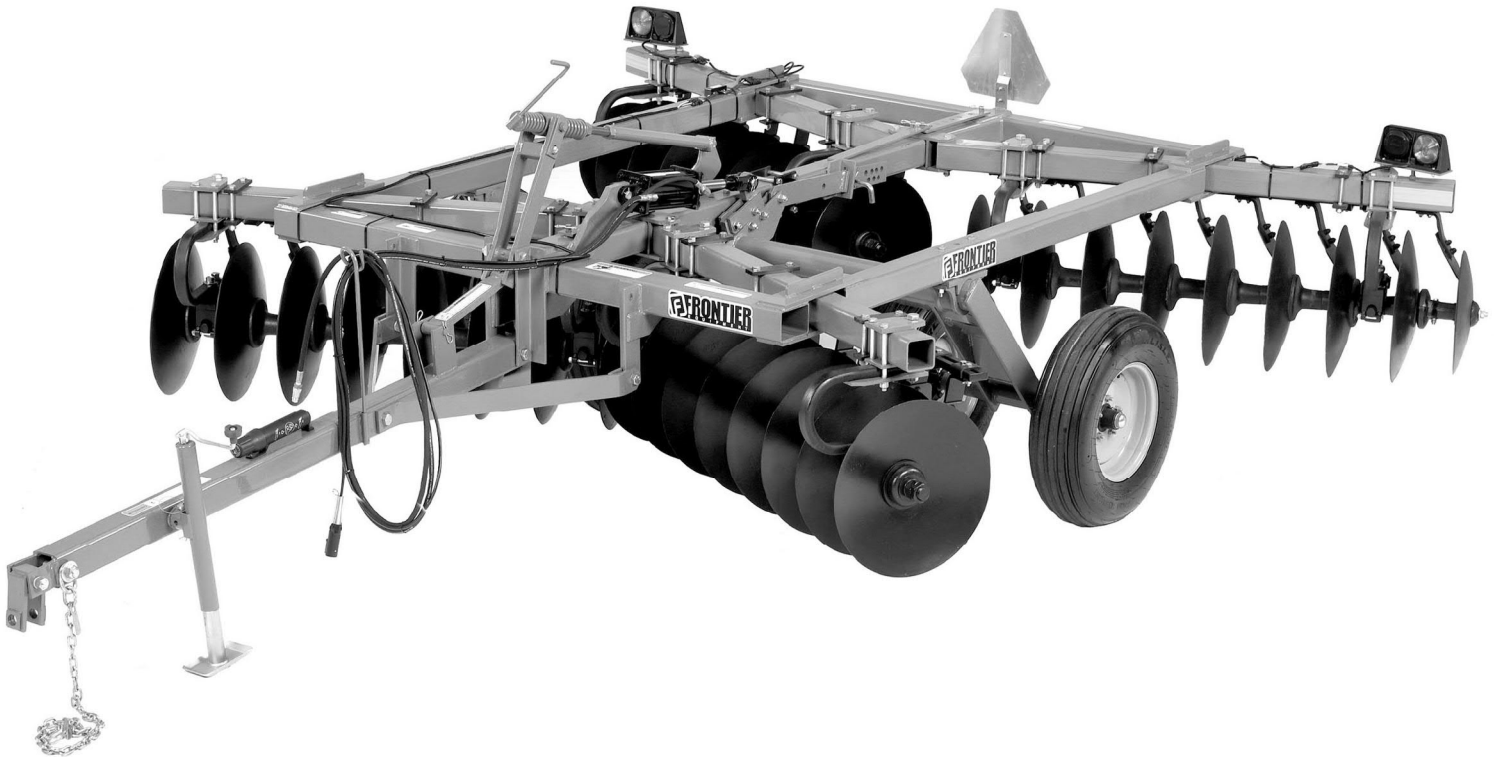
DISK HARROWS

DH1610

DH1613

DH1612

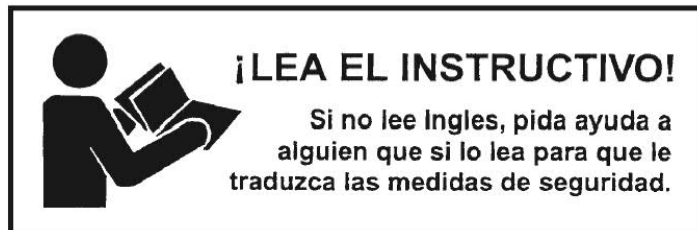
DH1615



FRONTIER
EQUIPMENT™

TABLE OF CONTENTS

INTRODUCTION	ii
SPECIFICATIONS / GENERAL INFORMATION	1 - 2
SAFETY DECALS	3 - 4
SAFETY RULES	5 - 8
DEALER INSTRUCTIONS	9 - 18
OPERATION	19 - 22
TROUBLE SHOOTING.	23
OWNER SERVICE	24 - 25
ASSEMBLY SCHEMATIC.	26
PARTS CATALOG	27 - 35
OPTIONAL EQUIPMENT	36 - 40
BOLT AND TORQUE CHART	41
NOTES	42



SPECIFICATIONS

MODEL	DH1610	DH1612	DH1613	DH1615
Dimensions				
Working width, ft. in. (cm)	10'6"	12'	13'6"	15'
Weight				
Operating, lb (kg)	4185-4851	4538-5237	4950-5857	5291-6236
Shipping, lb (kg)	4585-5251	4938-5637	5350-6257	5691-6636
Tractor requirements				
Horsepower range, hp (kW)	60-80	75-115	75-125	80-140
Hitch				
Type	Level lift drawn with clevis	Level lift drawn with clevis	Level lift drawn with clevis	Level lift drawn with clevis
Category	NA	NA	NA	NA
Quick coupler compatibility	NA	NA	NA	NA
Blade				
Spacing				
Front, in. (cm)	9"	9"	9"	9"
Rear, in. (cm)	9"	9"	9"	9"
Size, in. (cm)	22"	22"	22"	22"
Thickness, in. (mm)	0.177 (4.5mm) Standard 0.236(6mm) Optional	0.177 (4.5mm) Standard 0.236(6mm) Optional	0.177 (4.5mm) Standard 0.236(6mm) Optional	0.177 (4.5mm) Standard 0.236(6mm) Optional
Quantity	28	32	36	40
Weight/Blade(lbs/blade)	149-173 lbs.	142-164 lbs.	138-163 lbs.	132-156 lbs.
Type	---	---	---	---
Notched (front) / Notched (rear)	Available	Available	Available	Available
Smooth (front)/ Smooth (rear)	Standard	Standard	Standard	Standard
Notched (front) / Smooth (rear)	Available	Available	Available	Available
Gang axle				
Diameter, in. (mm)	1.5	1.5	1.5	1.5
Type	Square	Square	Square	Square
Material	C1045	C1045	C1045	C1045

<https://www.ebooklibonline.com>

Hello dear friend!

Thank you very much for reading.

Enter the link into your browser.

The full manual is available for immediate download.

<https://www.ebooklibonline.com>

SPECIFICATIONS, Con't.

MODEL	DH1610	DH1612	DH1613	DH1615
Gang angles				
Front (degrees)	5, 8, 9, 11, 13, 14, 16, 18, 19, 21, 22, 25	5, 8, 9, 11, 13, 14, 16, 18, 19, 21, 22, 25	6, 8, 10, 12, 14, 16, 17, 19, 22	6, 8, 10, 12, 14, 16, 17, 19, 22
Rear (degrees)	5, 8, 10, 12, 13, 14, 16, 17, 19, 20, 21, 24	5, 8, 10, 12, 13, 14, 16, 17, 19, 20, 21, 24	8, 11, 12, 14, 16, 17, 19, 20, 22, 24	8, 11, 12, 14, 16, 17, 19, 20, 22, 24
Tubing				
Frame, in. (mm)	4x4x0.25 and 6x4x0.25	4x4x0.25 and 6x4x0.25	4x4x0.25 and 6x4x0.25	4x4x0.25 and 6x4x0.25
Gang, in. (mm)	4x4x0.25	4x4x0.25	4x4x0.25	4x4x0.25
Bearing hanger				
Material	Steel	Steel	Steel	Steel
Rigid Tubular Hanger	Standard	Standard	Standard	Standard
C-Spring Hanger	Optional	Optional	Optional	Optional
Bearing type	Self aligning trunion mount, sealed or lubricated ball bearings	Self aligning trunion mount, sealed or lubricated ball bearings	Self aligning trunion mount, sealed or lubricated ball bearings	Self aligning trunion mount, sealed or lubricated ball bearings
Depth control				
Type	Pin adjust, center mount	Pin adjust, center mount	Pin adjust, center mount	Pin adjust, center mount
Lighting and safety				
Transport lights	Standard	Standard	Standard	Standard
Safety chain	Standard	Standard	Standard	Standard
Jack	Standard	Standard	Standard	Standard
Hydraulics				
Cylinder size, in. (cm)	4x8	4x8	4x8	4x8
Hose length, in. (cm)	160"	160"	160"	160"
Tires				
Type	Pneumatic	Pneumatic	Pneumatic	Pneumatic
Size	9.5L-15 6 ply	9.5L-15 6 ply	9.5L-15 6 ply	9.5L-15 6 ply
Set-up time				
Labor hours	4 hrs	4 hrs	4 hrs	4 hrs
Warranty				
Time period	One year	One year	One year	One year

GENERAL INFORMATION

The purpose of this manual is to assist you in operating and maintaining your Disc Harrow. Read it carefully. It furnishes information and instructions that will help you achieve years of dependable performance.

These instructions have been compiled from field experience and engineering data. Some information may be general in nature, due to unknown and varying operating conditions. However, through experience and these instructions, you should be able to develop procedures suitable to your particular situation.

The illustrations and data used in this manual were current at the time of printing. However, due to possible inline production changes, your machine may vary slightly in detail. We reserve the right to redesign and change the machines as may be necessary without notification.

Throughout this manual, references are made to right and left direction. These are determined by standing behind the tractor facing the direction of forward travel.

SAFETY & INSTRUCTIONAL DECALS

ATTENTION! BECOME ALERT! YOUR SAFETY IS INVOLVED!

FAILURE TO FOLLOW THESE INSTRUCTIONS COULD RESULT IN SERIOUS INJURY OR DEATH
Replace Decals Immediately If Damaged!

	⚠ WARNING
CRUSHING AND PINCHING HAZARD	
<ul style="list-style-type: none"> • Be extremely careful handling various parts of the machine. They are extremely heavy and hands, fingers, feet and other body parts could be crushed or pinched between tractor and implement. • Operate tractor controls from tractor seat only. 	<ul style="list-style-type: none"> • Do not stand between tractor and implement when tractor is in gear. • Make sure parking brake is engaged before going between tractor and implement. • Stand clear of machine when in operation or being raised or lowered.
15194A	

①

5TL15194A

	⚠ WARNING
FALLING BLADE HAZARD	
<ul style="list-style-type: none"> • Can cause serious injury or death. • Keep hands and feet from under raised blade. • Always put disc in the lowered position and check gangs to prevent rolling when disconnecting disc gangs for maintenance or repair. 	
15194B	

②

5TL15194B

⚠ WARNING
TO AVOID INJURY INSTALL CYLINDER LOCKUP(S) BEFORE TRANSPORTING OR SERVICING MACHINE
15362

③

5TL15362

PRODUCT IDENTIFICATION NUMBER
FRONTIER SERIAL NO. 15194A

④

Serial Number Plate

	⚠ WARNING
TO PREVENT SERIOUS INJURY OR DEATH:	
<ul style="list-style-type: none"> • Avoid unsafe operation and maintenance. Do not operate or work on this machine without reading and understanding the operator's manual. • If manual is lost, contact your dealer. 	
15194C	

⑤

5TL15194C

⚠ WARNING
Avoid serious injury from injection of pressurized hydraulic fluid.
Always relieve pressure before performing service or maintenance on any hydraulic components. Refer to tractor and implement Operator's Manuals.
Do not use hand to search for leaks. Use cardboard or similar material.
15364

⑥

5TL15364

5TL15194D

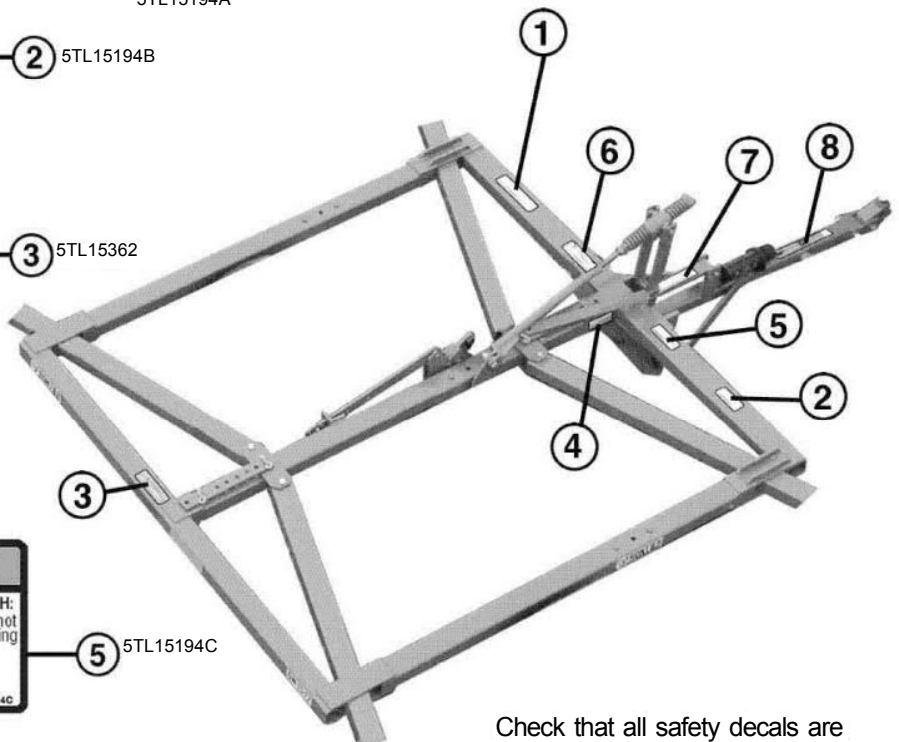
⑦

⚠ WARNING	
<ul style="list-style-type: none"> • DO NOT allow others to ride on the machine or tractor. • Park or block disc so it will not roll when disconnecting from tractor drawbar. • Never go underneath equipment (lowered to the ground or raised) unless it is properly blocked and secured. 	<ul style="list-style-type: none"> • Never place any part of the body underneath equipment or between movable parts even when the engine has been turned off. • Be sure that everyone is standing clear before operating the machine. • DO NOT operate or transport at high speeds. • DO NOT operate or transport on steep slopes.
15194D	

5TL15363

⑧

⚠ WARNING		<p>Do not exceed this implement's maximum transport speed of 32 km/h (20 mph).</p> <p>Exceeding this speed may result in loss of control during transport or braking and serious injury or death.</p>	<p>Transport only with a properly ballasted tractor and a properly attached safety tow chain.</p> <p>Do not transport with a motor vehicle.</p> <p>Reduce speed and use additional caution when on inclines, towing under adverse surface conditions, and turning.</p>
15363			



Check that all safety decals are installed and in good condition. Replace if decals are worn or damaged. Replacement Part numbers are listed here.



Suggest:

For more complete manuals. Please go to the home page.

<https://www.ebooklibonline.com>

If the above button click is invalid. Please download this document first, and then click the above link to download the complete manual.

Thank you so much for reading

SAFETY REFLECTOR DECALS

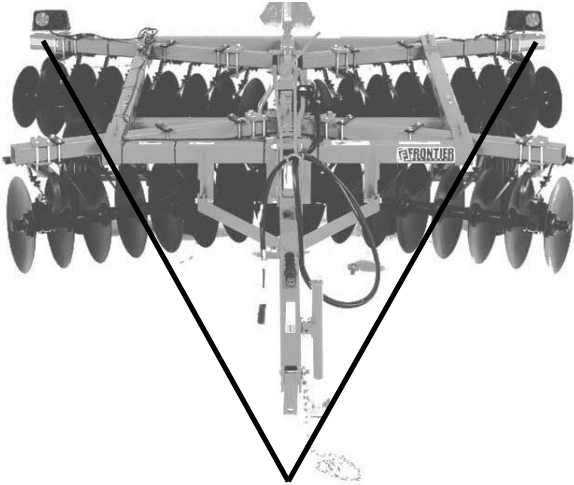
ATTENTION! BECOME ALERT! YOUR SAFETY IS INVOLVED!

FAILURE TO FOLLOW THESE INSTRUCTIONS COULD RESULT IN SERIOUS INJURY OR DEATH

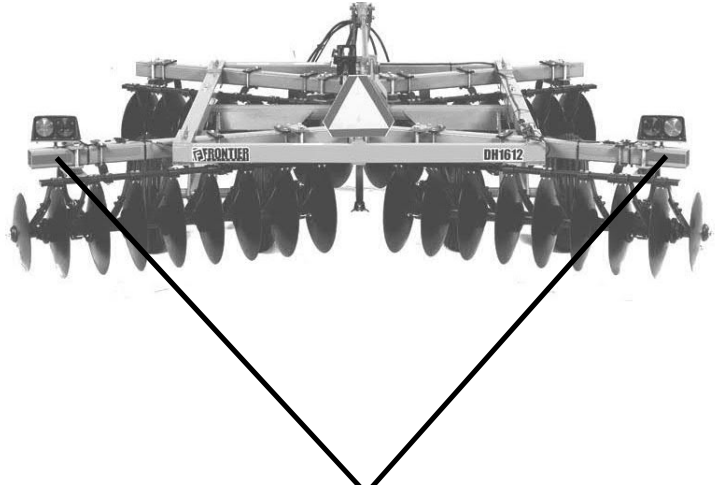
Replace Decals Immediately If Damaged!

Check that all reflector decals are installed and in good condition. Replace if decals are worn or damaged.

DH1610, DH1612 and DH1613 Reflector Decals

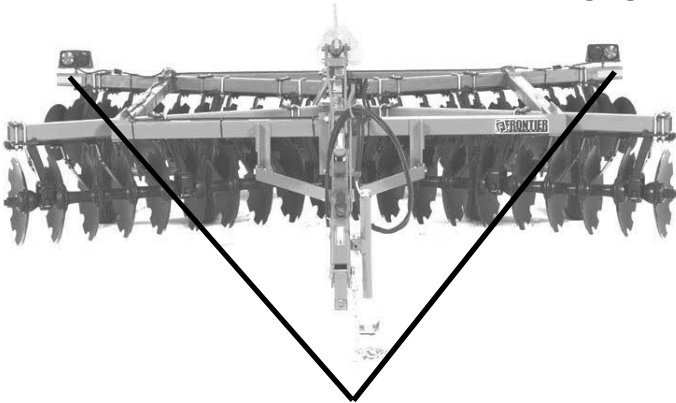


9" YELLOW REFLECTORS
5TL15200

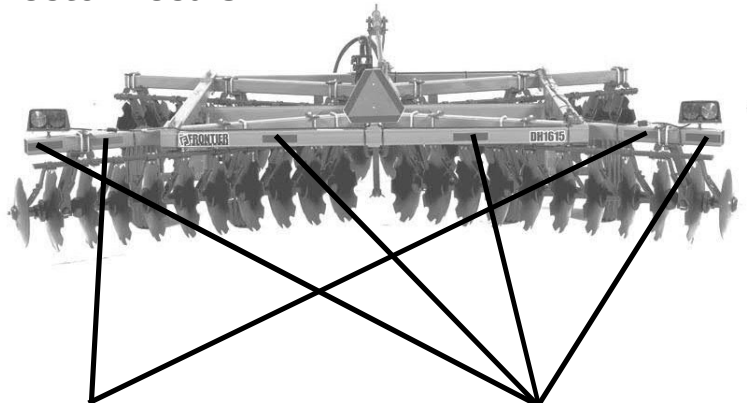


9" RED REFLECTORS
5TL15199

DH1615 Reflector Decals



9" YELLOW REFLECTORS
5TL15200



9" ORANGE REFLECTORS
5TL15361

9" RED REFLECTORS
5TL15199



SAFETY RULES



ATTENTION! BECOME ALERT! YOUR SAFETY IS INVOLVED!

Safety is a primary concern in the design and manufacture of our products. Unfortunately, our efforts to provide safe equipment can be wiped out by an operator's single careless act.

In addition to the design and configuration of equipment, hazard control and accident prevention are dependent upon the awareness, concern, judgement, and proper training of personnel involved in the operation, transport, maintenance and storage of equipment.

It has been said "The best safety device is an informed, careful operator." We ask you to be that kind of operator.

TRAINING

- Safety instructions are important! Read all attachment and power unit manuals; follow all safety rules and safety decal information. (Replacement manuals are available from selling dealer.) Failure to follow instructions or safety rules can result in serious injury or death.
- If you do not understand any part of this manual and need assistance, see your dealer.
- Operators must be instructed in and be capable of the safe operation of the equipment, its attachments, and all controls. Do not allow anyone to operate this equipment without proper instructions.
- Never allow children or untrained persons to operate equipment.
- Train all new personnel and review instruction's frequently with existing workers. A person who has not read and understood all operating and safety instructions is not qualified to operate the machine. An untrained operator exposes himself and bystanders to possible serious injury or death.
- Keep hands and body away from pressurized lines. Use paper or cardboard, not hands or other body parts to check for leaks. Wear safety

goggles. Hydraulic fluid under pressure can easily penetrate skin and will cause serious injury or death.

- Make sure that all operating and service personnel know that if hydraulic fluid penetrates skin, it must be surgically removed as soon as possible by a doctor familiar with this form of injury or gangrene, serious injury, or death will result.

CONTACT A PHYSICIAN IMMEDIATELY IF FLUID ENTERS SKIN OR EYES. DO NOT DELAY.

PREPARATION

- Always wear relatively tight and belted clothing to avoid getting caught in moving parts. Wear sturdy, rough-soled work shoes and protective equipment for eyes, hair, hands, hearing, and head; and respirator or filter mask where appropriate.
- Make sure attachment is properly secured, adjusted, and in good operating condition.
- Air in hydraulic systems can cause erratic operation and allows loads or equipment components to drop unexpectedly. When connecting equipment or hoses or performing any hydraulic maintenance, purge any air in hydraulic system by operating all hydraulic functions several times. Do this before putting into service or allowing anyone to approach the equipment.
- Route hydraulic hoses carefully to prevent damage. Hoses must not be twisted, bent sharply, kinked, frayed, pinched, or come into contact with any moving parts. Operate moveable components through full operational range to check clearances. Replace any damaged hose immediately.
- Do not connect a low-pressure hydraulic hose into a high-pressure system—it will burst the hose. Do not use a high-pressure hose in place of a low-pressure hose—it is possible to rupture the valve.

<https://www.ebooklibonline.com>

Hello dear friend!

Thank you very much for reading.

Enter the link into your browser.

The full manual is available for immediate download.

<https://www.ebooklibonline.com>