

**6610 and 6710**  
(from serial no. 502343)  
**and 6810 and 6910**  
(from serial no. 502249)  
**Self-Propelled**  
**Forage Harvesters**

**John Deere Werke Zweibrücken**  
**OMZ92519 Issue L6**

**European Edition**  
Printed in Germany  
**ENGLISCH**

# Introduction

READ THIS MANUAL carefully to learn how to operate and service your machine correctly. Failure to do so could result in personal injury or equipment damage. This manual and safety signs on your machine may also be available in other languages (see your John Deere dealer to order).

THIS MANUAL SHOULD BE CONSIDERED a permanent part of your machine and should remain with the machine when you sell it.

MEASUREMENTS in this manual are given in both metric and customary U.S. unit equivalents. Use only correct replacement parts and fasteners. Metric and inch fasteners may require a specific metric or inch wrench.

RIGHT-HAND AND LEFT-HAND sides are determined by facing the direction of forward travel.

WRITE PRODUCT IDENTIFICATION NUMBERS (P.I.N.) in the Specification or Identification Numbers section. Accurately record all the numbers to help in tracing the machine should it be stolen. Your dealer also needs these numbers when you order parts. File the identification numbers in a secure place off the machine.

SETTING FUEL DELIVERY BEYOND PUBLISHED factory specifications or otherwise overpowering will result in loss of warranty protection for this machine.

BEFORE DELIVERING THIS MACHINE, your dealer performed a predelivery inspection. After operating for the first 20 to 50 hours, schedule an after-sale inspection with your dealer to ensure best performance.

THIS FORAGE HARVESTER IS DESIGNED SOLELY for use in customary agricultural or similar operations ("INTENDED USE").

Use in any other way is considered as contrary to the intended use. The manufacturer accepts no liability for damage or injury resulting from this misuse, and these risks must be borne solely by the user. Compliance with and strict adherence to the conditions of operation, service and repair as specified by the manufacturer also constitute essential elements for the intended use.

THIS FORAGE HARVESTER SHOULD BE OPERATED, serviced and repaired only by persons familiar with all its particular characteristics and acquainted with the relevant safety rules (accident prevention).

The accident prevention regulations, all other generally recognized regulations on safety and occupational medicine and the road traffic regulations must be observed at all times.

Any arbitrary modifications carried out on this forage harvester will relieve the manufacturer of all liability for any resulting damage or injury.

# Contents

	Page		Page
<b>Identification View</b> . . . . .	00-1	Automatic kernel processor roll clearance . . .	20-23
<b>Safety</b>		Manual kernel processor roll clearance . . . .	20-23
General . . . . .	05-1	ROW-TRAK control unit . . . . .	20-24
Operation . . . . .	05-6	<b>Lighting System and Signals</b>	
Service . . . . .	05-12	Parking lights/low-beam headlights . . . . .	25-1
<b>Safety Decals</b> . . . . .	10-1	Full-beam headlights . . . . .	25-1
<b>Controls and Instruments</b>		Turn signals . . . . .	25-2
General view . . . . .	15-1	Work lights . . . . .	25-4
Switch console . . . . .	15-2	Beacon lights . . . . .	25-5
Multi-function lever . . . . .	15-5	Hazard warning lights . . . . .	25-5
Corner post . . . . .	15-6	Indicator light test . . . . .	25-6
Roof switch console . . . . .	15-7	<b>Operator's Cab</b>	
Roof console . . . . .	15-8	Operator's seat . . . . .	30-1
Automatic function control . . . . .	15-9	Lumbar support . . . . .	30-2
Steering column . . . . .	15-10	Left-hand armrest . . . . .	30-2
Switch console — functions . . . . .	15-11	Right-hand armrest . . . . .	30-2
Multi-function lever — functions . . . . .	15-20	Ashtray . . . . .	30-3
Roof switch console — functions . . . . .	15-23	Air comfort seat . . . . .	30-4
Steering column — functions . . . . .	15-25	Passenger seat . . . . .	30-4
<b>Warning Devices and Monitors</b>		Storage compartment for Operator's	
Indicator lights I . . . . .	20-1	Manuals . . . . .	30-4
Indicator lights II . . . . .	20-4	Cooling compartment . . . . .	30-5
Fuel gauge . . . . .	20-7	Steering column . . . . .	30-5
Coolant temperature gauge . . . . .	20-7	Foot brakes . . . . .	30-6
Automatic function control lights . . . . .	20-8	Parking brake . . . . .	30-6
Infotrak monitor . . . . .	20-9	Releasing parking brake . . . . .	30-7
Input of specific machine data . . . . .	20-11	Sun visor . . . . .	30-7
Cutterhead alarm speed . . . . .	20-14	Inside mirror . . . . .	30-7
SERVICE information . . . . .	20-14	Outside mirror . . . . .	30-8
Automatic function control . . . . .	20-15	Interior lighting . . . . .	30-8
Sharpening cycles . . . . .	20-16	Digital clock . . . . .	30-8
Automatic knife sharpening . . . . .	20-17	Adjustable air louvers . . . . .	30-9
Sharpening stone home position (manual) . . . . .	20-19	Radio and CB radio . . . . .	30-10
Automatic stationary knife adjustment . . . . .	20-19	<b>Pre-Starting Checks</b>	
Manual stationary knife adjustment . . . . .	20-21	Daily checks . . . . .	35-1
Kernel processor roll clearance . . . . .	20-22	Engine oil level . . . . .	35-1
		Hydraulic oil level . . . . .	35-1

Continued on next page

*All information, illustrations and specifications in this manual are based on the latest information available at the time of publication. The right is reserved to make changes at any time without notice.*

OMZ92519 L6-19-06DEC96

COPYRIGHT© 1996  
DEERE & COMPANY  
European Office Mannheim  
All rights reserved  
A John Deere ILLUSTRATION® Manual  
Previous Editions  
Copyright 1994, 1992, 1991 Deere & Company

**<https://www.ebooklibonline.com>**

Hello dear friend!

Thank you very much for reading.

Enter the link into your browser.

The full manual is available for immediate download.

**<https://www.ebooklibonline.com>**

Page	Page		
Fuel level . . . . .	35-2	Reverser operation . . . . .	65-7
Tires . . . . .	35-2	<b>Feeding System</b>	
Hydrostatic oil level . . . . .	35-2	Safety information . . . . .	70-1
Fuel system . . . . .	35-3	Locking pin . . . . .	70-1
Lubricating the forage harvester . . . . .	35-3	Electromagnetic clutch . . . . .	70-2
Checks in operator's cab . . . . .	35-3	Cutterhead speed sending unit . . . . .	70-4
		Length-of-cut transmission . . . . .	70-4
<b>Operating the Engine</b>		Adjusting length of cut . . . . .	70-5
Starting the engine . . . . .	40-1	Harvesting unit speed . . . . .	70-6
Engine oil pressure indicator light . . . . .	40-4	Feed roll slip clutch . . . . .	70-7
Warming up engine . . . . .	40-4	Length-of-cut transmission service . . . . .	70-7
Engine idle . . . . .	40-4	Feed roll drive . . . . .	70-9
Ether starting aid . . . . .	40-5	Replacing wear plates . . . . .	70-9
Coolant heater . . . . .	40-8	Upper feed roll guides . . . . .	70-11
Booster battery . . . . .	40-9	Feed roll spring attaching points . . . . .	70-12
Stopping the engine . . . . .	40-10	Adjusting feed roll springs . . . . .	70-13
Cold weather operation . . . . .	40-10	Opening feed roll housing . . . . .	70-13
		Smooth roll scraper . . . . .	70-14
<b>Driving and Transporting Forage Harvester</b>		Closing feed roll housing . . . . .	70-15
Driving the forage harvester . . . . .	45-1	Feed roll housing safety switch . . . . .	70-16
Releasing the parking brake . . . . .	45-1	Hydraulic reverser motor . . . . .	70-17
Operating foot brakes . . . . .	45-2	Troubleshooting — feeding system . . . . .	70-18
Engaging a gear . . . . .	45-2		
Road safety switch . . . . .	45-3	<b>Metal Detector</b>	
Adjusting engine speed . . . . .	45-3	Metal detector operation . . . . .	75-1
Forward and reverse travel . . . . .	45-4	Activating the metal detector . . . . .	75-2
Travel speed . . . . .	45-4	Operation without metal detector . . . . .	75-3
Hydrostatic system . . . . .	45-5	When ferrous metal is detected . . . . .	75-4
Four-wheel drive . . . . .	45-6	Adjusting the locking pawl . . . . .	75-5
Reverse travel alarm . . . . .	45-7	Metal detector test . . . . .	75-7
Transport information . . . . .	45-7	Safety rules . . . . .	75-9
		Electronic box . . . . .	75-10
<b>Wheels and Ballast</b>		Relay box . . . . .	75-11
Tire maintenance . . . . .	50-1	Indicator light test chart . . . . .	75-15
Tire weights . . . . .	50-6	Test charts . . . . .	75-16
Rear weights . . . . .	50-7	Troubleshooting . . . . .	75-18
<b>Harvesting Units and Attachments</b> . . . . .	55-1	<b>Cutterhead and Drive</b>	
		Drive . . . . .	80-1
<b>Attaching and Detaching Harvesting Units</b>		Main clutch . . . . .	80-2
Attaching 6-row row crop unit . . . . .	60-1	Replacing main drive belt . . . . .	80-4
		Checking belt alignment . . . . .	80-8
<b>Preparations and Field Operation</b>		Cutterhead knives . . . . .	80-9
Preparations for harvesting grass . . . . .	65-1	Replacing partial set of knives . . . . .	80-11
Preparations for harvesting corn (maize) . . . . .	65-1	Replacing complete set of knives . . . . .	80-12
Preparations for harvesting whole plant silage . . . . .	65-2	Replacing clamp bar . . . . .	80-14
Preparations for ear corn silage . . . . .	65-2	Replacing threaded bar . . . . .	80-14
Field operation of forage harvester . . . . .	65-3	Knife screw torque . . . . .	80-15
		Preparations for knife sharpening . . . . .	80-15
		Manual knife sharpening . . . . .	80-16

Continued on next page

Contents

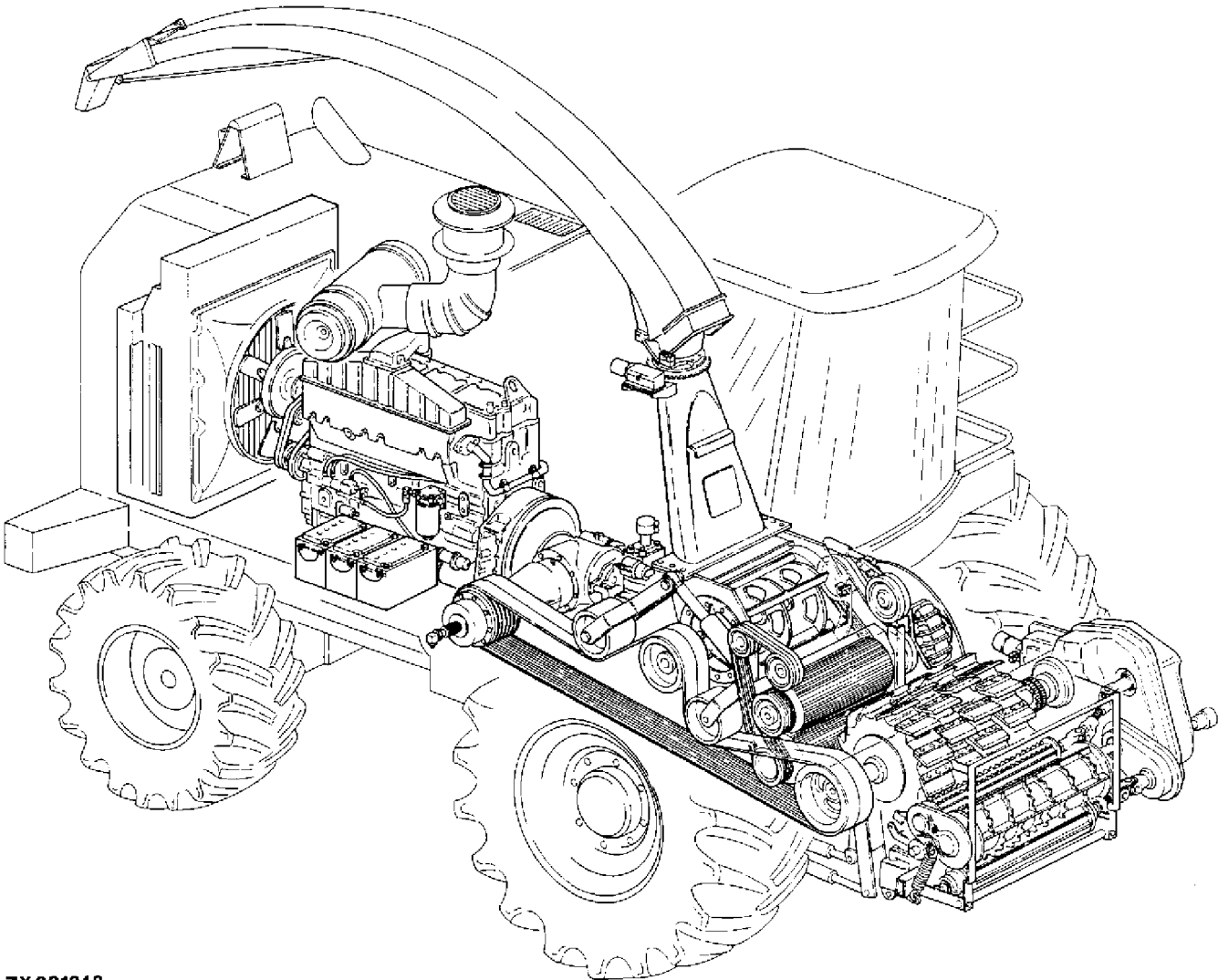
	Page		Page
Automatic knife sharpening device . . . . .	80-20	<b>Discharge</b>	
Replacing sharpening stone . . . . .	80-22	Blower and discharge spout . . . . .	90-1
Aligning knife sharpening device . . . . .	80-24	Blower bottom . . . . .	90-1
Sharpening stone end switch . . . . .	80-25	Replacing wear plate . . . . .	90-1
Adjusting stationary knife . . . . .	80-26	Checking parts for wear . . . . .	90-4
Checking stationary knife . . . . .	80-31	Installing wear plate . . . . .	90-4
Removing stationary knife . . . . .	80-32	Installing blower paddles . . . . .	90-5
Installing stationary knife . . . . .	80-33	Adjusting blower paddles . . . . .	90-6
Eliminating end play of adjusting spindle . . .	80-35	Adjusting deflecting edges . . . . .	90-6
Bottom and outlet bands . . . . .	80-37	Spout base service covers . . . . .	90-7
Adjusting bottom band . . . . .	80-37	Spout work gear and ring gear . . . . .	90-9
Adjusting outlet band . . . . .	80-38		
Recirculating screens . . . . .	80-40	<b>Fuel, Lubricants, Coolant and Capacities</b>	
Installing/changing recirculating screen . . . .	80-40	Fuel . . . . .	95-1
Adjusting the recirculating screen . . . . .	80-43	Diesel engine oil . . . . .	95-2
Installing spiral floor . . . . .	80-45	Engine coolant . . . . .	95-4
Adjusting the recutter floor . . . . .	80-46	Gear oil . . . . .	95-5
Adjusting spiral floor . . . . .	80-46	Brake fluid . . . . .	95-9
Cutterhead service cover . . . . .	80-49	Grease . . . . .	95-9
Transition chute . . . . .	80-50		
Removing cutterhead with harvesting unit . . .	80-51	<b>Lubrication, Periodic Service</b>	
Installing cutterhead with harvesting unit . . .	80-55	Lubrication charts . . . . .	100-2
Main drive troubleshooting . . . . .	80-56	Break-in service . . . . .	100-10
Cutterhead troubleshooting . . . . .	80-57	Service intervals . . . . .	100-10
Knife sharpener troubleshooting . . . . .	80-58	After the first 100 operating hours . . . . .	100-12
Stationary knife troubleshooting . . . . .	80-60	Every 250 operating hours . . . . .	100-12
		Every 500 operating hours . . . . .	100-13
		Every 1000 operating hours . . . . .	100-13
		Every 1500 operating hours . . . . .	100-13
		Every 2000 operating hours . . . . .	100-14
		As required . . . . .	100-14
		Every year . . . . .	100-14
		Every 2 years . . . . .	100-14
		V-belts . . . . .	100-15
		Chains . . . . .	100-15
<b>Kernel Processor</b>		<b>Service — Engine</b>	
Kernel processor quick conversion . . . . .	85-1	Engine access . . . . .	105-1
Breaking-in kernel processor . . . . .	85-8	Engine compartment . . . . .	105-5
Field operation . . . . .	85-9	Adjusting engine valve clearance . . . . .	105-5
Kernel processor service . . . . .	85-9	Rocker arm cover and crankcase	
Adjusting roll spacing . . . . .	85-10	ventilation . . . . .	105-6
Adjusting clearance indicator . . . . .	85-11	Checking crankcase oil level . . . . .	105-8
Pretension, lower roll drive belt . . . . .	85-11	Changing engine oil and filter . . . . .	105-9
Adjusting scrapers . . . . .	85-12	Service — fuel system . . . . .	105-14
Roll wear and replacement . . . . .	85-12	Fuel filler neck . . . . .	105-15
Potentiometer, automatic adjustment . . . . .	85-13	Fuel tank water trap . . . . .	105-15
Replacing lower roll drive belts . . . . .	85-13	Fuel system, John Deere engine . . . . .	105-16
Troubleshooting . . . . .	85-14	Fuel system, Cummins engine . . . . .	105-17
		Fuel shut-off valve . . . . .	105-18
<b>Power Chute</b>			
Installing power chute . . . . .	86-1		
Preparing power chute . . . . .	86-2		
Attaching power chute . . . . .	86-2		
Drive belts . . . . .	86-4		
Service and operation . . . . .	86-4		
Tensioning drive belt . . . . .	86-5		

Continued on next page

## Contents

	Page		Page
Water trap, John Deere engine . . . . .	105-18		
Fuel filter, John Deere engine . . . . .	105-19		
Checking fuel injection nozzles . . . . .	105-20		
Bleeding the fuel system . . . . .	105-20		
Fuel filter, Cummins engine . . . . .	105-22		
Fuel shut-off valve . . . . .	105-23		
Trailer hitch . . . . .	105-23		
Rotary radiator screen . . . . .	105-23		
Flushing the cooling system . . . . .	105-27		
Heater shut-off valve . . . . .	105-30		
Replacing the coolant conditioner . . . . .	105-33		
Drive belts . . . . .	105-35		
Air intake system . . . . .	105-38		
Air intake prefilter screen . . . . .	105-40		
Air cleaner element . . . . .	105-40		
Turbocharger . . . . .	105-45		
Vibration damper . . . . .	105-46		
<b>Service — Electrical System</b>			
Specifications . . . . .	110-1		
Batteries . . . . .	110-1		
Alternators . . . . .	110-4		
Starting motor . . . . .	110-5		
Access to fuse board . . . . .	110-6		
Fuse tester . . . . .	110-6		
Access to circuit boards . . . . .	110-6		
Access to electronic control unit . . . . .	110-8		
Access to relay and diode board . . . . .	110-8		
Sockets . . . . .	110-9		
Electronic system boards . . . . .	110-10		
Fuse board — fuses . . . . .	110-11		
Fuse board — relays . . . . .	110-13		
Relay and diode board . . . . .	110-14		
Solenoids . . . . .	110-15		
Electrical system operation . . . . .	110-19		
Error codes . . . . .	110-28		
Work lights . . . . .	110-38		
Headlights . . . . .	110-39		
Clearance and turn signal lights, front . . . . .	110-40		
Tail, stop and turn signal lights, rear . . . . .	110-40		
Dome light . . . . .	110-40		
Switch lighting . . . . .	110-41		
Indicator light bulbs . . . . .	110-41		
<b>Service — Hydraulic System</b>			
Pressure relief valve . . . . .	115-1		
System operation . . . . .	115-2		
Accumulators . . . . .	115-3		
		Hydraulic components — neutral oil flow . . . . .	115-4
		Draining hydraulic oil . . . . .	115-7
		Replacing hydraulic oil filter . . . . .	115-7
		Refilling hydraulic oil . . . . .	115-8
		Temperature and pressure sending units . . . . .	115-8
<b>Service — Ground Speed Drive</b>			
		Brake system . . . . .	120-1
		Brake fluid reservoir . . . . .	120-2
		Adjusting foot brakes . . . . .	120-2
		Parking brake . . . . .	120-2
		Hydrostatic drive components . . . . .	120-3
		Oil cooler . . . . .	120-4
		Oil and filter change . . . . .	120-4
		Transmission . . . . .	120-5
		Final drives . . . . .	120-5
		Front axle . . . . .	120-6
		Rear axle toe-in . . . . .	120-6
		Steering system components . . . . .	120-9
<b>Service — Air Conditioning System, Heater</b>			
		Air conditioning system components . . . . .	125-1
		Heater components . . . . .	125-2
		Compressor . . . . .	125-4
		Refrigerant level . . . . .	125-4
		Low pressure switch . . . . .	125-5
		High pressure switch . . . . .	125-5
		Cleaning the condenser . . . . .	125-6
		Cab air filters . . . . .	125-6
		Air intake opening . . . . .	125-8
		Condensed water drain hose . . . . .	125-8
<b>Storage</b>			
		After the season . . . . .	130-1
		Removing harvester from storage . . . . .	130-3
<b>Specifications</b>			
<b>Serial Numbers</b>			
		Serial number plates . . . . .	140-1
		Serial numbers . . . . .	140-2
<b>Index</b>			

# Identification View



ZX001242

ZX001242 -JUN-08FEB96

ZX,OMSPFH,TYP -19-01NOV91

# Safety

## RECOGNIZE SAFETY INFORMATION

This is the safety-alert symbol. When you see this symbol on your machine or in this manual, be alert to the potential for personal injury.

Follow recommended precautions and safe operating practices.



DX,ALERT -19-03MAR93

T81389 -UN-07DEC68

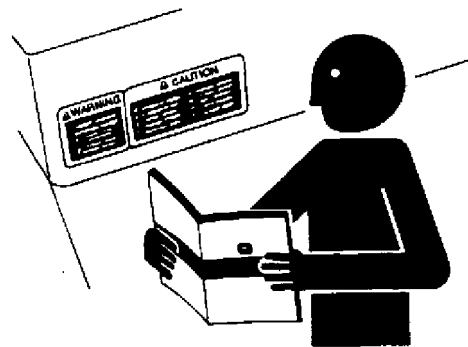
## FOLLOW SAFETY INSTRUCTIONS

Carefully read all safety messages in this manual and on your machine safety signs. Keep safety signs in good condition. Replace missing or damaged safety signs. Be sure new equipment components and repair parts include the current safety signs. Replacement safety signs are available from your John Deere dealer.

Learn how to operate the machine and how to use controls properly. Do not let anyone operate without instruction.

Keep your machine in proper working condition. Unauthorized modifications to the machine may impair the function and/or safety and affect machine life.

If you do not understand any part of this manual and need assistance, contact your John Deere dealer.



DX,READ -19-03MAR93

T5201 -UN-23AUG88

## UNDERSTAND SIGNAL WORDS

A signal word—DANGER, WARNING, or CAUTION—is used with the safety-alert symbol. DANGER identifies the most serious hazards.

DANGER or WARNING safety signs are located near specific hazards. General precautions are listed on CAUTION safety signs. CAUTION also calls attention to safety messages in this manual.



DX,SIGNAL -19-03MAR93

T5187 -19-30SEP88



## OBSERVE ROAD TRAFFIC REGULATIONS

Always observe local road traffic regulations when using public roads.



H28930 -UN-30JUN89

FX,ROAD -19-01MAY91



**CAUTION: Avoid possible injury or death from machinery runaway.**

**Do not start engine by shorting across starter terminals. Machine will start in gear if normal circuitry is bypassed.**

**NEVER start engine while standing on ground. Start engine only from operator's seat, with transmission in neutral or park.**

DX,BYPAS -19-26JAN90

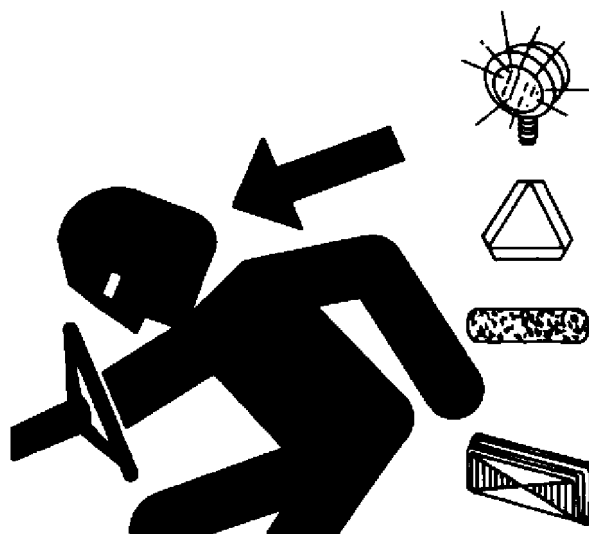


## USE SAFETY LIGHTS AND DEVICES

Slow moving tractors, self-propelled equipment and towed implements or attachments can create a hazard when driving on public roads. They are difficult to see, especially at night. Avoid personal injury or death resulting from collision with a vehicle.

If legally permitted, use flashing warning lights or rotary beacons whenever driving on public roads. To increase visibility, use the lights and devices provided with your machine. For some equipment, install additional flashing warning lights.

Keep safety items in good condition. Replace missing or damaged items. An implement safety lighting kit is available from your John Deere dealer.



TS951 -UN-12APR90

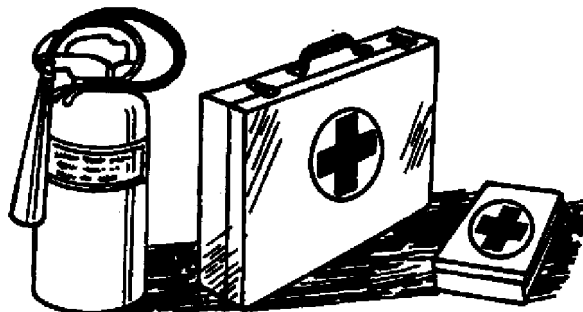
ZX,FLASH -19-01OCT91

## PREPARE FOR EMERGENCIES

Be prepared if a fire starts.

Keep a first aid kit and fire extinguisher handy.

Keep emergency numbers for doctors, ambulance service, hospital, and fire department near your telephone.



TS291 -UN-23AUG88

DX,FIRE2 -19-03MAR93



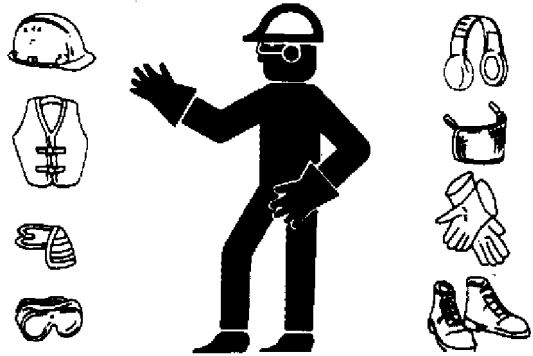
## WEAR PROTECTIVE CLOTHING

Wear close fitting clothing and safety equipment appropriate to the job.

Prolonged exposure to loud noise can cause impairment or loss of hearing.

Wear a suitable hearing protective device such as earmuffs or earplugs to protect against objectionable or uncomfortable loud noises.

Operating equipment safely requires the full attention of the operator. Do not wear radio or music headphones while operating machine.



DX,WEAR -19-10SEP90

TS206 -UN-23AUG88

## HANDLE FUEL SAFELY—AVOID FIRES

Handle fuel with care: it is highly flammable. Do not refuel the machine while smoking or when near open flame or sparks.

Always stop engine before refueling machine. Fill fuel tank outdoors.

Prevent fires by keeping machine clean of accumulated trash, grease, and debris. Always clean up spilled fuel.



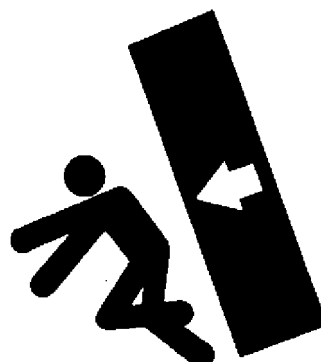
DX,FIRE1 -19-03MAR93

TS202 -UN-23AUG88

## STORE ATTACHMENTS SAFELY

Stored attachments such as dual wheels, cage wheels, and loaders can fall and cause serious injury or death.

Securely store attachments and implements to prevent falling. Keep playing children and bystanders away from storage area.



DX,STORE -19-03MAR93

TS219 -UN-23AUG88



## HANDLE STARTING FLUID SAFELY

Starting fluid is highly flammable.

Keep all sparks and flame away when using it. Keep starting fluid away from batteries and cables.

To prevent accidental discharge when storing the pressurized can, keep the cap on the container, and store in a cool, protected location.

Do not incinerate or puncture a starting fluid container.



DX,FIRE3 -19-16APR92

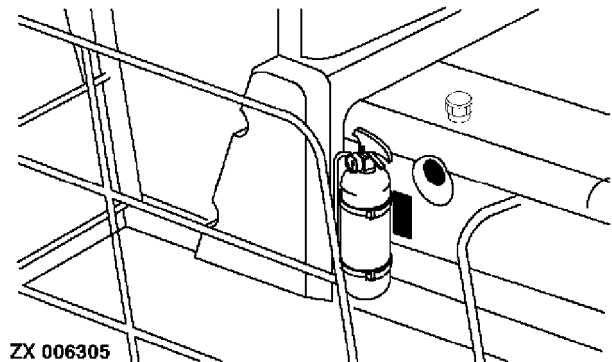
TS1356 -UN-18MAR92

## FIRE EXTINGUISHER

A 6 kg (13 lb) general purpose fire extinguisher complying with legal regulations must be installed on the left-hand side of the operator's platform.

Make sure that the fire extinguisher is always ready for operation.

Keep the engine clean and free of dust, chaff and straw to prevent the possibility of a fire.



ZX 006305

ZX,FIRESPFH -19-01JUN94

ZX006305 -UN-03APR95



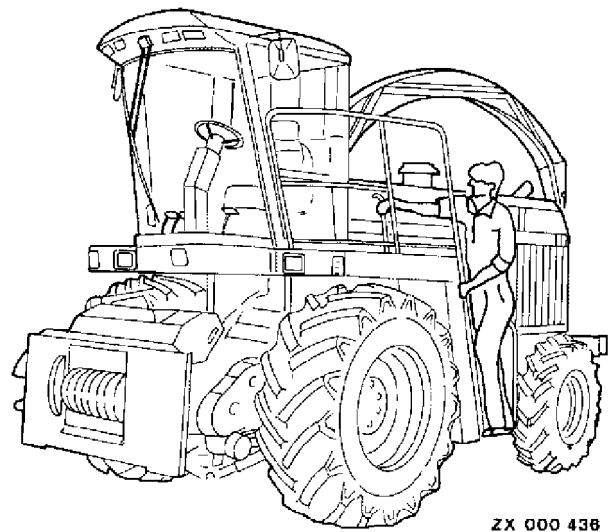
## CHECK MACHINE SAFETY

Always check the road and general operating safety of the machine before using.

FX,READY -19-28FEB91

## MOUNT AND DISMOUNT SAFELY

Use handrail when mounting or dismounting the harvester.



ZX 000 436

-JUN-03APR95  
ZX000436

ZX,HANDLE -19-01OCT91

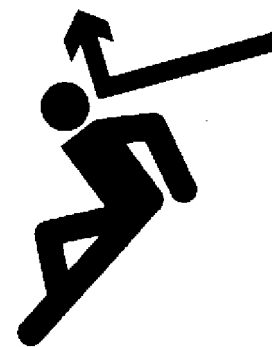
## OPERATE SAFELY

All machinery should only be operated by responsible adults who have been properly instructed and delegated to do so.

Never stand in the discharge spout path while cutterhead and fan are turning.

Never open cutterhead or fan housing doors while cutterhead is turning.

Always operate machine at rated speed.



-JUN-23AUG88  
TS263

ZX,CAUTION -19-01OCT91



## RIDERS

Only allow the operator and one rider on the machine.

Other riders are subject to injury such as being thrown off the machine and obstruct the operator's view resulting in the machine being operated in an unsafe manner.

One rider is permitted, since the machine is equipped with a factory-approved passenger seat.



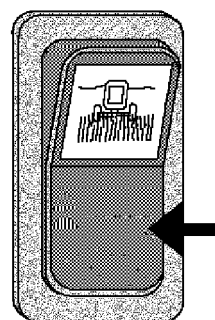
ZX,PASSENGER -19-02OCT91

TS253  
-UN-23AUG68

## ROAD SAFETY SWITCH

**IMPORTANT:** Before driving forage harvester on public roads, make sure that the road safety switch is in the road position.

This ensures that all the hydraulic functions with the exception of the steering are switched off.



ZX 002418

ZX,SWITCH -19-01MAY94

ZX002418  
-UN-16JUN95



## DRIVING THE FORAGE HARVESTER

Operate machine only when all guards are correctly installed.

Before moving away, always check immediate vicinity of machine (e.g. for children). Ensure adequate visibility. Use the horn as a warning immediately before moving away.

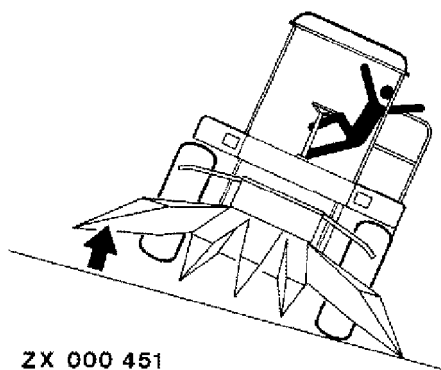
Always adapt ground speed to road or field conditions. Avoid making sharp turns when driving up or down slopes or when driving across a slope.

Attach harvesting units and other implements to forage harvester with extreme care.

When making turns, always take into consideration the width of the attachment and the fact that the rear end of the forage harvester swings out. Attachments and ground conditions affect the driving characteristics of the harvester.

Reduce ground speed when driving on slopes or over uneven ground and before making sharp turns. Before descending a steep hill, shift to a lower gear.

Avoid holes, ditches and obstructions which may cause the forage harvester to tip, particularly on hillsides.



ZX 000 451

ZX000451 -JUN-05APR95

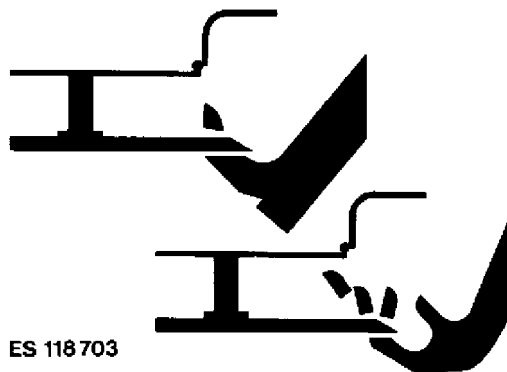
ZX,DRIVE -19-02OCT91

## GUARDS AND SHIELDS

Keep guards and shields in place at all times. Ensure that they are serviceable and installed correctly.

Always disengage main clutch, shut off engine and remove key before removing any guards or shields.

Keep hands, feet and clothing away from moving parts.



ES 118 703

ES118703 -JUN-21MAR95

FX,DEVICE -19-04DEC90



## STAY CLEAR OF HARVESTING UNITS

Cutterbar, auger, reel and feed rolls cannot be completely shielded due to their function. Stay clear of these moving elements during operation. Always disengage main clutch, shut off engine and remove key before servicing or unclogging machine.



FX,CUT -19-21DEC90

ES118704 -UN-21MAR95

## KEEP HANDS AWAY FROM KNIVES

Never attempt to clear obstructions in front of or on harvesting unit unless main clutch is disengaged, engine shut off and key removed.

Everyone must be clear of the forage harvester before starting the engine.



FX,KNIFE -19-21DEC90

-UN-23AUG88

TS254

## STAY CLEAR OF ROTATING DRIVELINES

Entanglement in rotating driveline can cause serious injury or death.

Keep tractor master shield and driveline shields in place at all times. Make sure rotating shields turn freely.

Wear close fitting clothing. Stop the engine and be sure PTO driveline is stopped before making adjustments, connections, or cleaning out PTO driven equipment.



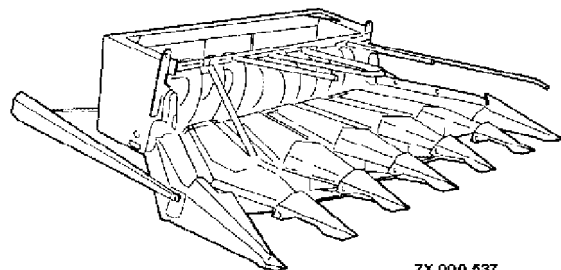
DX,PTO -19-12SEP95

-UN-22AUG95

TS1644

## AVOID ENTANGLEMENT

To avoid entanglement, do not feed crop into machine by hand or attempt to manually unplug machine while it is running. The feed rolls can feed crop material in faster than you can release your grip on the material.



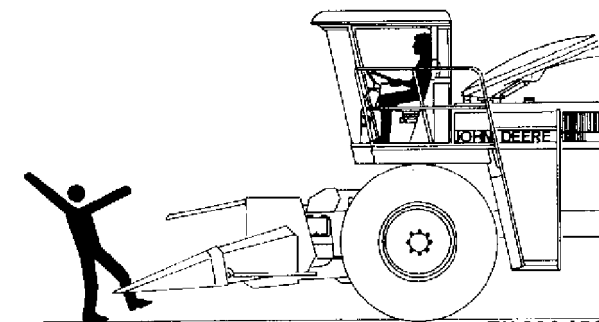
ZX,FEEDROLL -19-04DEC90

ZX000537 -UN-03APR95



## TRANSPORT WITH HARVESTING UNIT INSTALLED

Before driving forage harvester on public roads, harvesting unit must be raised and secured in this position. It must not, however, obstruct operator's view of the road. Remove crop dividers (if equipped) and install protective cover.



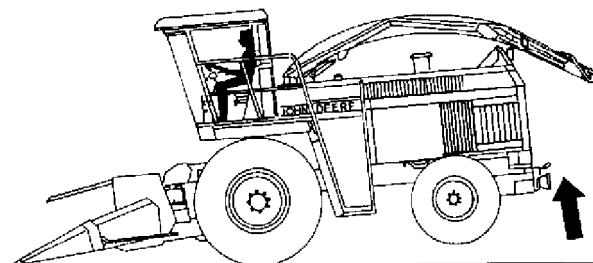
ZX 000 452

ZX,HEADER -19-04DEC90

-UN-03APR95  
ZX000452

## BALLASTING FOR SAFE GROUND CONTACT

Operating, steering and braking performance of forage harvester can be considerably affected by attachments which alter the center of gravity of the machine. To maintain safe ground contact, ballast the harvester at the rear end as necessary. Observe the maximum permissible axle loads and total weights.



ZX 000 453

ZX,WEIGHT -19-02OCT91

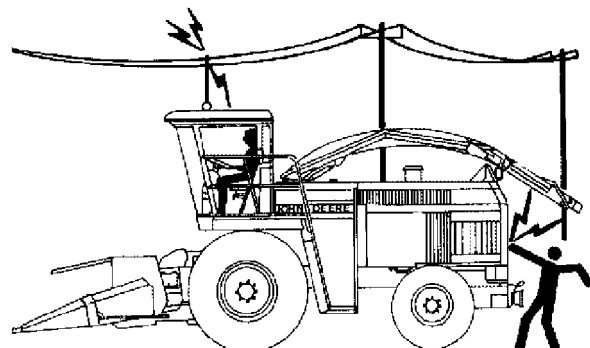
-UN-03APR95  
ZX000453

## RADIO AERIAL

If radio aerial is not secured in its transport position before driving on public roads, it may come into contact with low-hanging electrical cables. This would result in the operator suffering a severe electrical shock.

To avoid electrical shock, no portion of the machine should be higher than 4 m (13 ft).

Before transporting machine, bend aerial or remove it.



ZX 000 454

ZX,ANTENNA -19-01JAN93

-UN-03APR95  
ZX000454



## PARKING AND LEAVING THE FORAGE HARVESTER

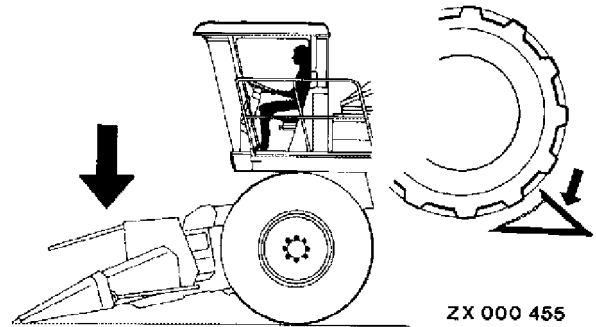
Lower harvesting unit to the ground.

Before leaving the forage harvester, disengage main clutch and shut off engine. Move gear shift lever to neutral, apply parking brake, remove key and lock the operator's cab. Position chock blocks.

*NOTE: Use only chock blocks provided with the machine.*

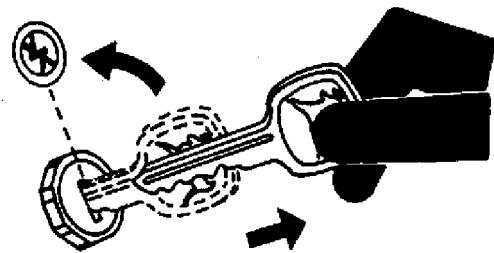
Never leave forage harvester unattended as long as engine is running.

Never leave the operator's cab when driving.



-UN-03APR95

ZX000455



-UN-24MAY89

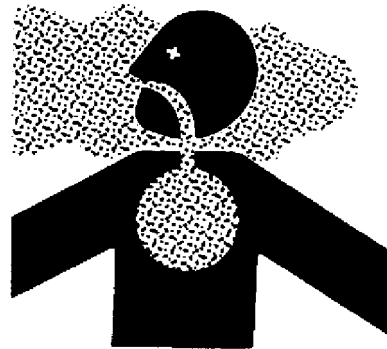
TS230

ZX,PARK -19-01OCT91

## WORK IN VENTILATED AREA

Engine exhaust fumes can cause sickness or death. If it is necessary to run an engine in an enclosed area, remove the exhaust fumes from the area with an exhaust pipe extension.

If you do not have an exhaust pipe extension, open the doors and get outside air into the area.



-UN-23AUG88

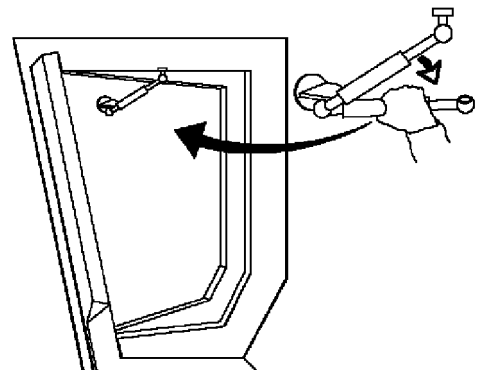
TS220

DX,AIR -19-04JUN90

## EMERGENCY EXIT

The right-hand cab window may be used as an emergency exit. Disengage the gas-filled spring on the sidewall of the cab and open the window.

ZX 006004



-UN-03APR95

ZX006004

ZX,OMSPFH003293-19-01MAY94



**Suggest:**

**For more complete manuals. Please go to the home page.**

**<https://www.ebooklibonline.com>**

**If the above button click is invalid. Please download this document first, and then click the above link to download the complete manual.**

**Thank you so much for reading**



## PRACTICE SAFE MAINTENANCE

Understand service procedure before doing work. Keep area clean and dry.

Never lubricate, service, or adjust machine while it is moving. Keep hands, feet, and clothing from power-driven parts. Disengage all power and operate controls to relieve pressure. Lower equipment to the ground. Stop the engine. Remove the key. Allow machine to cool.

Securely support any machine elements that must be raised for service work.

Keep all parts in good condition and properly installed. Fix damage immediately. Replace worn or broken parts. Remove any buildup of grease, oil, or debris.

Disconnect battery ground cable (-) before making adjustments on electrical systems or welding on machine.



DX,SERV -19-03MAR93

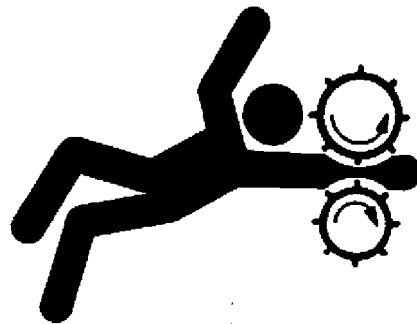
-UN-23AUG88

TS218

## SERVICE MACHINES SAFELY

Tie long hair behind your head. Do not wear a necktie, scarf, loose clothing, or necklace when you work near machine tools or moving parts. If these items were to get caught, severe injury could result.

Remove rings and other jewelry to prevent electrical shorts and entanglement in moving parts.



DX,LOOSE -19-04JUN90

-UN-23AUG88

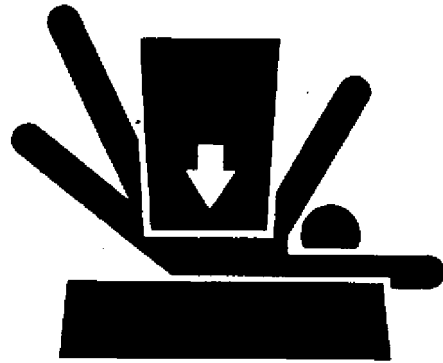
TS228



## SUPPORT MACHINE PROPERLY

Always lower the attachment or implement to the ground before you work on the machine. If you must work on a lifted machine or attachment, securely support the machine or attachment.

Do not support the machine on cinder blocks, hollow tiles, or props that may crumble under continuous load. Do not work under a machine that is supported solely by a jack. Follow recommended procedures in this manual.

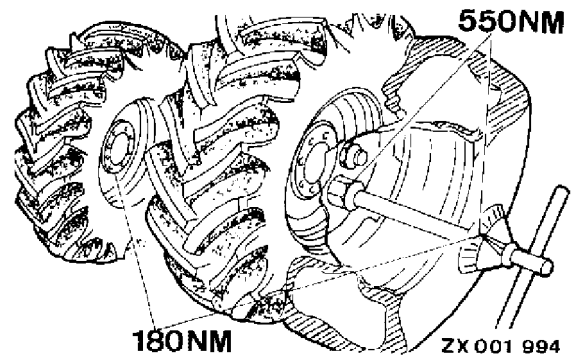


DX,LOWER -19-04JUN90

-UN-23AUG68  
TS229

## RETORQUE WHEEL NUTS

Retorque wheel nuts as specified in Sections "Wheels and Ballast" and "Lubrication, Periodic Services". Failure to do this could result in a wheel falling off during operation, causing the machine to tip over with serious injury to the operator and extensive damage to the machine.



ZX.NUTS -19-11MAY92

-UN-03APR95  
ZX001994

**<https://www.ebooklibonline.com>**

Hello dear friend!

Thank you very much for reading.

Enter the link into your browser.

The full manual is available for immediate download.

**<https://www.ebooklibonline.com>**