

**2054, 2056, 2058,
2064 and 2066
Combines**
(From Serial No. 062722)

**John Deere Werke Zweibrücken
OMZ92382 Issue F5**

European Edition
Printed in Germany
ENGLISCH

Introduction

READ THIS MANUAL carefully to learn how to operate and service your machine correctly. Failure to do so could result in personal injury or equipment damage. This manual and the safety signs on your machine may also be available in other languages (see your John Deere dealer to order).

THIS MANUAL SHOULD BE CONSIDERED a permanent part of your machine and should remain with the machine when you sell it.

MEASUREMENTS in this manual are given in both metric and customary U.S. unit equivalents. Use only correct replacement parts and fasteners. Metric and inch fasteners may require a specific metric or inch wrench.

RIGHT-HAND AND LEFT-HAND sides are determined by facing the direction of forward travel.

WRITE PRODUCT IDENTIFICATION NUMBERS (P.I.N.) in the Specification or Identification Numbers section. Accurately record all the numbers to help in tracing the machine should it be stolen. Your dealer also needs these numbers when you order parts. File the identification numbers in a secure place off the machine.

SETTING FUEL DELIVERY BEYOND PUBLISHED factory specifications or otherwise overpowering will result in loss of warranty protection for this machine.

BEFORE DELIVERING THIS MACHINE, your dealer performed a predelivery inspection. After operating for the first 20 to 50 hours, schedule an after-sale inspection with your dealer to ensure best performance.

THIS COMBINE IS DESIGNED SOLELY for use in customary agricultural or similar operations ("INTENDED USE"). Use in any other way is considered as contrary to the intended use. The manufacturer accepts no liability for damage or injury resulting from this misuse, and these risks must be borne solely by the user. Compliance with and strict adherence to the conditions of operation, service and repair as specified by the manufacturer also constitute essential elements for the intended use.

THIS COMBINE SHOULD BE OPERATED, serviced and repaired only by persons familiar with all its particular characteristics and acquainted with the relevant safety rules (accident prevention). The accident prevention regulations, all other generally recognized regulations on safety and occupational medicine and the road traffic regulations must be observed at all times. Any arbitrary modifications carried out on this combine will relieve the manufacturer of all liability for any resulting damage or injury.

Contents

	Page		Page
Identification View	00-1		
Safety	05-1	Operational adjustment	20-45
Safety Decals	10-1	Sensitivity of sensors	20-47
		Operational check	20-48
		Straw warning device	20-49
Controls and Instruments		Lighting System and Signals	
Survey	15-1	Parking light and low-beam	25-1
Switch console	15-2	Full beam	25-1
Multi-function lever	15-7	Turn signals	25-2
Roof switch console	15-9	Work lights	25-4
Roof console	15-10	Beacon lights	25-7
Harvest performance monitor	15-11	Hazard warning lights	25-8
Steering column	15-12	Indicator light bulb test	25-8
Switch console — Functions	15-13		
Right armrest — Functions	15-34	Operator's Cab	
Multi-function lever — Functions	15-36	Door	30-3
Roof console — Functions	15-38	Operator's seat	30-3
Steering column — Functions	15-40	Lumbar support	30-4
		Left armrest	30-4
		Right armrest	30-4
Warning Devices and Monitors		Ashtray	30-6
Indicator lights I	20-1	Passenger seat	30-6
Indicator lights II	20-5	Storage compartment for operator's	
Header height gauge	20-9	manual	30-7
Distributor plate gauge	20-10	Cooling compartment	30-7
Fuel gauge	20-10	Steering column	30-8
Coolant temperature gauge	20-10	Foot brakes	30-9
Infotrak monitor	20-11	Parking brake	30-9
Cylinder speed alarm	20-16	Releasing parking brake	30-9
SERVICE information	20-17	Sun visor	30-10
Automatic adjustments	20-18	Outside mirrors	30-10
Combine data center	20-19	Switching on heater	30-10
Area counter	20-22	Adjustable air louvers	30-11
Operational diagrams	20-26	Interior lighting	30-11
Low shaft speed monitor system	20-40	Digital clock	30-12
Harvest performance monitor	20-42	Radio and Citizens' Band	30-13
Preliminary adjustments	20-43	Rear window of cab	30-13
Switching on harvest performance			
monitor	20-43		
Adjusting/selecting unit	20-44		

Continued on next page

All information, illustrations and specifications in this manual are based on the latest information available at the time of publication. The right is reserved to make changes at any time without notice.

OMZ92382 F5-19-01MAY95

COPYRIGHT© 1995
DEERE & COMPANY
European Office Mannheim
All rights reserved
A John Deere ILLUSTRATION® Manual
Previous Editions
Copyright 1992 Deere & Company

<https://www.ebooklibonline.com>

Hello dear friend!

Thank you very much for reading.

Enter the link into your browser.

The full manual is available for immediate download.

<https://www.ebooklibonline.com>

	Page		Page
Pre-Starting Checks			
Daily checks	35-1	Cutting platform	55-2
Engine oil level	35-1	Feeder house	55-2
Hydraulic oil level	35-1	Separator	55-2
Coolant level	35-2	Adjusting cylinder and concave	55-3
Fuel level	35-2	Normal crops	55-3
Tires	35-2	Coarse crops	55-4
Fuel system	35-3	Separating process	55-4
Lubricating the combine	35-3	Grain cleaning process	55-5
Checks in operator's cab	35-3	Grain recovery	55-5
Operating the Engine			
Engine break-in	40-1	Evaluating threshing action	55-6
Starting the engine	40-1	Checking straw at rear of combine	55-6
Engine oil pressure indicator light	40-4	Grain tank sample	55-6
Warming up engine	40-4	Checking tailings	55-7
Idling the engine	40-4	Identifying threshing problems	55-7
Cold-weather starting aid	40-5	Overthreshing	55-8
Coolant preheater	40-7	Underthreshing	55-8
Booster battery	40-8	Adjusting fan speed	55-9
Stopping the engine	40-9	Adjusting the chaffer	55-10
Cold-weather operation	40-9	Slope Master system	55-11
Driving and Transporting Harvester			
Driving the harvester	45-1	Adjusting the sieve	55-12
Releasing parking brake	45-1	Acceptable grain losses	55-12
Operating foot brakes	45-2	The meaning of grain losses	55-12
Engaging a gear	45-2	Determining grain losses	55-13
Road safety switch	45-3	Causes of grain losses	55-15
Adjusting engine speed	45-3	Cutting platform losses	55-15
Raising header	45-3	Threshing unit losses	55-15
Forward and reverse travel	45-4	Straw walker losses	55-16
Ground speed	45-5	Sieve losses	55-16
Hydrostatic system	45-6	Prevention of grain losses — General	55-17
Four-wheel drive	45-7	Threshing adjustments	55-18
Transport information	45-7	Combine settings and automatic adjustments	55-19
Towing the harvester	45-9	Additional combine settings	55-20
Wheels, Axles and Additional Weights			
Tire maintenance	50-1	Preparations before changing crop	55-21
Wheel bolts and nuts	50-1	Preparations for harvesting grain crops	55-21
Mounting tires	50-3	Preparations for harvesting peas	55-22
Changing tires	50-4	Preparations for harvesting corn	55-22
Driven wheels	50-4	Harvesting corn/cob mix (CCM)	55-22
Steered wheels	50-8	Preparations for harvesting oil seed crops	55-23
Tire pressures	50-9	Operating the combine harvester	55-23
Preparations and Field Operation			
Choice of harvesting time	55-1	Header float control	55-26
Avoiding grain losses	55-1	Header function resume	55-26
Feeder House			
		Electrical and hydraulic connections	60-1
		Securing header lift cylinder	60-1
		Service flaps	60-1
		Chain tension	60-2
		Adjusting height of feeder drum	60-3
		Slip clutch on upper feeder shaft	60-4

Continued on next page

Page	Page		
Stripper on top feeder shaft	60-5	Mechanical adjustment, centrally	70-6
Bottom unit, feeder house variator	60-5	Separate adjustment of deflectors	70-6
Reverser shifter fork and cable	60-6	Adjusting counter-knives	70-6
Separator and Cleaning Unit		Chopping corn and sunflowers	70-7
Service flaps	65-1	Removing counter-knives	70-7
Opening stone trap bottom plate	65-2	Splitting and chopping	70-8
Grain pan inserts	65-2	Replacing rotating knives	70-9
Cylinder rasp bars	65-3	Grain Tank Loading and Unloading	
Cylinder reduction gear	65-3	Service openings	75-1
Turning the cylinder	65-4	Grain tank cover	75-3
Cylinder filler plates	65-5	Opening the grain tank cover	75-4
Grain concave	65-5	Checking and tensioning feeder chains	75-5
Corn concave	65-6	Unloading drive overload protection	75-6
Universal concave	65-6	Cover for unloading auger	75-6
Booster bar	65-6	Sensor for grain tank filling gauge	75-7
Special rasp bar	65-7	Spill guard on discharge tube outlet	75-7
De-awning plates	65-7	Fuel, Lubricants, Coolant and Capacities	
Adjusting the concave	65-8	Engine oil	80-3
Changing the concave	65-8	Coolant	80-4
Concave basic setting	65-8	Transmission oil	80-5
Adjusting the concave	65-11	Changing transmission oil	80-8
Second cylinder	65-12	Hydraulic oil	80-9
Second concave	65-12	Brake fluid	80-10
Finger rakes	65-13	Grease	80-11
Curtain	65-13	Alternative lubricants	80-11
Cross-shaker tines	65-14	Lubricant storage	80-12
Straw walkers	65-16	Lubrication Chart, Periodic Service	
Fan and windboard	65-18	Lubrication charts	85-1
Sieve variants	65-20	Break-in period	85-11
Chaffer and sieve adjustment	65-22	Service intervals	85-11
Chaffer extension	65-23	Every 10 hours	85-12
Chaffer extension inserts	65-24	After the first 100 hours	85-12
Removing chaffer extension	65-25	Every 250 hours	85-13
Removing chaffer	65-25	Every 500 hours	85-13
Removing sieve	65-26	Every 1000 hours	85-14
Chaff Spreader and Straw Chopper		Every 1500 hours	85-14
Chaff spreader	70-1	As required	85-14
Operation	70-1	Once every year	85-14
Guard rail	70-1	Every 2 years	85-15
Folding down the chaff spreader	70-2	Service — Engine	
Hydraulic connections	70-2	Access to engine	90-1
Vanes on chaff spreader rotors	70-3	Engine compartment	90-1
Straw chopper	70-3	Adjusting engine valve tappets	90-2
Switching chopper on and off	70-4	Checking engine crankcase oil level	90-2
Adjusting straw distributor box	70-4	Oil and filter change — 6.8-L engine	90-3
Driving on public roads	70-5	Oil and filter change — 7.6-L engine	90-4
Adjusting straw deflectors	70-5		
Electrical adjustment, centrally	70-5		

Continued on next page

Contents

	Page		Page
Service — Fuel system	90-5	Relay and diode board	100-10
Fuel system — 6.8-L engine	90-6	Solenoid valves — Basic machine	100-11
Fuel system — 7.6-L engine	90-7	Solenoid valves — Hillmaster	100-12
Fuel tank filler neck	90-8	Error codes, infotrak monitor	100-13
Fuel tank water trap	90-8	Error codes, reel speed control	100-15
Water trap in fuel system	90-9		
Fuel transfer pump — 6.8-L engine	90-10	Service — Hydraulic System	
Fuel filter — 6.8-L engine	90-11	Pressure relief valve	105-1
Fuel filter — 7.6-L engine	90-12	System description	105-2
Injection nozzles — 7.6-L engine	90-13	Hydraulic components	105-3
Bleeding the fuel system	90-13	Hydraulic components, Hillmaster	105-5
Access to cooling elements	90-15	Hydraulic components, chaff spreader	105-6
Layout of cooling elements	90-16	Actuating electro-magnetic valves	105-7
Engine coolant	90-17	Accumulators	105-10
Flushing the cooling system	90-18	Draining hydraulic oil	105-11
Changing thermostats	90-21	Replacing hydraulic oil filter	105-12
Drive belts — 6.8-L engine	90-22	Refilling hydraulic oil	105-13
Drive belts — 7.6-L engine	90-22	Temperature/pressure sending units	105-14
Air intake system	90-23		
Air cleaner (primary) element	90-25	Service — Ground Speed Drive	
Turbocharger	90-29	Brake system	110-1
Crankshaft vibration damper	90-30	Brake fluid reservoir	110-2
		Adjusting foot brakes	110-2
		Parking brake	110-2
Service — Drives and Shields		Hydrostatic drive components	110-3
Safety shields	95-1	Oil cooler	110-4
Adjusting belts	95-2	Oil and filter change	110-5
Main countershaft	95-3	Transmission	110-6
Unloading drive	95-4	Final drives	110-7
Cylinder drive intermediate countershaft	95-5	Rear wheel toe-in	110-8
Adjusting fan variator	95-6	Rear wheel tread	110-9
Clean grain elevator, grain tank loading	95-7	Steering components	110-11
Countershaft, slip clutch/grain elevator	95-7		
Slip clutch for straw walker drive	95-8	Service — Air Conditioning and Heating	
Slip clutch for tailings elevator	95-8	Air conditioning components	115-1
Belt tensioners	95-9	Heater components	115-2
Drive chains	95-10	Air intake and distribution	115-3
Tailings elevator drive chain	95-10	Compressor	115-4
Tailings auger drive chain	95-10	Refrigerant level	115-5
Unloading drive countershaft	95-11	Low-pressure switch	115-5
Drive chain for grain tank unloading	95-11	High-pressure switch	115-6
V-belts	95-11	Cleaning condenser	115-6
		Cab air filters	115-6
Service — Electrical System		Air intake opening	115-8
Specifications	100-1	Condensed water drain hose	115-9
Batteries	100-1		
Alternators	100-4	Storage	
Starting motor	100-5	After the season	120-1
Electronic boards	100-6	Removing combine from storage	120-4
Fuses on fuse boards	100-7		
Relays on fuse boards	100-9		

Continued on next page

Contents

Page

Specifications

Operating speeds 125-1
2054 Combine 125-2
2054 Hillmaster 125-6
2056 Combine 125-10
2056 Hillmaster 125-14
2058 Combine 125-18
2058 Hillmaster 125-22
2064 Combine 125-26
2064 Hillmaster 125-30
2066 Combine 125-34
2066 Hillmaster 125-38
Dimensions (2054, 2056) 125-42
Dimensions (2058, 2064) 125-44
Dimensions (2066) 125-46

Serial Numbers

Type plates 130-1

Index

Contents

Identification View



-JUN-22MAY95
ZX004251

ZX,OMXZC0001970-19-13NOV92

Safety

RECOGNIZE SAFETY INFORMATION

This is the safety-alert symbol. When you see this symbol on your machine or in this manual, be alert to the potential for personal injury.

Follow recommended precautions and safe operating practices.



DX,ALERT -19-03MAR93

T81389 -UN-07DEC68

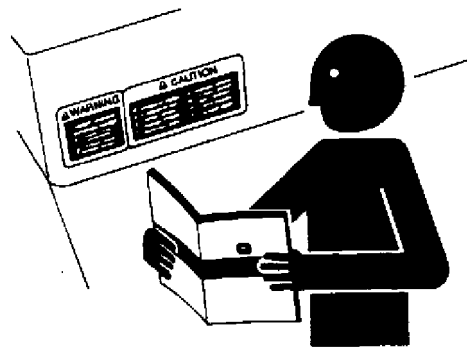
FOLLOW SAFETY INSTRUCTIONS

Carefully read all safety messages in this manual and on your machine safety signs. Keep safety signs in good condition. Replace missing or damaged safety signs. Be sure new equipment components and repair parts include the current safety signs. Replacement safety signs are available from your John Deere dealer.

Learn how to operate the machine and how to use controls properly. Do not let anyone operate without instruction.

Keep your machine in proper working condition. Unauthorized modifications to the machine may impair the function and/or safety and affect machine life.

If you do not understand any part of this manual and need assistance, contact your John Deere dealer.



DX,READ -19-03MAR93

T5201 -UN-23AUG88

UNDERSTAND SIGNAL WORDS

A signal word—DANGER, WARNING, or CAUTION—is used with the safety-alert symbol. DANGER identifies the most serious hazards.

DANGER or WARNING safety signs are located near specific hazards. General precautions are listed on CAUTION safety signs. CAUTION also calls attention to safety messages in this manual.



DX,SIGNAL -19-03MAR93

T5187 -19-30SEP88



OBSERVE ROAD TRAFFIC REGULATIONS

Always observe local road traffic regulations when using public roads.



H28930 -UN-30JUN89

FX,ROAD -19-01MAY91



CAUTION: Avoid possible injury or death from machinery runaway.

Do not start engine by shorting across starter terminals. Machine will start in gear if normal circuitry is bypassed.

NEVER start engine while standing on ground. Start engine only from operator's seat, with transmission in neutral or park.

DX,BYPAS -19-26JAN90

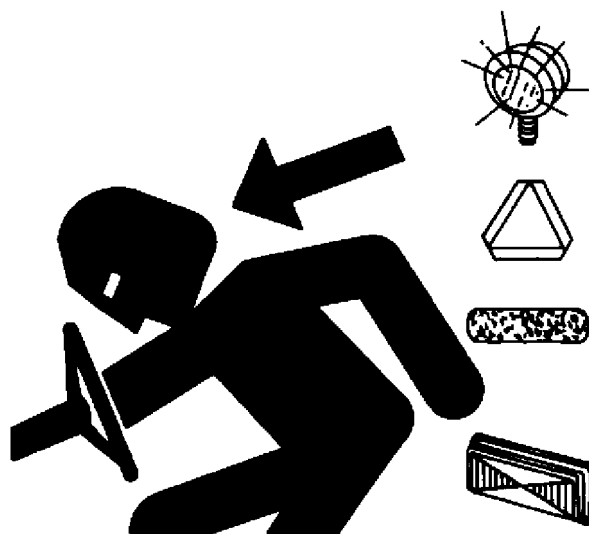


USE SAFETY LIGHTS AND DEVICES

Slow moving tractors, self-propelled equipment and towed implements or attachments can create a hazard when driving on public roads. They are difficult to see, especially at night. Avoid personal injury or death resulting from collision with a vehicle.

If legally permitted, use flashing warning lights or rotary beacons whenever driving on public roads. To increase visibility, use the lights and devices provided with your machine. For some equipment, install additional flashing warning lights.

Keep safety items in good condition. Replace missing or damaged items. An implement safety lighting kit is available from your John Deere dealer.



TS951 -UN-12APR90

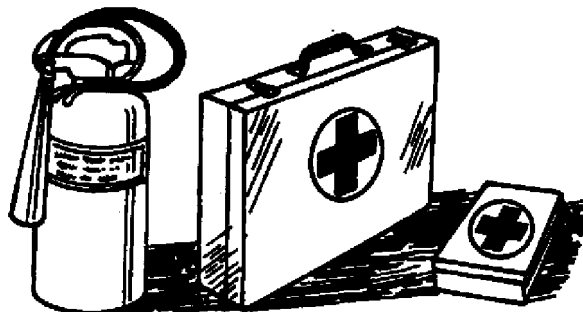
ZX,FLASH -19-01OCT91

PREPARE FOR EMERGENCIES

Be prepared if a fire starts.

Keep a first aid kit and fire extinguisher handy.

Keep emergency numbers for doctors, ambulance service, hospital, and fire department near your telephone.



TS291 -UN-23AUG88

DX,FIRE2 -19-03MAR93



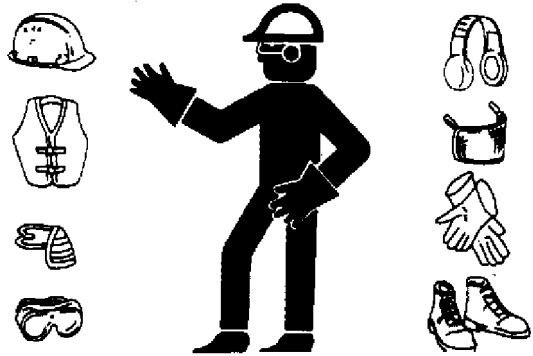
WEAR PROTECTIVE CLOTHING

Wear close fitting clothing and safety equipment appropriate to the job.

Prolonged exposure to loud noise can cause impairment or loss of hearing.

Wear a suitable hearing protective device such as earmuffs or earplugs to protect against objectionable or uncomfortable loud noises.

Operating equipment safely requires the full attention of the operator. Do not wear radio or music headphones while operating machine.



DX,WEAR -19-10SEP90

TS206 -UN-23AUG88

HANDLE FUEL SAFELY—AVOID FIRES

Handle fuel with care: it is highly flammable. Do not refuel the machine while smoking or when near open flame or sparks.

Always stop engine before refueling machine. Fill fuel tank outdoors.

Prevent fires by keeping machine clean of accumulated trash, grease, and debris. Always clean up spilled fuel.



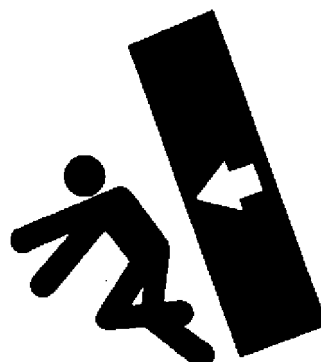
DX,FIRE1 -19-03MAR93

TS202 -UN-23AUG88

STORE ATTACHMENTS SAFELY

Stored attachments such as dual wheels, cage wheels, and loaders can fall and cause serious injury or death.

Securely store attachments and implements to prevent falling. Keep playing children and bystanders away from storage area.



DX,STORE -19-03MAR93

TS219 -UN-23AUG88

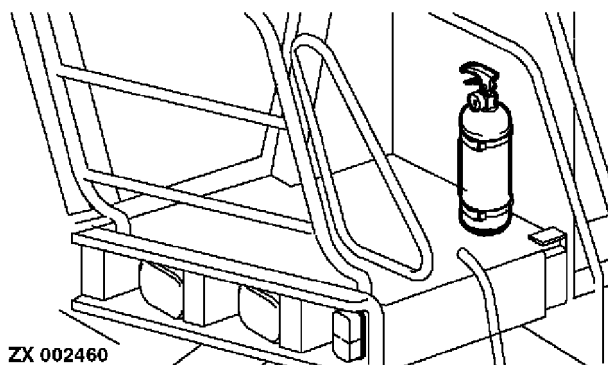


FIRE EXTINGUISHER

A 6 kg (13 lb) general purpose fire extinguisher meeting local legal requirements has to be installed on the left-hand side of the operator's platform.

Maintain fire extinguisher to keep it in operational condition.

Keep the engine clean and free of dust, chaff and straw to prevent the possibility of a fire.



ZX 002460

ZX, FIREXZCO -19-27MAY94

ZX002460 -UN-16JUN95

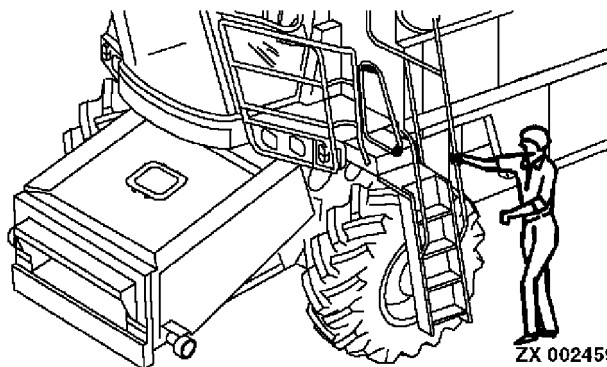
CHECK MACHINE SAFETY

Always check the road and general operating safety of the machine before using.

FX, READY -19-28FEB91

MOUNT AND DISMOUNT SAFELY

Use handrail when mounting or dismounting the combine.



ZX 002459

ZX, HANDLEXZCO -19-27JAN92

ZX002459 -UN-16JUN95

RIDERS

Only allow the operator and one rider on the machine.

Other riders are subject to injury such as being thrown off the machine and obstruct the operator's view resulting in the machine being operated in an unsafe manner.

One rider is permitted, since the machine is equipped with a factory-approved passenger seat.



ZX, PASSENGER -19-02OCT91

T5253 -UN-23AUG88

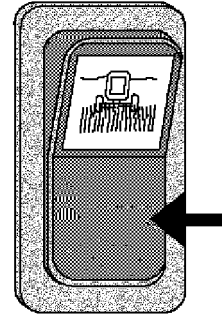


ROAD SAFETY SWITCH

IMPORTANT: Before driving combine on public roads, make sure that road safety switch is in road position. Also move harvesting unit and unloading auger to transport position.

This ensures that all hydraulic functions — with exception of the steering system — are not working.

ZX 002418



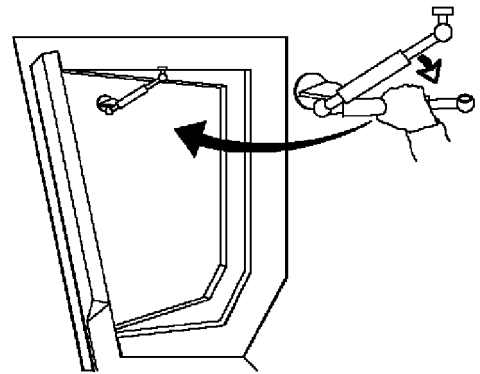
ZX,SWITCHXZCO -19-01MAR95

ZX002418 -UN-16JUN95

EMERGENCY EXIT

The right-hand cab window may be used as an emergency exit. Disengage the gas-filled spring on the sidewall of the cab and open the window.

ZX 006004



ZX,OMSPFH003293-19-01MAY94

ZX006004 -UN-03APR95



DRIVING THE COMBINE

Operate machine only when all guards are correctly installed.

Before moving away, always check immediate vicinity of machine (e.g. for children). Ensure adequate visibility. Use the horn as a warning immediately before moving away.

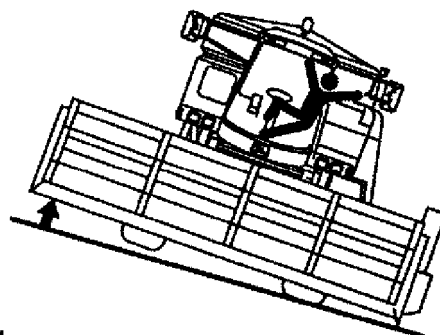
Always adapt ground speed to road or field conditions. Avoid making sharp turns when driving up or down slopes or when driving across a slope. Be especially careful when turning on slopes with full grain tank.

Attach harvesting units and other implements to combine with extreme care.

When making turns, always take into consideration the width of the attachment and the fact that the rear end of the combine swings out. Attachments and ground conditions affect the driving characteristics of the combine.

Reduce ground speed when driving on slopes or over uneven ground and before making sharp turns. Before descending a steep hill, shift to a lower gear.

Avoid holes, ditches and obstructions which may cause the combine to tip, particularly on hillsides.



ZX002461

ZX002461 -JUN-16-JUN95

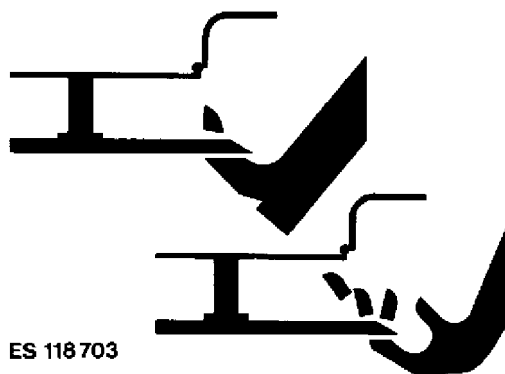
ZX,DRIVEXZCO -19-27JAN92

GUARDS AND SHIELDS

Keep guards and shields in place at all times. Ensure that they are serviceable and installed correctly.

Always disengage main clutch, shut off engine and remove key before removing any guards or shields.

Keep hands, feet and clothing away from moving parts.



ES 118 703

ES118703 -JUN-21-MAR95

FX,DEVICE -19-04DEC90



STAY CLEAR OF HARVESTING UNITS

Cutterbar, auger, reel and feed rolls cannot be completely shielded due to their function. Stay clear of these moving elements during operation. Always disengage main clutch, shut off engine and remove key before servicing or unclogging machine.



ES 118 704

FX,CUT -19-21DEC90

ES118704 -UN-21MAR95

STAY CLEAR OF ROTATING DRIVELINES

Entanglement in rotating driveline can cause serious injury or death.

Keep tractor master shield and driveline shields in place at all times. Make sure rotating shields turn freely.

Wear close fitting clothing. Stop the engine and be sure PTO driveline is stopped before making adjustments, connections, or cleaning out PTO driven equipment.

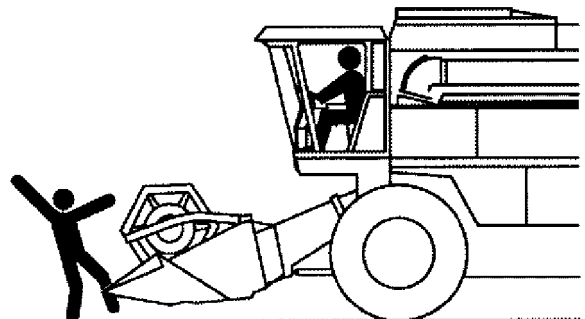


DX,PTO -19-03MAR93

TS198 -UN-23AUG88

TRANSPORT WITH HARVESTING UNIT INSTALLED

Before driving combine on public roads, harvesting unit must be raised and secured in this position. It must not, however, obstruct operator's view of the road. Remove crop dividers (if equipped) and install protective cover.



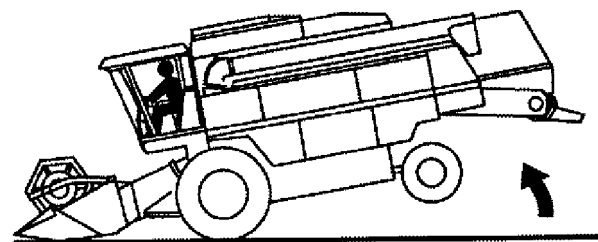
ZX002462

ZX,HEADERXZCO -19-27JAN92

ZX002462 -UN-16JUN95

BALLASTING FOR SAFE GROUND CONTACT

Operating, steering and braking performance of the combine can be considerably affected by attachments which alter the center of gravity of the machine. To maintain safe ground contact, ballast the combine at the rear end as necessary. Observe the maximum permissible axle loads and total weights.



ZX002463

ZX,WEIGHTXZCO -19-27JAN92

ZX002463 -UN-16JUN95

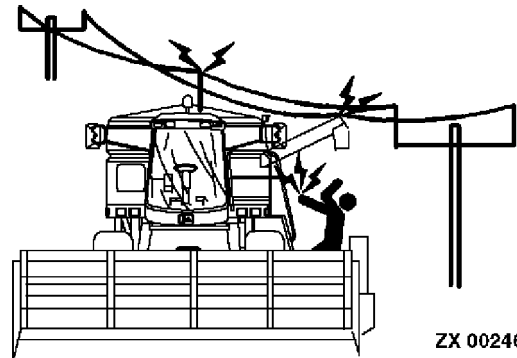


RADIO AERIAL

If radio aerial is not secured in its transport position before driving on public roads, it may come into contact with low-hanging electrical cables. This would result in the operator suffering a severe electrical shock.

To avoid electrical shock, no portion of the machine should be higher than 4 m.

Before transporting machine, bend aerial or remove it.



ZX002464 -UN-16JUN95

ZX,ANTENNAZCO -19-27JAN92

PARKING AND LEAVING THE COMBINE

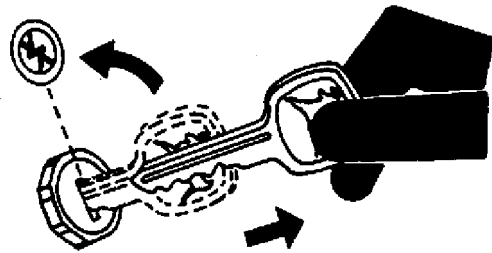
Lower harvesting unit to the ground.

Before leaving the combine, disengage harvesting unit and separator. Shut off engine and move gear shift lever to neutral. Apply parking brake, remove key and lock the operator's cab. Position chock blocks.

NOTE: Use only chock blocks provided with the machine.

Never leave combine unattended as long as engine is running.

Never leave the operator's cab when driving.



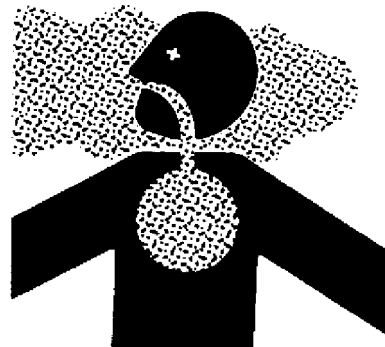
TS230 -UN-24MAY89

ZX,PARKXZCO -19-13APR92

WORK IN VENTILATED AREA

Engine exhaust fumes can cause sickness or death. If it is necessary to run an engine in an enclosed area, remove the exhaust fumes from the area with an exhaust pipe extension.

If you do not have an exhaust pipe extension, open the doors and get outside air into the area.



DX,AIR -UN-23AUG88

TS220 -19-04JUN90



Suggest:

For more complete manuals. Please go to the home page.

<https://www.ebooklibonline.com>

If the above button click is invalid. Please download this document first, and then click the above link to download the complete manual.

Thank you so much for reading



PRACTICE SAFE MAINTENANCE

Understand service procedure before doing work. Keep area clean and dry.

Never lubricate, service, or adjust machine while it is moving. Keep hands, feet, and clothing from power-driven parts. Disengage all power and operate controls to relieve pressure. Lower equipment to the ground. Stop the engine. Remove the key. Allow machine to cool.

Securely support any machine elements that must be raised for service work.

Keep all parts in good condition and properly installed. Fix damage immediately. Replace worn or broken parts. Remove any buildup of grease, oil, or debris.

Disconnect battery ground cable (-) before making adjustments on electrical systems or welding on machine.



DX,SERV -19-03MAR93

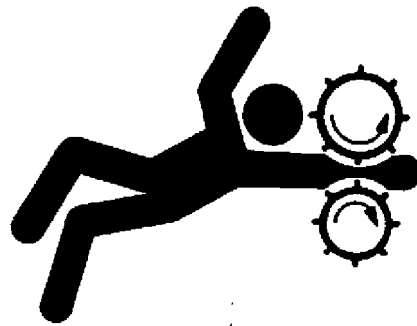
-UN-23AUG88

TS218

SERVICE MACHINES SAFELY

Tie long hair behind your head. Do not wear a necktie, scarf, loose clothing, or necklace when you work near machine tools or moving parts. If these items were to get caught, severe injury could result.

Remove rings and other jewelry to prevent electrical shorts and entanglement in moving parts.



DX,LOOSE -19-04JUN90

-UN-23AUG88

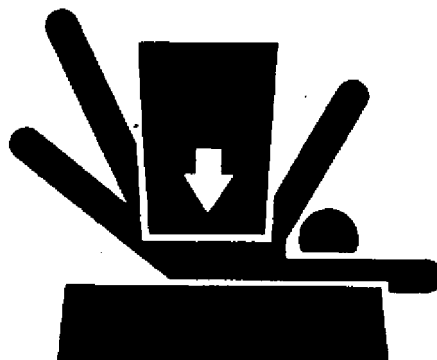
TS228



SUPPORT MACHINE PROPERLY

Always lower the attachment or implement to the ground before you work on the machine. If you must work on a lifted machine or attachment, securely support the machine or attachment.

Do not support the machine on cinder blocks, hollow tiles, or props that may crumble under continuous load. Do not work under a machine that is supported solely by a jack. Follow recommended procedures in this manual.

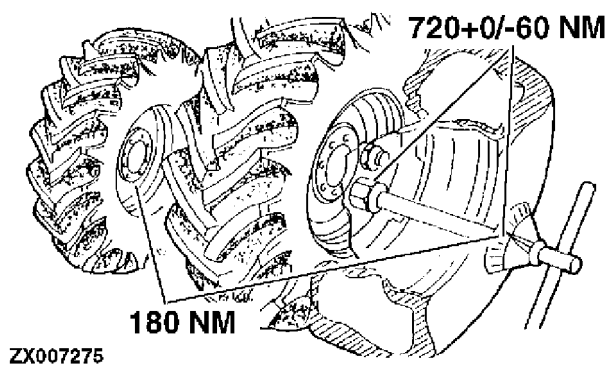


DX,LOWER -19-04JUN90

-UN-23AUG68
TS229

RETORQUE WHEEL NUTS

Retorque wheel nuts as specified in Sections "Wheels and Ballast" and "Lubrication, Periodic Services". Failure to do this could result in a wheel falling off during operation, causing the machine to tip over with serious injury to the operator and extensive damage to the machine.



ZX,NUTS -19-01MAR95

-UN-19JUN95
ZX007275

<https://www.ebooklibonline.com>

Hello dear friend!

Thank you very much for reading.

Enter the link into your browser.

The full manual is available for immediate download.

<https://www.ebooklibonline.com>