

**822  
and 825  
Cutting Platforms**

**John Deere Werke Zweibrücken  
OMZ92722 Issue K8**

Printed in Germany  
**ENGLISCH**

# Introduction

READ THIS MANUAL carefully to learn how to operate and service your machine correctly. Failure to do so could result in personal injury or equipment damage. This manual and the safety decals on the machine are possibly available in other languages (if so, your John Deere dealer can order these for you).

THIS MANUAL SHOULD BE CONSIDERED a permanent part of your machine and should remain with the machine when you sell it.

MEASUREMENTS in this manual are given in both metric and customary U.S. unit equivalents. Use only correct replacement parts and fasteners. Metric and inch fasteners may require a specific metric or inch wrench.

RIGHT-HAND AND LEFT-HAND sides are determined by facing the direction of forward travel.

WRITE PRODUCT IDENTIFICATION NUMBERS (P.I.N.) in the Specification or Identification Numbers section. Accurately record all the numbers to help in tracing the machine should it be stolen.

Your dealer also needs these numbers when you order parts. File the identification numbers in a secure place off the machine.

BEFORE DELIVERING THIS MACHINE, your dealer performed a predelivery inspection to ensure the machine gives its best performance.

THIS CUTTING PLATFORM IS DESIGNED SOLELY for use in customary agricultural or similar operations ("INTENDED USE").

Use in any other way is considered as contrary to the intended use. The manufacturer accepts no liability for damage or injury resulting from this misuse, and these risks must be borne solely by the user.

Compliance with and strict adherence to the conditions of operation, service and repair as specified by the manufacturer also constitute essential elements for the intended use.

THIS CUTTING PLATFORM SHOULD BE OPERATED, serviced and repaired only by persons familiar with all its particular characteristics and acquainted with the relevant safety rules (accident prevention).

The accident prevention regulations, all other generally recognized regulations on safety and occupational medicine and the road traffic regulations must be observed at all times.

Any arbitrary modifications carried out on this CUTTING PLATFORM will relieve the manufacturer of all liability for any resulting damage or injury.

# Contents

	Page		Page
<b>Identification View</b> . . . . .	00-1	Adjusting reel tine position . . . . .	25-9
<b>Safety</b> . . . . .	05-1	Adjusting width between reel arms . . . . .	25-9
<b>Safety Decals</b> . . . . .	10-1	Adjusting reel fore-and-aft . . . . .	25-10
<b>Attaching and Detaching</b>		Crop dividers . . . . .	25-10
Checking auger stripper location . . . . .	15-1	Long crop dividers . . . . .	25-11
Attaching cutting platform . . . . .	15-2	Adjusting long crop divider . . . . .	25-11
Attaching cutting platform . . . . .	15-2	Installing long outer left deflector . . . . .	25-12
Locking cutting platform . . . . .	15-3	Installing short crop divider . . . . .	25-13
Cutting platform drive shaft connection . . . . .	15-5	Installing divider points . . . . .	25-13
Hydraulic and electrical connections . . . . .	15-5	Installing lifting guards . . . . .	25-14
Detaching cutting platform . . . . .	15-6	Knife guard . . . . .	25-15
Using adapter cable . . . . .	15-6	Adjusting cutterbar/skid plate tilt . . . . .	25-16
<b>Transporting</b>		Cutterbar positions . . . . .	25-18
Transporting on the road . . . . .	20-1	Adjusting cutterbar forward . . . . .	25-18
Road safety switch . . . . .	20-1	Adjusting cutterbar rearward . . . . .	25-20
Supports on cutting platform trailer . . . . .	20-2	Adjusting auger height . . . . .	25-24
Adjusting the supports . . . . .	20-2	Adjusting auger feeder fingers . . . . .	25-25
<b>Operating the Platform</b>		Adjusting auger forward or rearward . . . . .	25-26
Choice of harvesting time . . . . .	25-1	Adjusting stripper . . . . .	25-27
Cutting platform operation . . . . .	25-1	Auger floor strippers . . . . .	25-28
Reel speed . . . . .	25-1	Stubble lights . . . . .	25-28
Reel position in standing crops . . . . .	25-2	<b>Lubricants, Oil and Capacities</b>	
Reel position in down/tangled crops . . . . .	25-2	Gear oil . . . . .	30-1
Feeding of crop . . . . .	25-3	Checking gear case oil level . . . . .	30-1
Cutting platform controls . . . . .	25-3	Grease . . . . .	30-2
Checking platform speeds . . . . .	25-3	Alternative and synthetic lubricants . . . . .	30-2
Securing header lift cylinder . . . . .	25-4	Mixing of lubricants . . . . .	30-3
Setting reel safety stops . . . . .	25-4	Lubricant storage . . . . .	30-3
Skid plates . . . . .	25-5	Use only genuine John Deere parts . . . . .	30-3
Skid plates with sensor straps . . . . .	25-5	<b>Lubrication Charts, Periodic Service</b>	
Wear plates . . . . .	25-6	Lubrication symbols . . . . .	35-1
Spare knife . . . . .	25-6	As required . . . . .	35-2
Cutting platform stripper . . . . .	25-7	After the first 50 hours of operation . . . . .	35-3
Feeder house stripper plates . . . . .	25-7	Chains . . . . .	35-3
Adjusting reel height . . . . .	25-8	Cutterbar . . . . .	35-3
		At end of harvesting season . . . . .	35-4

Continued on next page

*All information, illustrations and specifications in this manual are based on the latest information available at the time of publication. The right is reserved to make changes at any time without notice.*

OMZ92722 K8-19-01OCT98

COPYRIGHT© 1998  
DEERE & COMPANY  
European Office Mannheim  
All rights reserved  
A John Deere ILLUSTRATION@Manual  
Previous Editions  
Copyright 1995 Deere & Company

**<https://www.ebooklibonline.com>**

Hello dear friend!

Thank you very much for reading.

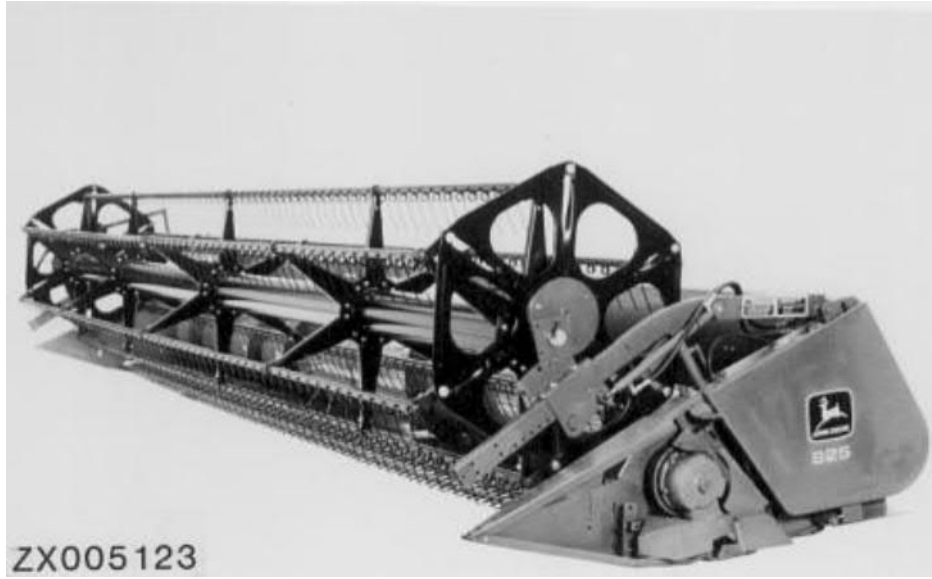
Enter the link into your browser.

The full manual is available for immediate download.

**<https://www.ebooklibonline.com>**

	Page
<b>Troubleshooting</b>	
Cutterbar difficulties . . . . .	40-1
Down and tangled crops difficulties . . . . .	40-2
Feeder house difficulties . . . . .	40-2
Auger difficulties . . . . .	40-3
Cutting difficulties . . . . .	40-3
Reel difficulties . . . . .	40-4
<b>Service</b>	
Torques . . . . .	45-1
Securing header lift cylinders . . . . .	45-3
Safe cutting platform operation . . . . .	45-3
Adjusting reel resume control sending units . . . . .	45-4
Checking sending unit adjustment . . . . .	45-7
Adjusting reel speed sensor . . . . .	45-9
Replacing cutterbar knife . . . . .	45-10
Adjusting knife . . . . .	45-10
Setting knife register . . . . .	45-11
Adjusting hold-down clips . . . . .	45-12
Adjusting wear plates . . . . .	45-13
Knife section service kit . . . . .	45-13
Replacing knife sections . . . . .	45-13
Aligning knife guards . . . . .	45-14
Feeder fingers and safety strap . . . . .	45-15
Replacing stubble light bulb . . . . .	45-16
Replacing cutterbar drive belt . . . . .	45-16
Adjusting idler position . . . . .	45-16
Adjusting auger drive chain . . . . .	45-17
Adjusting skid plate sensor straps . . . . .	45-18
Rephasing reel cylinders . . . . .	45-18
Bleeding the system . . . . .	45-19
<b>Storage</b>	
End of season service . . . . .	50-1
Beginning of season service . . . . .	50-2
<b>Specifications . . . . .</b>	
<b>Serial Number</b>	
Serial number plate . . . . .	60-1
Product identification number . . . . .	60-1
<b>Index</b>	

# Identification View



ZX005123

*825 Cutting Platform shown*

ZX005123  
-JUN-07 JUN95

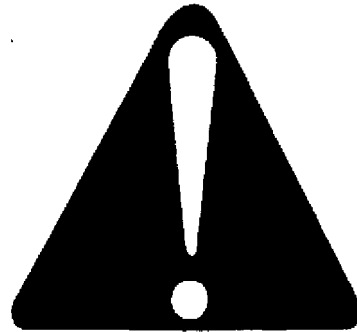
ZX,OM825 002768-19-01OCT98

# Safety

## RECOGNIZE SAFETY INFORMATION

This is the safety-alert symbol. When you see this symbol on your machine or in this manual, be alert to the potential for personal injury.

Follow recommended precautions and safe operating practices.



DX,ALERT -19-29SEP98

T81389 -UN-07DEC68

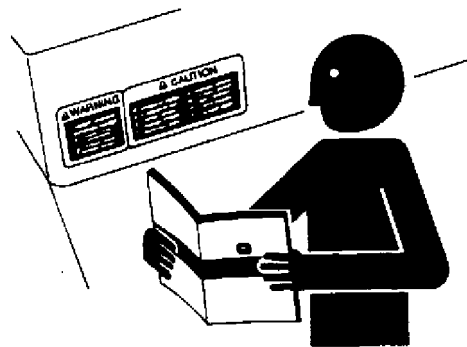
## FOLLOW SAFETY INSTRUCTIONS

Carefully read all safety messages in this manual and on your machine safety signs. Keep safety signs in good condition. Replace missing or damaged safety signs. Be sure new equipment components and repair parts include the current safety signs. Replacement safety signs are available from your John Deere dealer.

Learn how to operate the machine and how to use controls properly. Do not let anyone operate without instruction.

Keep your machine in proper working condition. Unauthorized modifications to the machine may impair the function and/or safety and affect machine life.

If you do not understand any part of this manual and need assistance, contact your John Deere dealer.



DX,READ -19-03MAR93

T5201 -UN-23AUG88

## UNDERSTAND SIGNAL WORDS

A signal word—DANGER, WARNING, or CAUTION—is used with the safety-alert symbol. DANGER identifies the most serious hazards.

DANGER or WARNING safety signs are located near specific hazards. General precautions are listed on CAUTION safety signs. CAUTION also calls attention to safety messages in this manual.



DX,SIGNAL -19-03MAR93

T5187 -19-30SEP88



## OBSERVE ROAD TRAFFIC REGULATIONS

Always observe local road traffic regulations when using public roads.



H28930 -UN-30JUN89

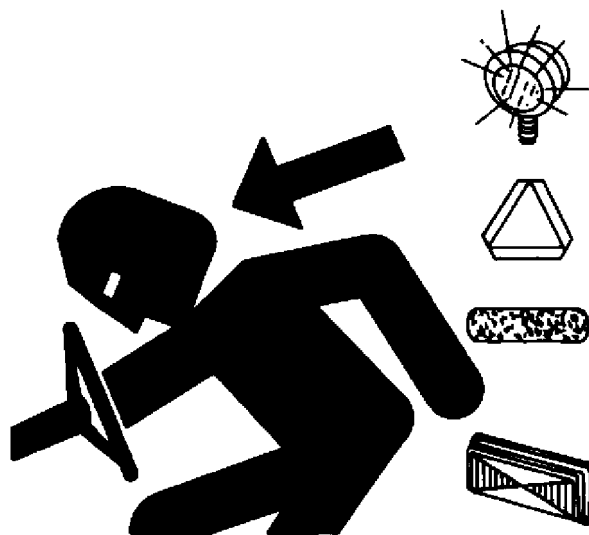
FX,ROAD -19-01MAY91

## USE SAFETY LIGHTS AND DEVICES

Slow moving tractors, self-propelled equipment and towed implements or attachments can create a hazard when driving on public roads. They are difficult to see, especially at night. Avoid personal injury or death resulting from collision with a vehicle.

If legally permitted, use flashing warning lights or rotary beacons whenever driving on public roads. To increase visibility, use the lights and devices provided with your machine. For some equipment, install additional flashing warning lights.

Keep safety items in good condition. Replace missing or damaged items. An implement safety lighting kit is available from your John Deere dealer.



T5951 -UN-12APR90

ZX,FLASH -19-01OCT91

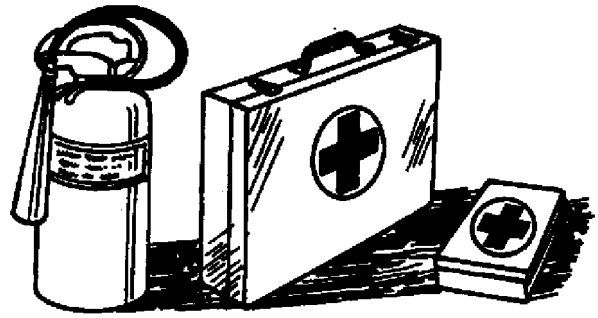


## PREPARE FOR EMERGENCIES

Be prepared if a fire starts.

Keep a first aid kit and fire extinguisher handy.

Keep emergency numbers for doctors, ambulance service, hospital, and fire department near your telephone.



DX.FIRE2 -19-03MAR93

TS291  
-UN-23AUG88

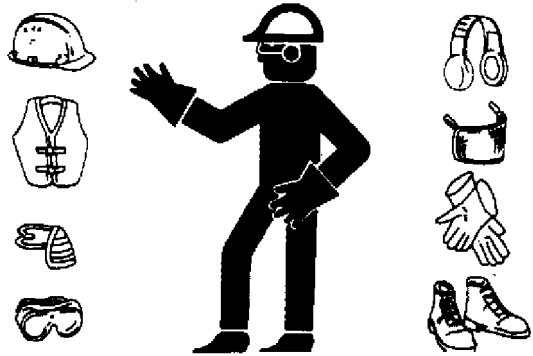
## WEAR PROTECTIVE CLOTHING

Wear close fitting clothing and safety equipment appropriate to the job.

Prolonged exposure to loud noise can cause impairment or loss of hearing.

Wear a suitable hearing protective device such as earmuffs or earplugs to protect against objectionable or uncomfortable loud noises.

Operating equipment safely requires the full attention of the operator. Do not wear radio or music headphones while operating machine.



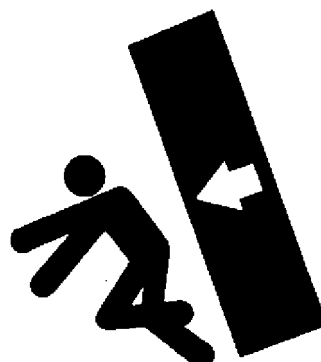
DX.WEAR -19-10SEP90

TS206  
-UN-23AUG88

## STORE ATTACHMENTS SAFELY

Stored attachments such as dual wheels, cage wheels, and loaders can fall and cause serious injury or death.

Securely store attachments and implements to prevent falling. Keep playing children and bystanders away from storage area.



DX.STORE -19-03MAR93

TS219  
-UN-23AUG88

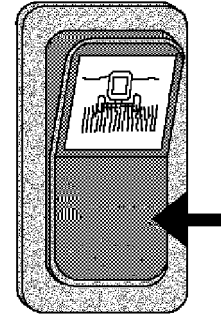


## ROAD SAFETY SWITCH

**IMPORTANT:** Before driving combine on public roads, make sure that road safety switch is in road position. Also move harvesting unit and unloading auger to transport position.

This ensures that all hydraulic functions — with exception of the steering system — are not working.

ZX 002418



ZX,SWITCHXZCO -19-01MAR95

ZX002418 -UN-16JUN95

## DRIVING THE COMBINE

Operate machine only when all guards are correctly installed.

Before moving away, always check immediate vicinity of machine (e.g. for children). Ensure adequate visibility. Use the horn as a warning immediately before moving away.

Always adapt ground speed to road or field conditions. Avoid making sharp turns when driving up or down slopes or when driving across a slope. Be especially careful when turning on slopes with full grain tank.

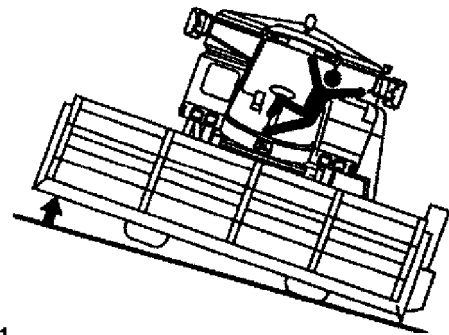
Attach harvesting units and other implements to combine with extreme care.

When making turns, always take into consideration the width of the attachment and the fact that the rear end of the combine swings out. Attachments and ground conditions affect the driving characteristics of the combine.

Reduce ground speed when driving on slopes or over uneven ground and before making sharp turns. Before descending a steep hill, shift to a lower gear.

Avoid holes, ditches and obstructions which may cause the combine to tip, particularly on hillsides.

ZX002461



ZX,DRIVEXZCO -19-27JAN92

ZX002461 -UN-16JUN95



**Suggest:**

**For more complete manuals. Please go to the home page.**

**<https://www.ebooklibonline.com>**

**If the above button click is invalid. Please download this document first, and then click the above link to download the complete manual.**

**Thank you so much for reading**

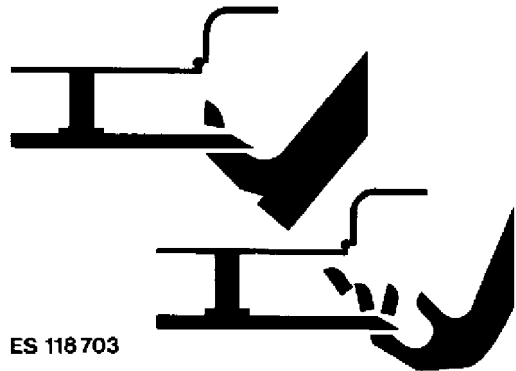


## GUARDS AND SHIELDS

Keep guards and shields in place at all times. Ensure that they are serviceable and installed correctly.

Always disengage main clutch, shut off engine and remove key before removing any guards or shields.

Keep hands, feet and clothing away from moving parts.



ES 118 703

FX,DEVICE -19-04DEC90

ES118703 -UN-21MAR95

## STAY CLEAR OF HARVESTING UNITS

Cutterbar, auger, reel and feed rolls cannot be completely shielded due to their function. Stay clear of these moving elements during operation. Always disengage main clutch, shut off engine and remove key before servicing or unclogging machine.



ES 118 704

FX,CUT -19-21DEC90

ES118704 -UN-21MAR95

## KEEP HANDS AWAY FROM KNIVES

Never attempt to clear obstructions in front of or on harvesting unit unless main clutch is disengaged, engine shut off and key removed.

Everyone must be clear of the machine before starting the engine.



FX,KNIFE1 -19-15FEB93

TS254 -UN-23AUG88

## STAY CLEAR OF ROTATING DRIVELINES

Entanglement in rotating driveline can cause serious injury or death.

Keep tractor master shield and driveline shields in place at all times. Make sure rotating shields turn freely.

Wear close fitting clothing. Stop the engine and be sure PTO driveline is stopped before making adjustments, connections, or cleaning out PTO driven equipment.



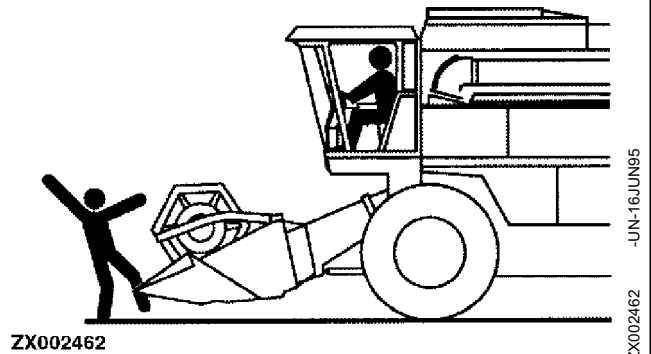
DX,PTO -19-12SEP95

TS1644 -UN-22AUG95



## TRANSPORT WITH HARVESTING UNIT INSTALLED

Before driving combine on public roads, harvesting unit must be raised and secured in this position. It must not, however, obstruct operator's view of the road. Remove crop dividers (if equipped) and install protective cover.

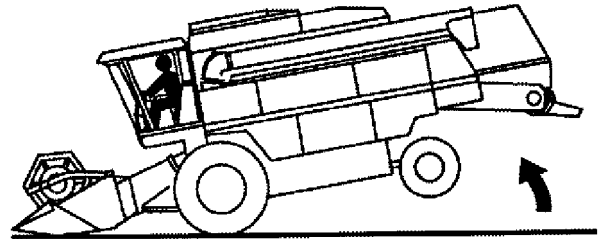


ZX,HEADERXZCO -19-27JAN92

-UN-16JUN95  
ZX002462

## BALLASTING FOR SAFE GROUND CONTACT

Operating, steering and braking performance of the combine can be considerably affected by attachments which alter the center of gravity of the machine. To maintain safe ground contact, ballast the combine at the rear end as necessary. Observe the maximum permissible axle loads and total weights.



ZX002463

ZX,WEIGHTXZCO -19-27JAN92

-UN-16JUN95  
ZX002463

## PARKING AND LEAVING THE COMBINE

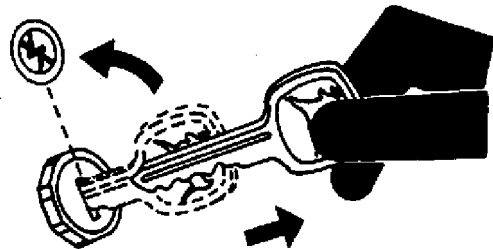
Lower harvesting unit to the ground.

Before leaving the combine, disengage harvesting unit and separator. Shut off engine and move gear shift lever to neutral. Apply parking brake, remove key and lock the operator's cab. Position chock blocks.

*NOTE: Use only chock blocks provided with the machine.*

Never leave combine unattended as long as engine is running.

Never leave the operator's cab when driving.



ZX,PARKXZCO -19-13APR92

-UN-24MAY89  
TS230

**<https://www.ebooklibonline.com>**

Hello dear friend!

Thank you very much for reading.

Enter the link into your browser.

The full manual is available for immediate download.

**<https://www.ebooklibonline.com>**