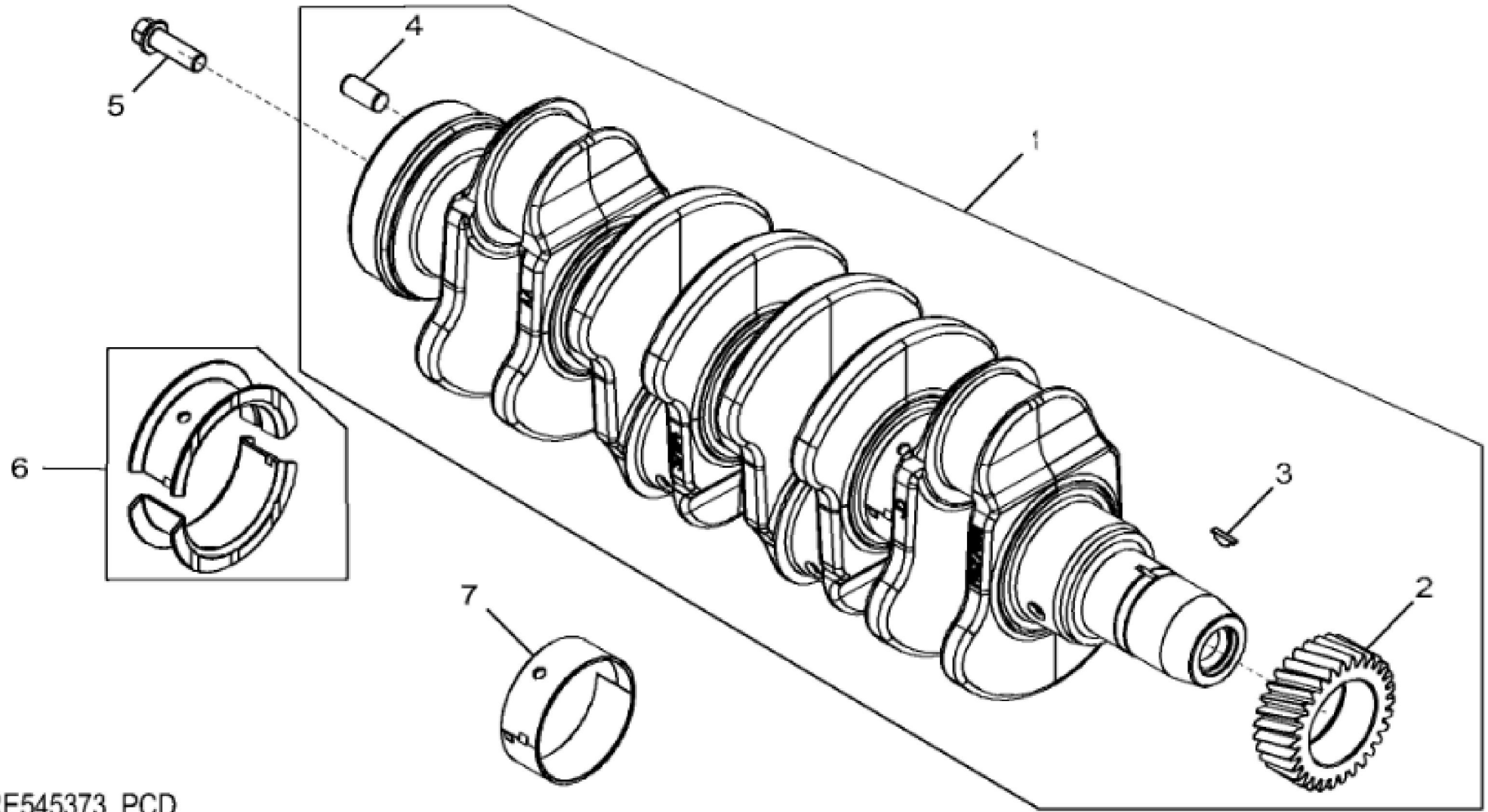


KEY	PART NO.	PART NAME	QTY	REMARKS
1	CYLINDER BLOCK	1	(Order Short Block Assembly) MARKED R533833
2	A120R	DOWEL PIN	4	
3	RE539115	FITTING	3	
4	51M7043	O-RING	1	15.300 X 2.200 mm
5	RE539113	FITTING	1	
6	51M7040	O-RING	1	9.300 X 2.200 mm
7	RE505232	FITTING	3	
8	51M7045	O-RING	1	19.300 X 2.200 mm
9	RE71255	PIPE PLUG	5	
10	B153R	DOWEL PIN	2	
11	R116466	PLUG	1	
12	R119874	BUSHING	1	
13	RE505501	BLEED VALVE	1	
14	R131425	COMPRESSION SPRING	1	
15	R111137	SPRING	1	
16	R121043	VALVE	1	
17	R115299	BUSHING	6	
18	R97185	O-RING	1	
19	15H623	PIPE PLUG	1	3/8"
20	R536082	BEARING CAP	4	MARKED R536083
21	R535005	CAP SCREW	10	
22	R535004	BEARING CAP	1	MARKED R536083
23	RE539114	FITTING	4	
24	51M7041	O-RING	1	11.300 X 2.200 mm
25	RE508185	FITTING	2	
26	U13639	O-RING	1	
27	T18891	PLUG	2	



4722_RE545373_PCD

<https://www.ebooklibonline.com>

Hello dear friend!

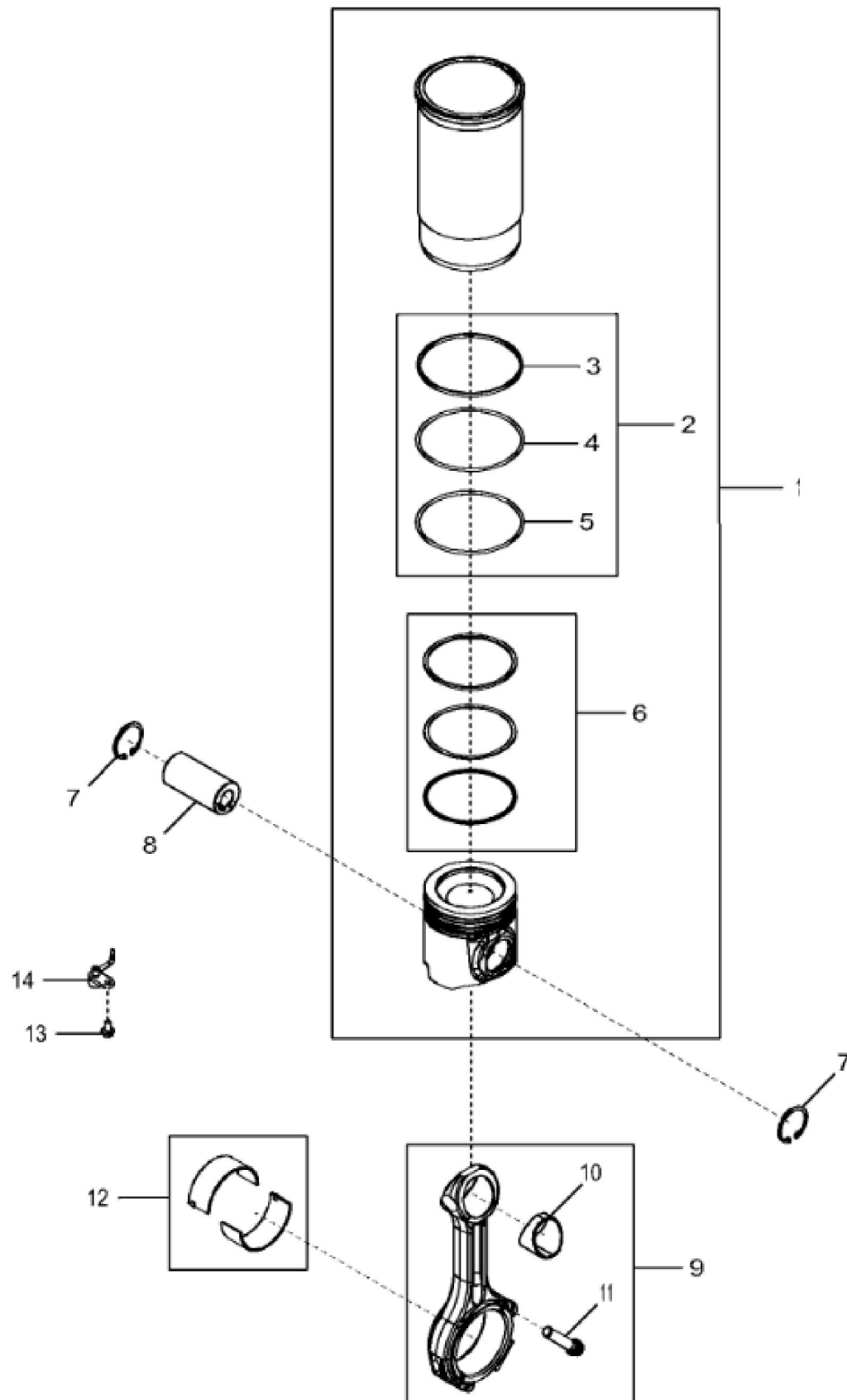
Thank you very much for reading.

Enter the link into your browser.

The full manual is available for immediate download.

<https://www.ebooklibonline.com>

KEY	PART NO.	PART NAME	QTY	REMARKS
1	RE538081	CRANKSHAFT	1	(Steel) MARKED R527891; ALSO ORDER RE537070 AND RE538097
2	R120631	GEAR	1	
3	R505609	SHAFT KEY	1	
4	R48685	DOWEL PIN	1	SUB FOR A120R
5	R531927	CAP SCREW	6	
6	RE65168	BEARING KIT	1	(Thrust)
7	RE65165	BEARING KIT	4	(Main)





Suggest:

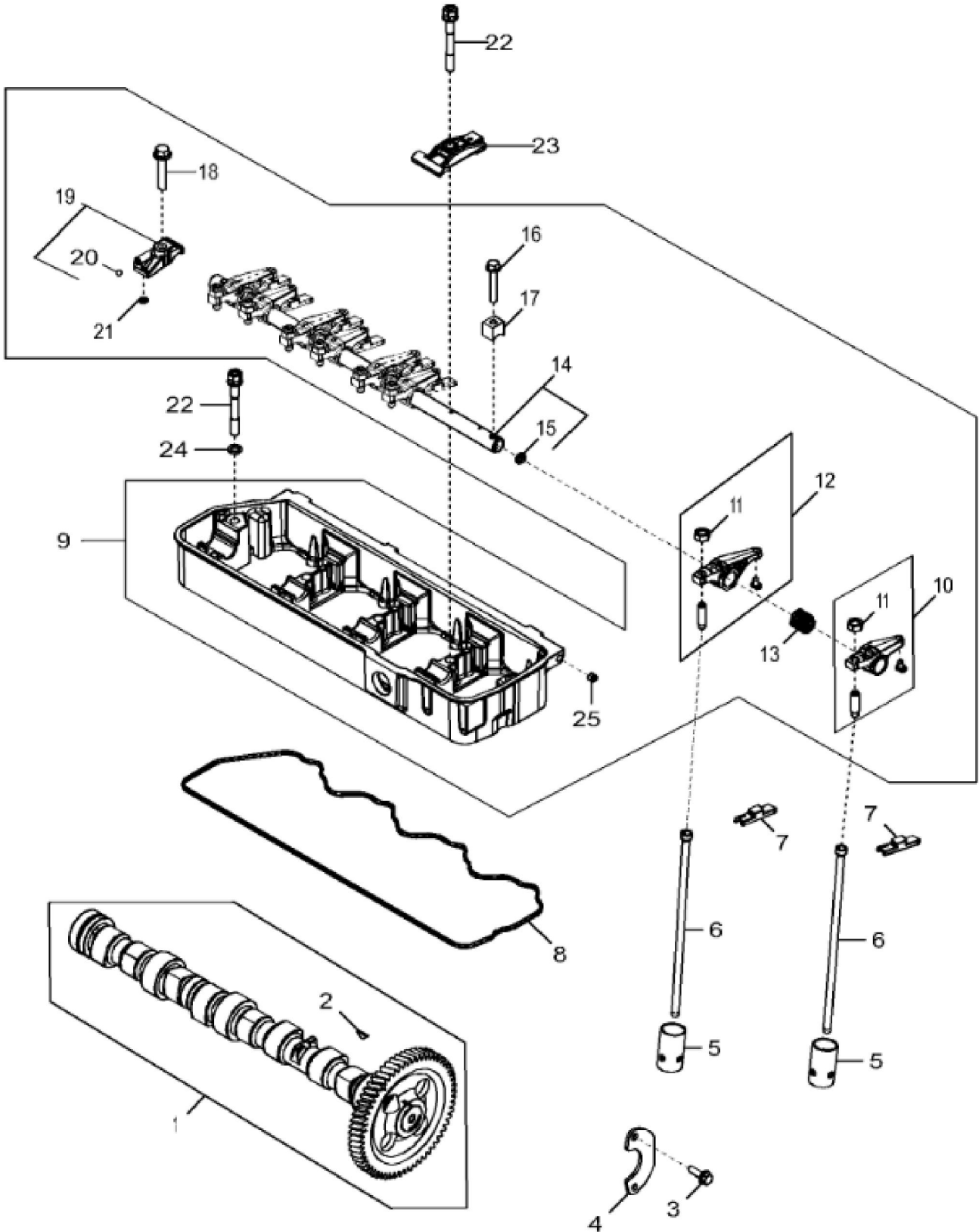
For more complete manuals. Please go to the home page.

<https://www.ebooklibonline.com>

If the above button click is invalid. Please download this document first, and then click the above link to download the complete manual.

Thank you so much for reading

KEY	PART NO.	PART NAME	QTY	REMARKS
1	RE565582	PISTON-LINER KIT	4	PISTON MARKED RE551101
2	AR65507	O-RING KIT	4	
3	R48767	PACKING	4	
4	R26121	O-RING	4	
5	R55453	O-RING	4	
6	DZ104221	PISTON RING KIT	4	
7	R54114	SNAP RING	8	
8	R528652	PISTON PIN	4	
9	RE500608	CONNECTING ROD	4	
9	SE501094	CONNECTING ROD REMAN	AR	REMAN FOR RE500608
10	R114082	BUSHING	4	
11	R501124	SCREW	8	
12	RE65908	BEARING	4	KIT; (2) R113698
13	R529612	CAP SCREW	4	
14	RE547214	NOZZLE	4	



<https://www.ebooklibonline.com>

Hello dear friend!

Thank you very much for reading.

Enter the link into your browser.

The full manual is available for immediate download.

<https://www.ebooklibonline.com>