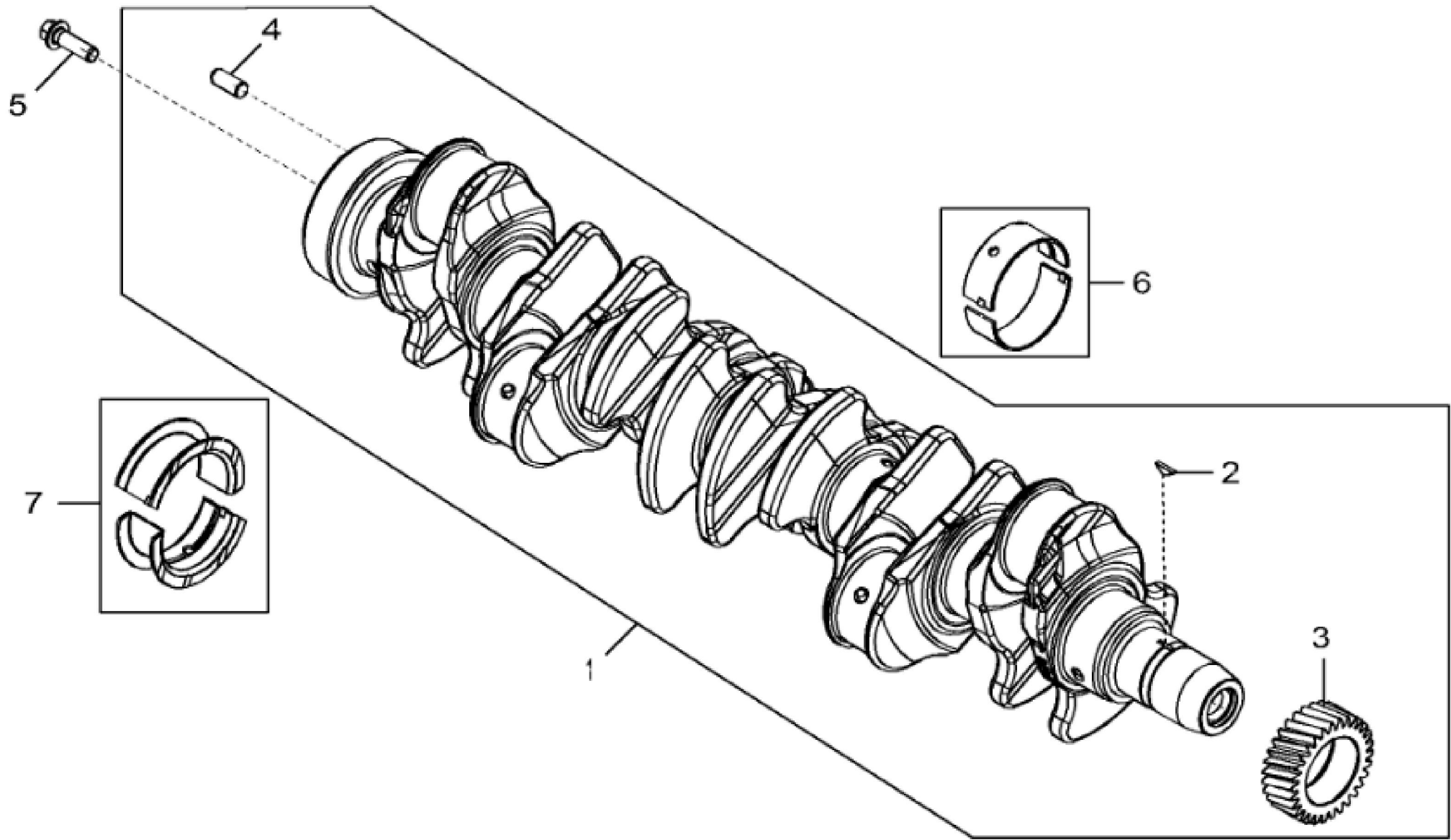


KEY	PART NO.	PART NAME	QTY	REMARKS
1	R26650	DOWEL PIN	2	
2	R116466	PLUG	1	
3	R119874	BUSHING	1	
4	30M7024	PLUG	1	
5	R26493	BUSHING	1	(Refer key 24 For More Information) ORDER DZ109926
6	R121043	VALVE	1	
7	R525706	CAP SCREW	14	
8	D2361R	BALL	1	
9	R97185	O-RING	1	
10	15H695	PIPE PLUG	1	3/8"
11	15H685	PIPE PLUG	1	1/4"
12	RE539116	FITTING	4	
13	51M7047	O-RING	4	23.600 X 2.900 mm
14	RE539115	FITTING	3	
15	51M7043	O-RING	3	15.300 X 2.200 mm
16	RE539114	FITTING	6	
17	51M7041	O-RING	6	11.300 X 2.200 mm
18	RE508185	FITTING	1	
19	U13639	O-RING	1	
20	T18891	PLUG	2	
21	R48685	DOWEL PIN	4	
22	CYLINDER BLOCK	1	MARKED R530904; ORDER RE539717
22	RE539717	SHORT BLOCK ASSEMBLY	1	
23	R111137	SPRING	1	
24	DZ109926	BUSHING	1	USE WITH DZ109927 PRV, DZ106855 SPRING AND DZ109925 FITTING PLUG; ALSO ORDER A4827R SEALING WASHER



<https://www.ebooklibonline.com>

Hello dear friend!

Thank you very much for reading.

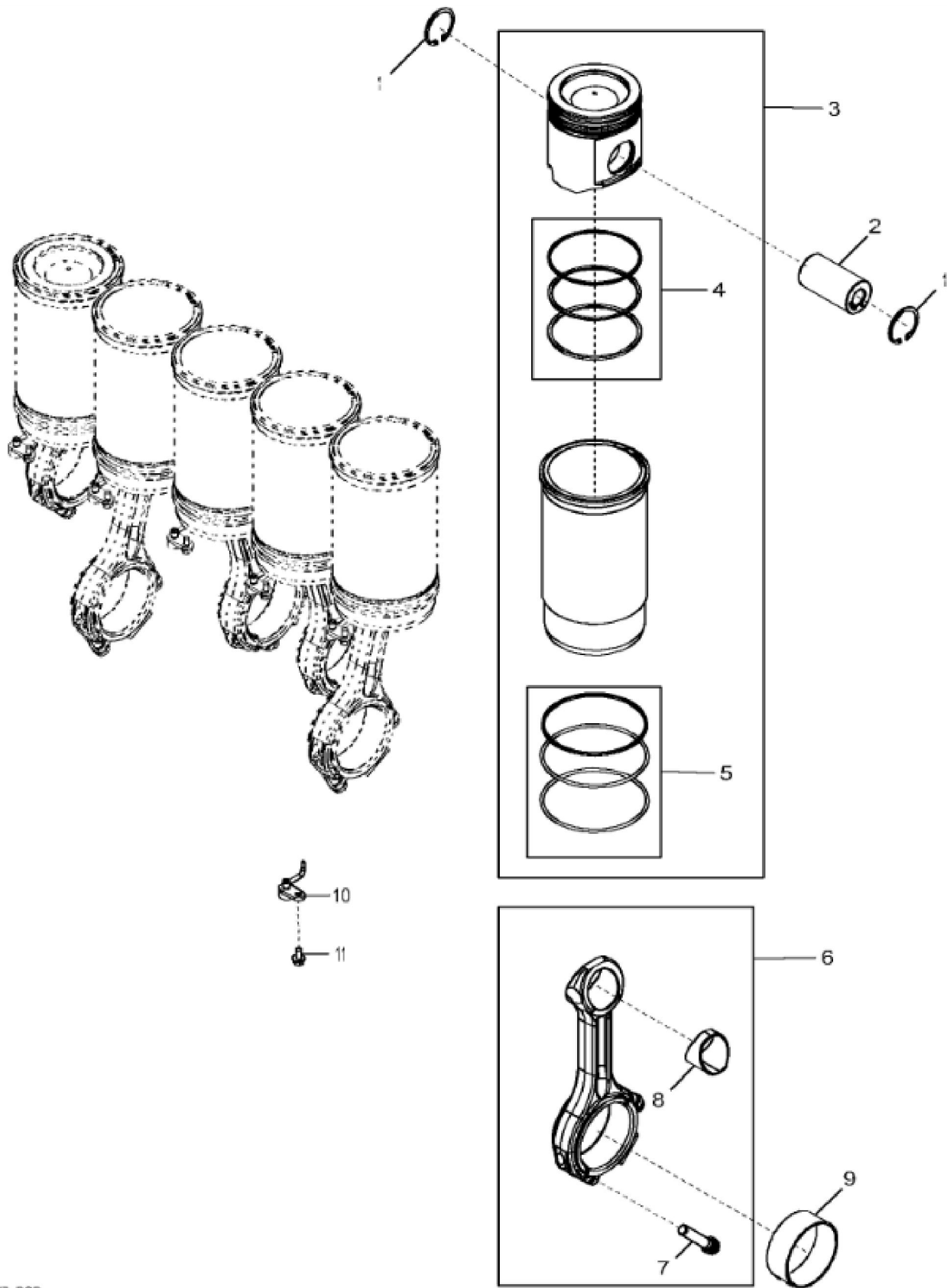
Enter the link into your browser.

The full manual is available for immediate download.

<https://www.ebooklibonline.com>

John Deere > Construction And Forestry >BACKHOE, LOADER >710K - BACKHOE, LOADER >710K Backhoe Loader (Engine 6068HT079)(PIN: 1T0710KX_E219607-) >04 ENGINE 6068HT079-RE538971
 >0400 ENGINE 6068HT079-RE538971 6068HT079 >ST816629 - 4712 CRANKSHAFT AND BEARINGS

KEY	PART NO.	PART NAME	QTY	REMARKS
1	RE505921	CRANKSHAFT	1	MARKED R503470; ALSO ORDER RE537070 AND RE537071
1	SE501655	CRANKSHAFT REMAN	1	(With Bearings) REMAN FOR RE505921
2	R505609	SHAFT KEY	1	LGTH = 18.5 mm
3	R120631	GEAR	1	Z = 30
4	R48685	DOWEL PIN	1	SUB FOR A120R
5	R135918	BOLT	6	
6	RE65165	BEARING KIT	6	STD, Kit, R123561 AND R123562
6	RE65911	BEARING	AR	US = 0.254 mm, Kit, R130576 AND R130577
7	RE65168	BEARING KIT	1	STD, Kit, R123564 AND R123563
7	RE65912	THRUST BEARING	AR	US = 0.254 mm, Kit, R130574 AND R130575





Suggest:

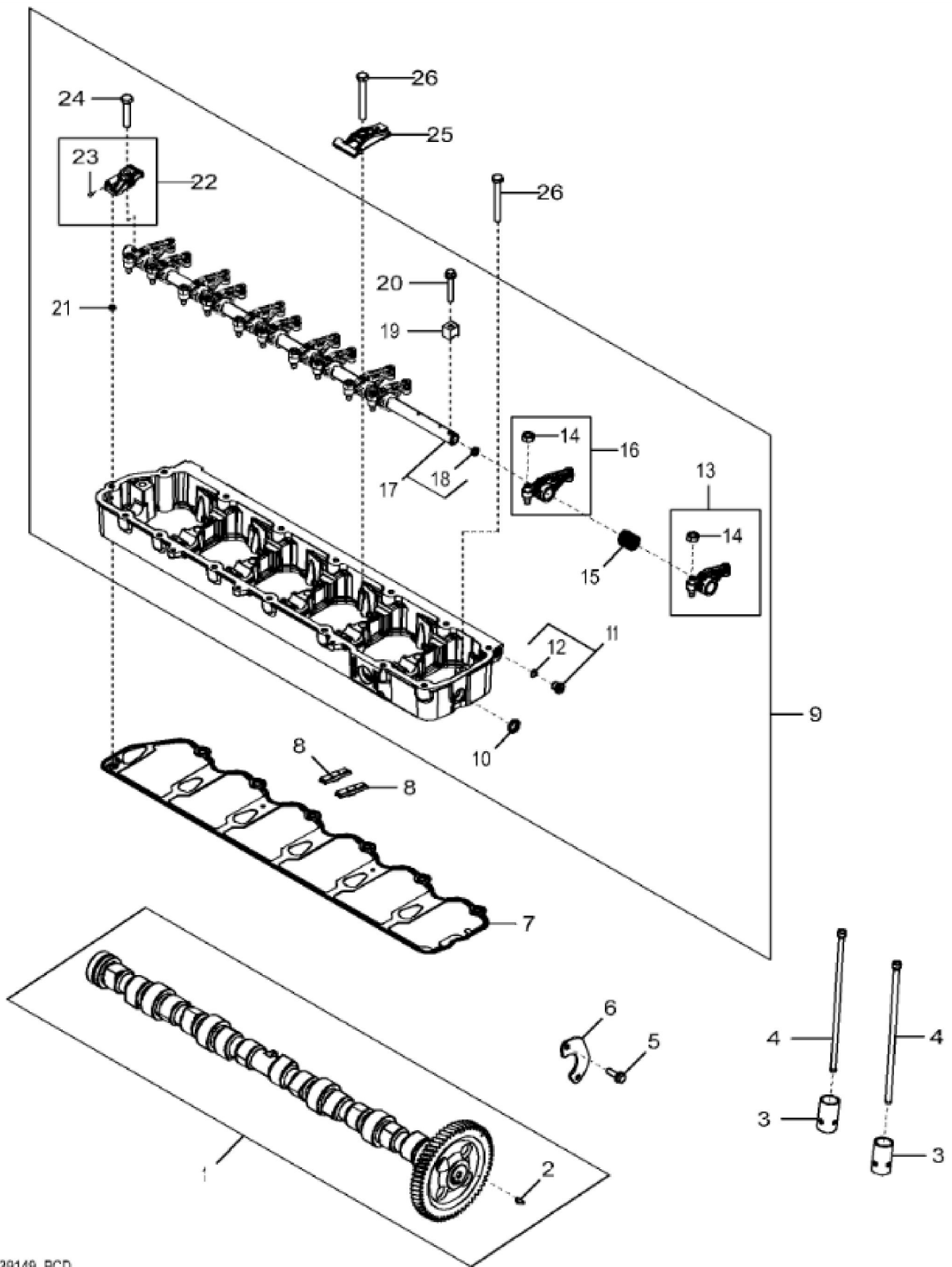
For more complete manuals. Please go to the home page.

<https://www.ebooklibonline.com>

If the above button click is invalid. Please download this document first, and then click the above link to download the complete manual.

Thank you so much for reading

KEY	PART NO.	PART NAME	QTY	REMARKS	
1	R54114	SNAP RING	12		
2	R502755	PISTON PIN	6		
3	RE544825	PISTON-LINER KIT	6		
4	RE539423	PISTON RING KIT	1		
5	RE539558	SEAL KIT	1		
6	RE500608	CONNECTING ROD	6		
6	SE501094	CONNECTING ROD REMAN	6	REMAN FOR RE500608	
7	R501124	SCREW	2		
8	R114082	BUSHING	1		
9	RE539421	BEARING KIT	6	KIT (2) R525684	
10	RE547214	NOZZLE	6		
11	R529612	CAP SCREW	6		



<https://www.ebooklibonline.com>

Hello dear friend!

Thank you very much for reading.

Enter the link into your browser.

The full manual is available for immediate download.

<https://www.ebooklibonline.com>