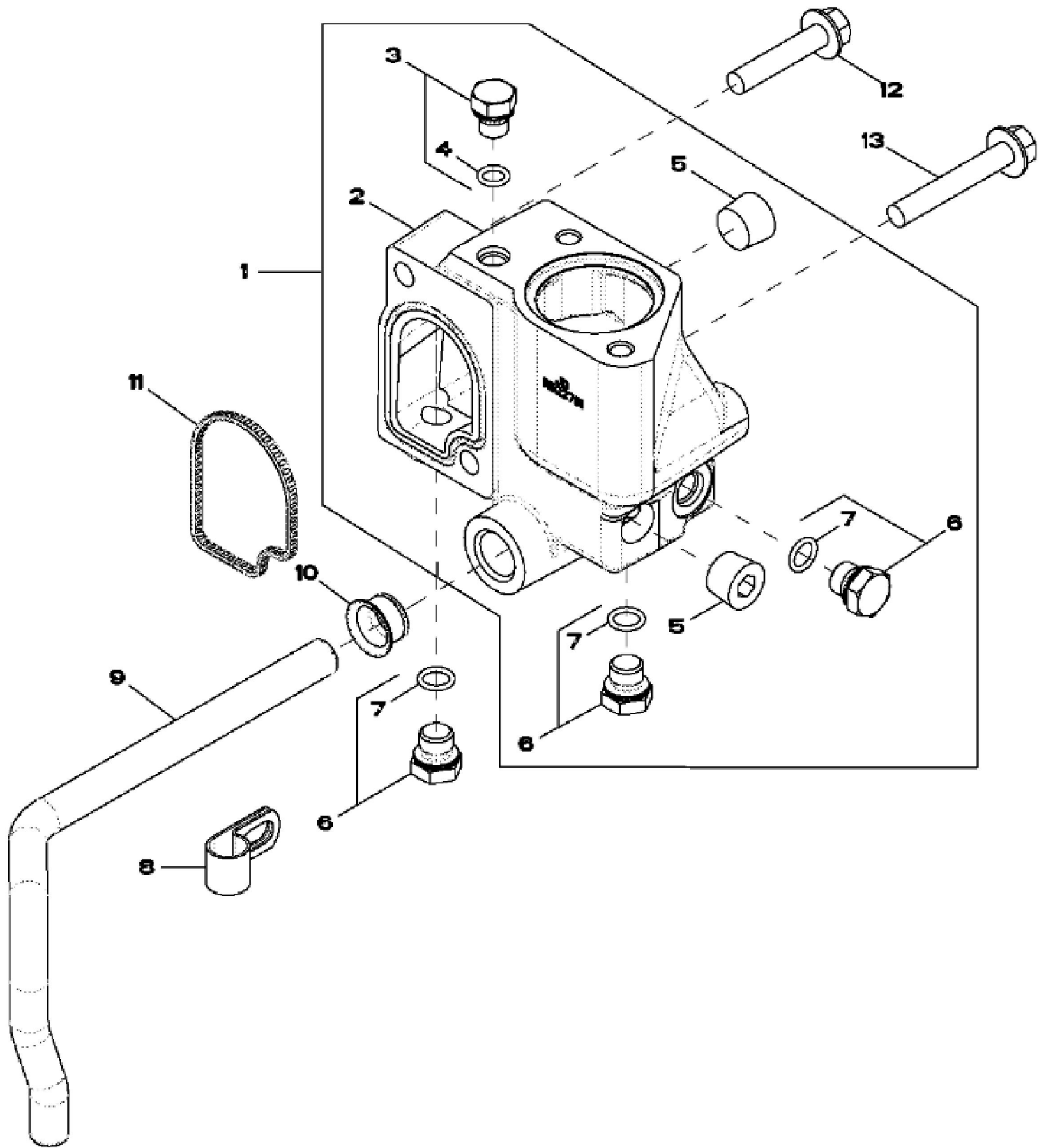


3799_RE59619_PCD

John Deere > Construction And Forestry >BACKHOE, LOADER >710K - BACKHOE, LOADER >710K Backhoe Loader (Engine 6068HT067)(PIN: 1T0710KX__D219607-) >04 ENGINE 6068HT067-RE549197 - RE554447 >0400 ENGINE 6068HT067-RE549197 - RE554447 6068HT067 >ST151775 - 3799 FUEL TRANSFER PUMP COVER

KEY	PART NO.	PART NAME	QTY	REMARKS	
1	RE66334	CAP SCREW	2	(Threads With Pre-Applied Sealant)	
2	R123396	COVER	1		



RE528584PCDC02

<https://www.ebooklibonline.com>

Hello dear friend!

Thank you very much for reading.

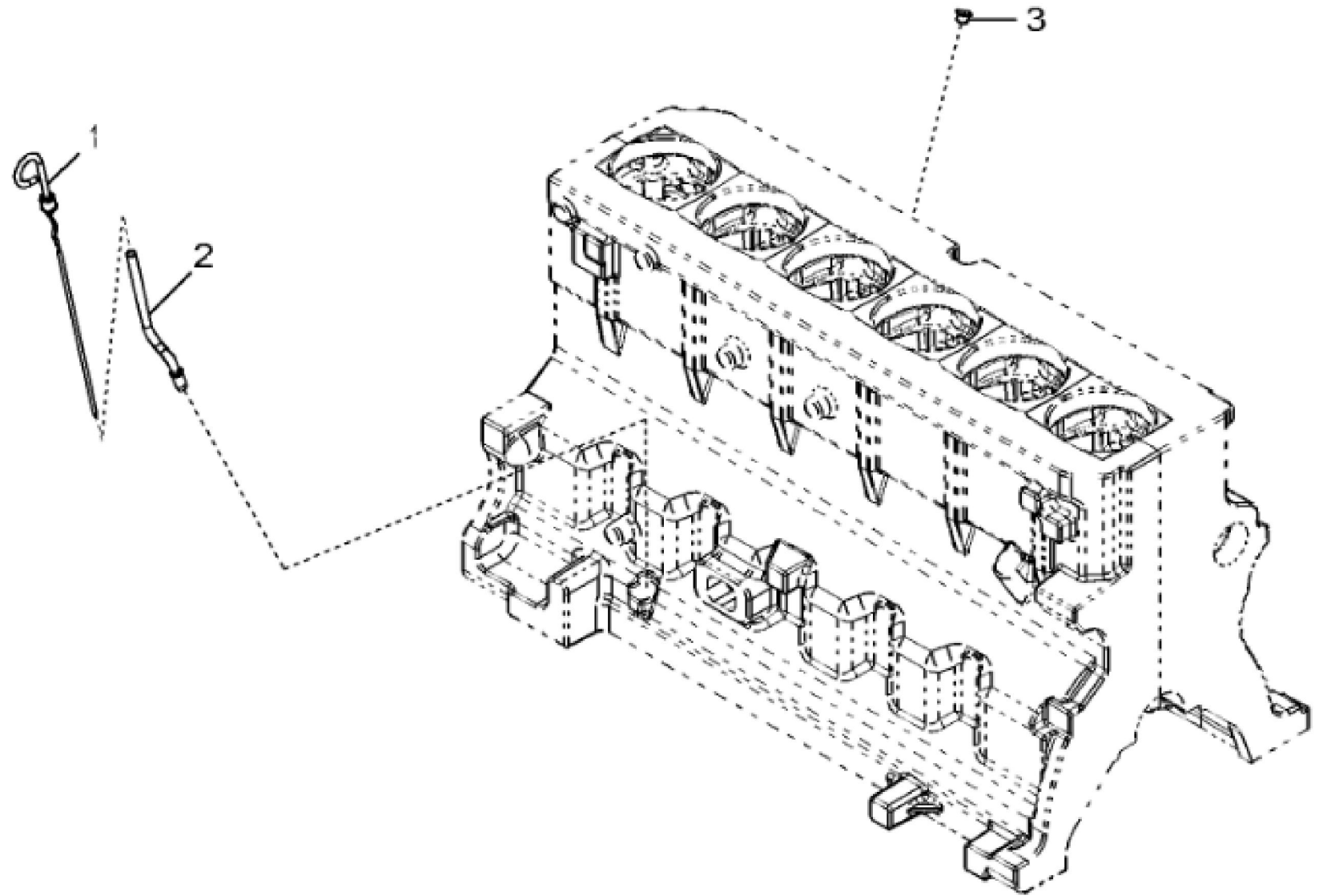
Enter the link into your browser.

The full manual is available for immediate download.

<https://www.ebooklibonline.com>

John Deere > Construction And Forestry >BACKHOE, LOADER >710K - BACKHOE, LOADER >710K Backhoe Loader (Engine 6068HT067)(PIN: 1T0710KX__D219607-) >04 ENGINE 6068HT067-RE549197 - RE554447 >0400 ENGINE 6068HT067-RE549197 - RE554447 6068HT067 >ST30493 - 3924 THERMOSTAT HOUSING

KEY	PART NO.	PART NAME	QTY	REMARKS
1	RE532653	HOUSING	1	Kit
2	R522781	HOUSING	1	
3	RE46686	FITTING	1	M12 X 1.5
4	51M7040	O-RING	1	9.300 X 2.200 mm
5	15H584	PIPE PLUG	2	1/2"
6	RE46684	FITTING PLUG	3	M14 X 1.5
7	51M7041	O-RING	1	11.300 X 2.200 mm
8	R128415	CLAMP	1	
9	R519025	TUBE	1	
10	R123226	SEAL	1	
11	R501228	SEAL	1	
12	19M8292	SCREW	1	M10 X 50
13	19M7808	SCREW	1	M10 X 65





Suggest:

For more complete manuals. Please go to the home page.

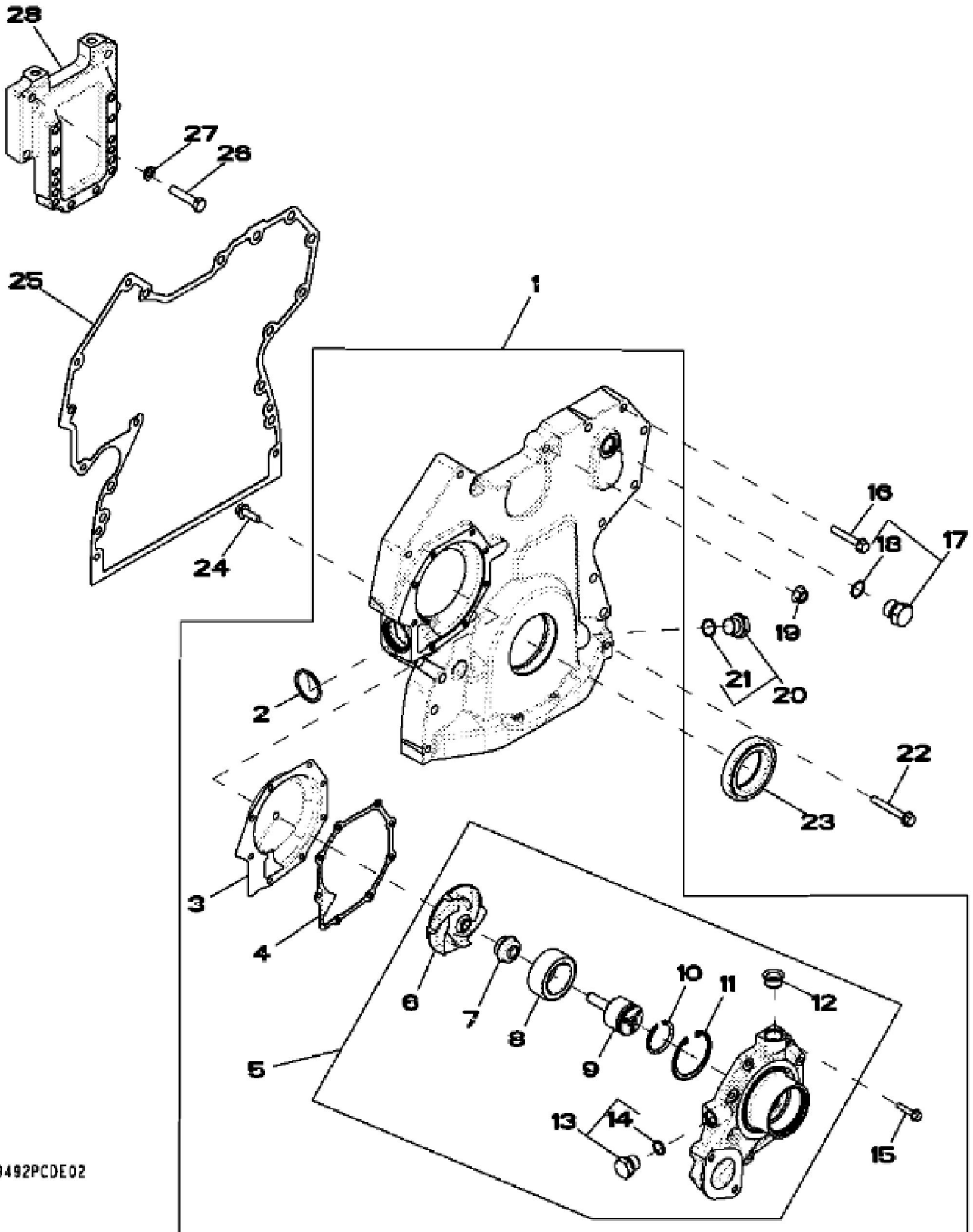
<https://www.ebooklibonline.com>

If the above button click is invalid. Please download this document first, and then click the above link to download the complete manual.

Thank you so much for reading

John Deere > Construction And Forestry >BACKHOE, LOADER >710K - BACKHOE, LOADER >710K Backhoe Loader (Engine 6068HT067)(PIN: 1T0710KX__D219607-) >04 ENGINE 6068HT067-RE549197 - RE554447 >0400 ENGINE 6068HT067-RE549197 - RE554447 6068HT067 >ST37719 - 4002 ENGINE OIL DIPSTICK

KEY	PART NO.	PART NAME	QTY	REMARKS	
1	RE69243	DIPSTICK	1		
2	R502604	DIPSTICK TUBE	1	SUB FOR APPL R130055	
3	R502725	PLUG	1	SUB FOR R134240	



RE529492PCDE02

<https://www.ebooklibonline.com>

Hello dear friend!

Thank you very much for reading.

Enter the link into your browser.

The full manual is available for immediate download.

<https://www.ebooklibonline.com>