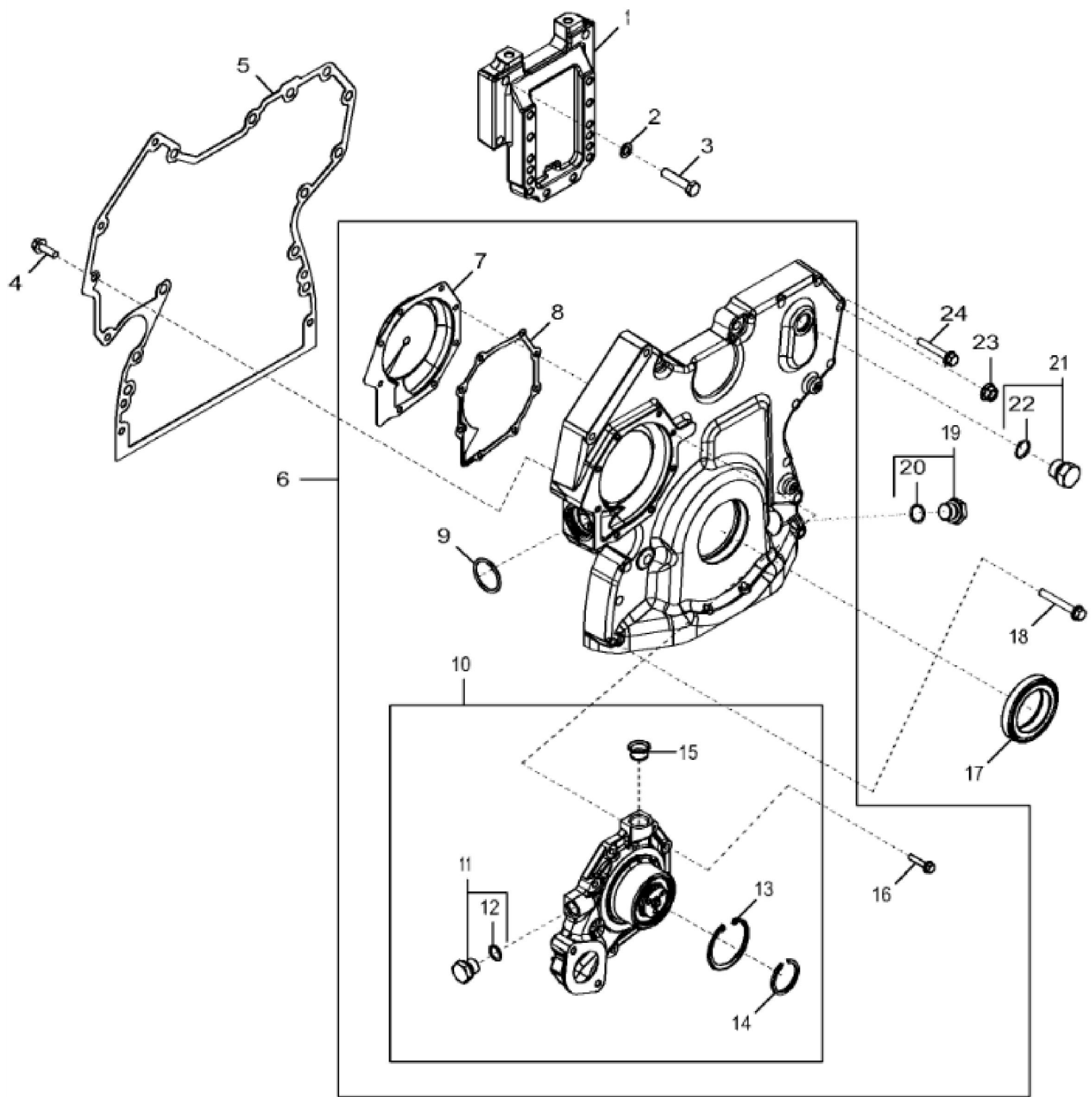


4002_RE58181_PCD

John Deere > Construction And Forestry >BACKHOE, LOADER >710J - BACKHOE, LOADER >710J Backhoe Loader >04A ENGINE 6068HT067-RE529427 >0400A ENGINE 6068HT067-RE529427 6068HT067 >ST37719 - 4002 ENGINE OIL DIPSTICK

| KEY | PART NO. | PART NAME | QTY | REMARKS | |
|-----|----------|---------------|-----|----------------------|--|
| 1 | RE69243 | DIPSTICK | 1 | | |
| 2 | R502604 | DIPSTICK TUBE | 1 | SUB FOR APPL R130055 | |
| 3 | R502725 | PLUG | 1 | SUB FOR R134240 | |



<https://www.ebooklibonline.com>

Hello dear friend!

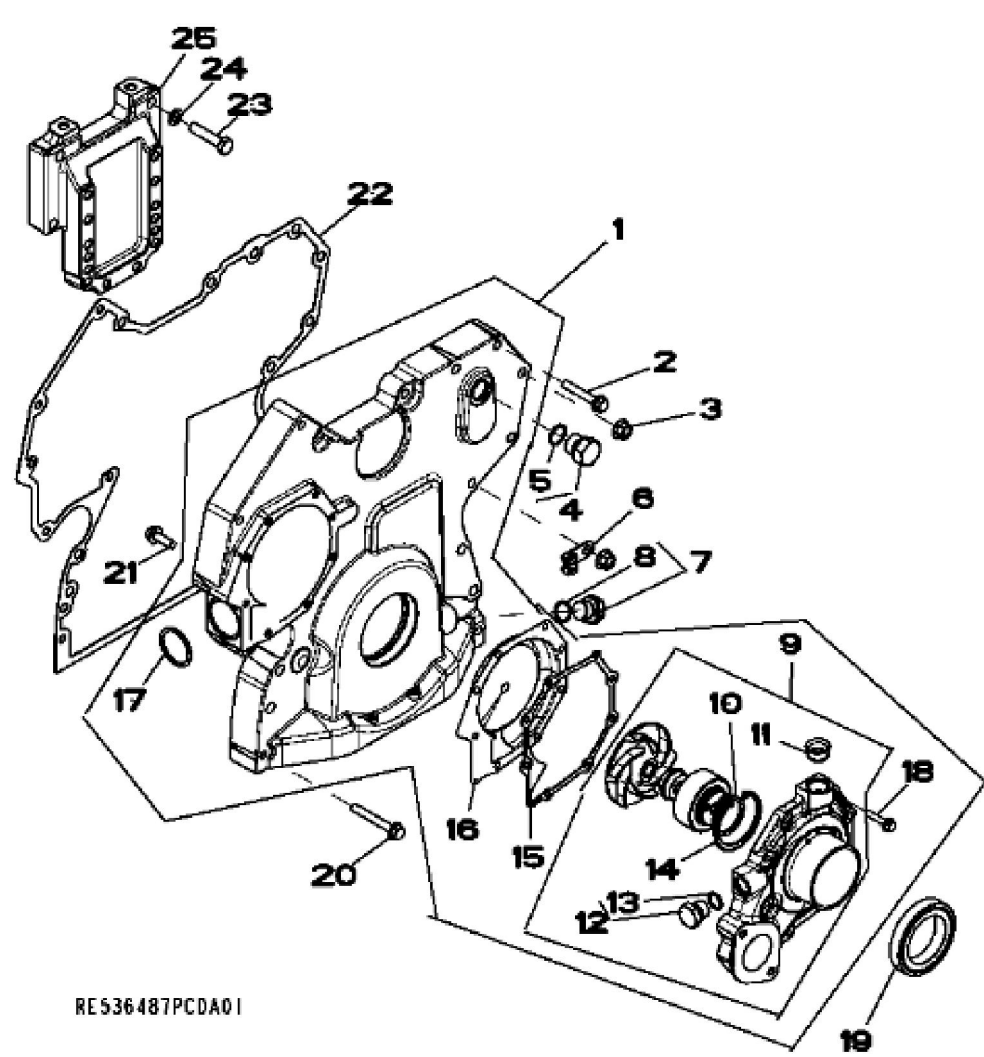
Thank you very much for reading.

Enter the link into your browser.

The full manual is available for immediate download.

<https://www.ebooklibonline.com>

| KEY | PART NO. | PART NAME | QTY | REMARKS |
|-----|----------|------------------|-----|--|
| 1 | R522907 | SUPPORT | 1 | |
| 2 | 24M7096 | WASHER | 4 | 10.500 X 18 X 1.600 mm |
| 3 | 19M8488 | CAP SCREW | 4 | M10 X 45 |
| 4 | 19M7867 | SCREW | 1 | M8 X 25 |
| 5 | R545884 | GASKET | 1 | SUB FOR R526945 OR R523185 OR R519656 |
| 6 | DZ10385 | COVER | 1 | MARKED R503769; SUB FOR RE505840 AND RE546905 |
| 7 | RE508566 | INSERT | 1 | (Include Instructions) |
| 8 | R123417 | GASKET | 1 | |
| 9 | R504734 | O-RING | 1 | |
| 10 | RE546906 | WATER PUMP | 1 | MARKED R532562; ALSO ORDER R123417; SUB FOR RE505980 |
| 10 | SE501609 | WATER PUMP REMAN | 1 | REMAN FOR RE546906 |
| 11 | RE46685 | FITTING PLUG | 1 | |
| 12 | 51M7043 | O-RING | 1 | 15.300 X 2.200 mm |
| 13 | R71228 | RING | 1 | |
| 14 | A364R | SNAP RING | 1 | |
| 15 | R123226 | SEAL | 1 | |
| 16 | 19M7796 | SCREW | 8 | M6 X 30 |
| 17 | RE538097 | SEAL | 1 | SUB FOR RE505515 |
| 18 | 19M7801 | SCREW | 3 | M8 X 60 |
| 19 | RE517370 | FITTING | 1 | |
| 20 | 51M7044 | O-RING | 1 | 17.300 X 2.200 mm |
| 21 | RE46687 | DRAIN PLUG | 1 | |
| 22 | 51M7045 | O-RING | 1 | 19.300 X 2.200 mm |
| 23 | 14M7296 | FLANGE NUT | 9 | M10 |
| 24 | 19M7800 | SCREW | 3 | M8 X 50 |



RE536487PCDA01



Suggest:

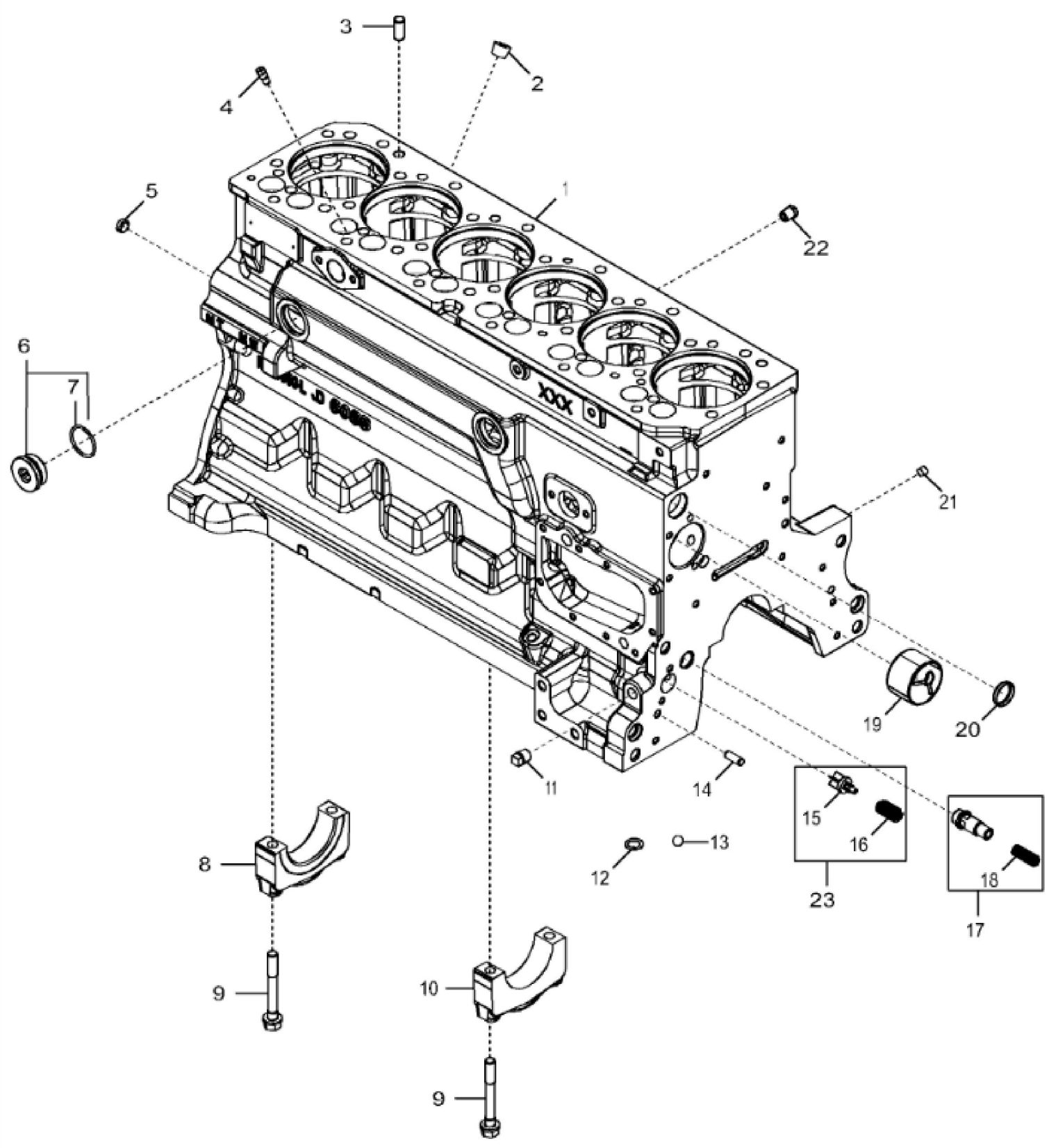
For more complete manuals. Please go to the home page.

<https://www.ebooklibonline.com>

If the above button click is invalid. Please download this document first, and then click the above link to download the complete manual.

Thank you so much for reading

| KEY | PART NO. | PART NAME | QTY | REMARKS |
|-----|----------|------------------|-----|----------------------------------|
| 1 | RE505840 | COVER | 1 | (MARKED R503769) |
| 2 | 19M7800 | SCREW | 5 | M8 X 50 |
| 3 | 14M7296 | FLANGE NUT | 9 | M10 |
| 4 | RE46687 | DRAIN PLUG | 1 | |
| 5 | 51M7045 | O-RING | 1 | 19.300 X 2.200 mm |
| 6 | 57M8909 | CLIP | 1 | |
| 7 | RE517370 | FITTING | 1 | |
| 8 | 51M7044 | O-RING | 1 | 17.300 X 2.200 mm |
| 9 | RE505980 | WATER PUMP | 1 | (ALSO ORDER R123417 AND R123226) |
| 9 | SE501609 | WATER PUMP REMAN | 1 | (Reman For RE505980) |
| 10 | A364R | SNAP RING | 1 | |
| 11 | R123226 | SEAL | 1 | |
| 12 | RE46685 | FITTING PLUG | 1 | M18 X 1.5 |
| 13 | 51M7043 | O-RING | 1 | 15.300 X 2.200 mm |
| 14 | R71228 | RING | 1 | |
| 15 | R123417 | GASKET | 1 | |
| 16 | RE508566 | INSERT | 1 | (INCLUDES INSTRUCTIONS) |
| 17 | R504734 | O-RING | 1 | |
| 18 | 19M7796 | SCREW | 8 | M6 X 30 |
| 19 | RE516340 | SEAL | 1 | |
| 20 | 19M7801 | SCREW | 3 | M8 X 60 |
| 21 | 19M7867 | SCREW | 1 | M8 X 25 |
| 22 | R526945 | GASKET | 1 | |
| 23 | 19M8488 | CAP SCREW | 4 | M10 X 45 |
| 24 | 24M7096 | WASHER | 4 | 10.500 X 18 X 1.600 mm |
| 25 | R522907 | SUPPORT | 1 | |



<https://www.ebooklibonline.com>

Hello dear friend!

Thank you very much for reading.

Enter the link into your browser.

The full manual is available for immediate download.

<https://www.ebooklibonline.com>