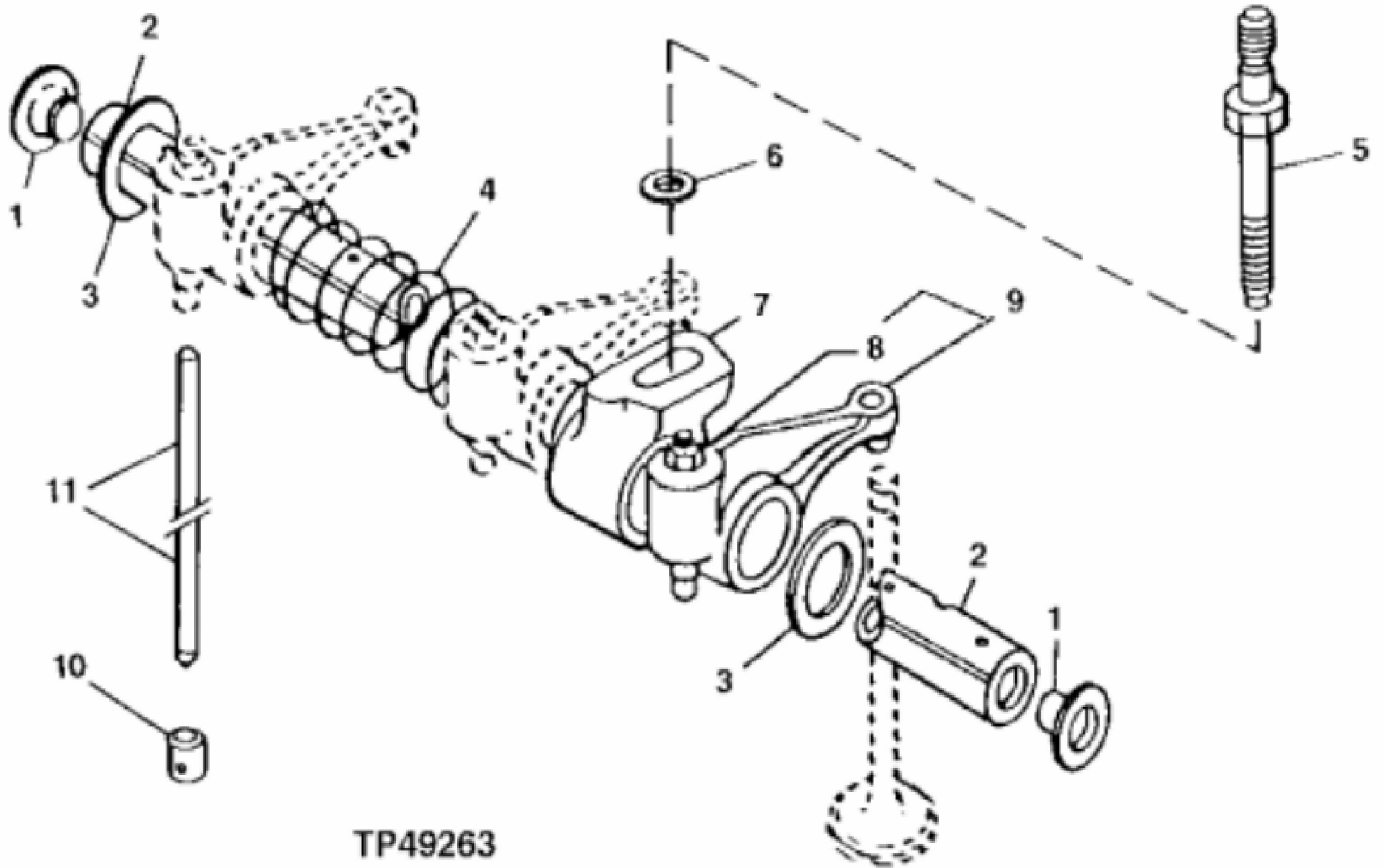


TP62408

John Deere > Construction And Forestry >BACKHOE, LOADER >710G - BACKHOE, LOADER >710G Backhoe Loader >04 710G BACKHOE LOADER 6068TT057 -RE518287 >0400 710G BACKHOE LOADER 6068TT057 -RE518287 6068TT057 >ST398086 - ROCKER ARM COVER WITH GASKET

KEY	PART NO.	PART NAME	QTY	REMARKS	
1	H23125	PLUG	6		
2	R123574	NUT	6		
3	R123575	O-RING	6		
4	R121674	MEDALLION	1		
5	RE503027	VALVE COVER	1		
6	R123543	GASKET	1		
6	RE520540	GASKET KIT	1	(HIGH TEMPERATURE)	



TP49263

<https://www.ebooklibonline.com>

Hello dear friend!

Thank you very much for reading.

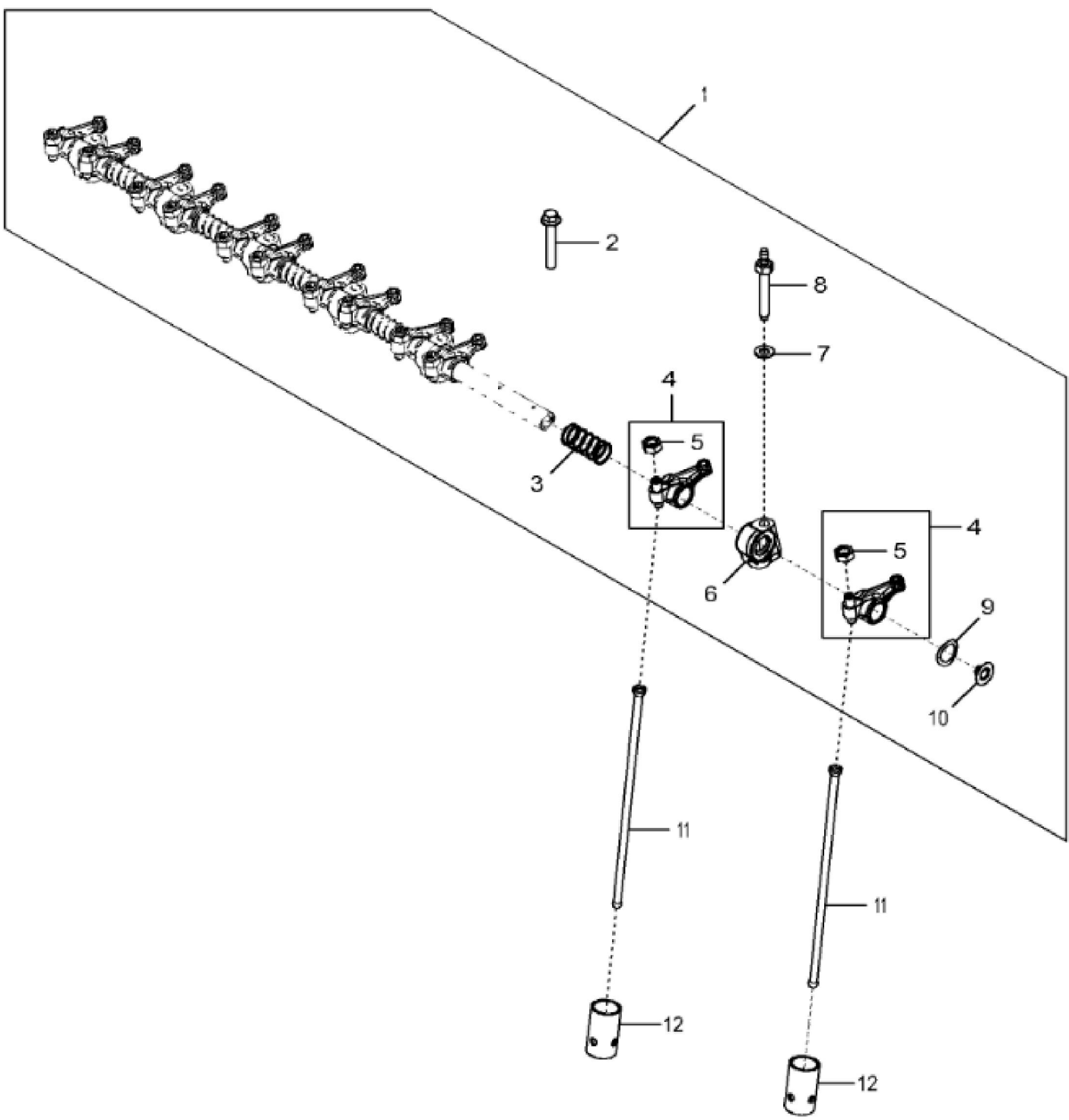
Enter the link into your browser.

The full manual is available for immediate download.

<https://www.ebooklibonline.com>

John Deere > Construction And Forestry >BACKHOE, LOADER >710G - BACKHOE, LOADER >710G Backhoe Loader >04 710G BACKHOE LOADER 6068TT057 -RE518287 >0400 710G BACKHOE LOADER 6068TT057 -RE518287 6068TT057 >ST398087 - ROCKER ARMS, SHAFT AND PUSH RODS

KEY	PART NO.	PART NAME	QTY	REMARKS	
1	R54565	PLUG	2		
2	R123514	ROCKER ARM SHAFT	1		
3	T20316	WASHER	2		
4	T20314	SPRING	5		
5	R123271	STUD	6		
6	24M7346	WASHER	6	11 X 20 X 2 mm	
7	R123161	SUPPORT	6		
8	14M7148	NUT	1	M10	
9	RE68695	ROCKER ARM	12	(SUB FORRE508317, THIS APPLICATION)	
10	R123565	CAM FOLLOWER	12		
11	R107731	PUSH ROD	12		





Suggest:

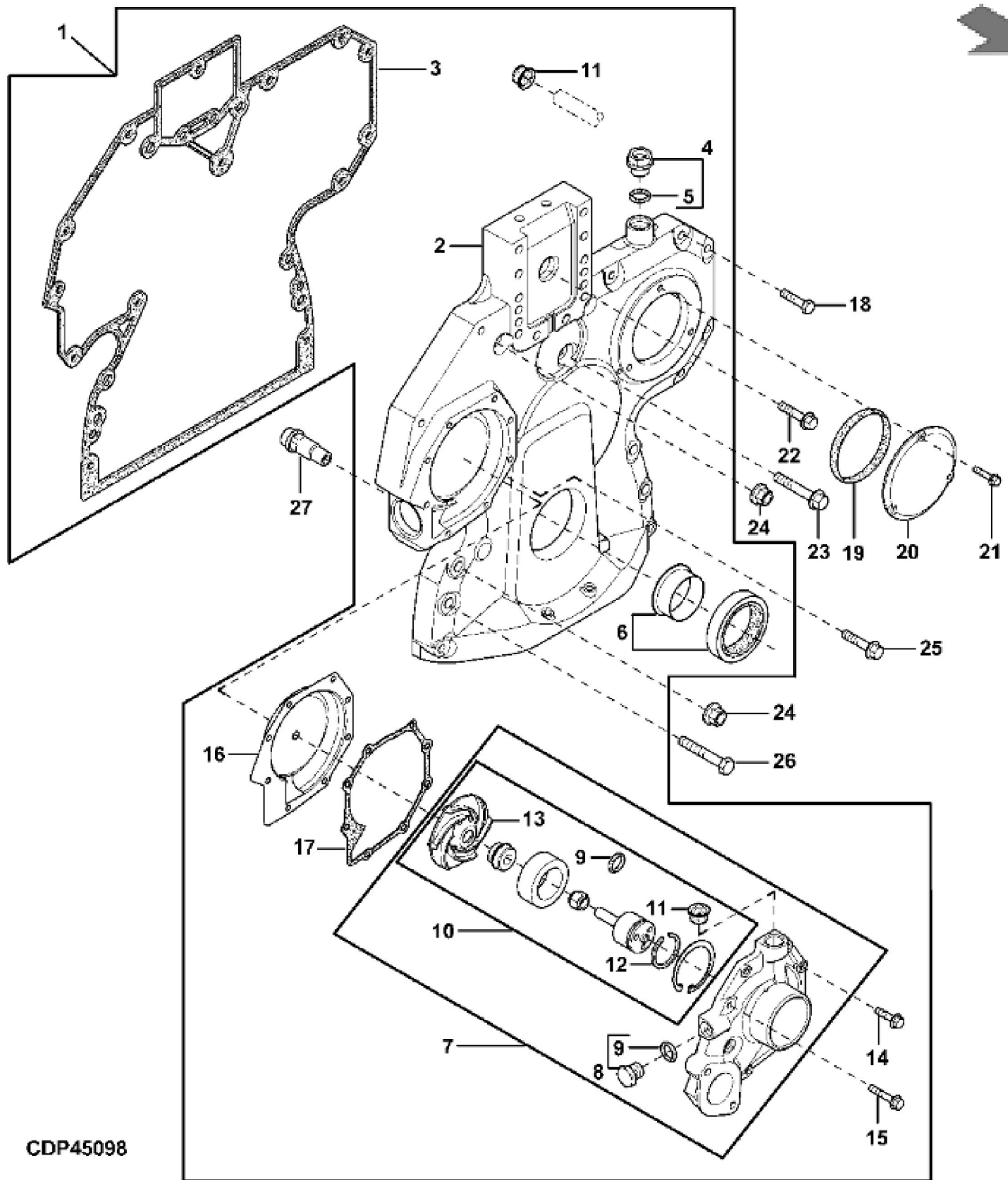
For more complete manuals. Please go to the home page.

<https://www.ebooklibonline.com>

If the above button click is invalid. Please download this document first, and then click the above link to download the complete manual.

Thank you so much for reading

KEY	PART NO.	PART NAME	QTY	REMARKS
1	RE548060	SHAFT KIT	1	SUB FOR RE519737 OR RE523806 OR RE547826
2	R504813	SELF-LOCKING SCREW	6	
3	T20314	SPRING	5	
4	RE508317	ROCKER ARM	12	MARKED R133629
5	14M7148	NUT	1	M10
6	R123161	SUPPORT	6	(Aluminium) SUB FOR R519767
7	R529416	WASHER	6	SUB FOR 24M7346
8	R123271	STUD	6	
9	T20316	WASHER	2	
10	R54565	PLUG	2	
11	R107731	PUSH ROD	12	LGTH = 265 mm; 10.43"
12	DZ101670	CAM FOLLOWER	12	SUB FOR R123565



CDP45098

<https://www.ebooklibonline.com>

Hello dear friend!

Thank you very much for reading.

Enter the link into your browser.

The full manual is available for immediate download.

<https://www.ebooklibonline.com>