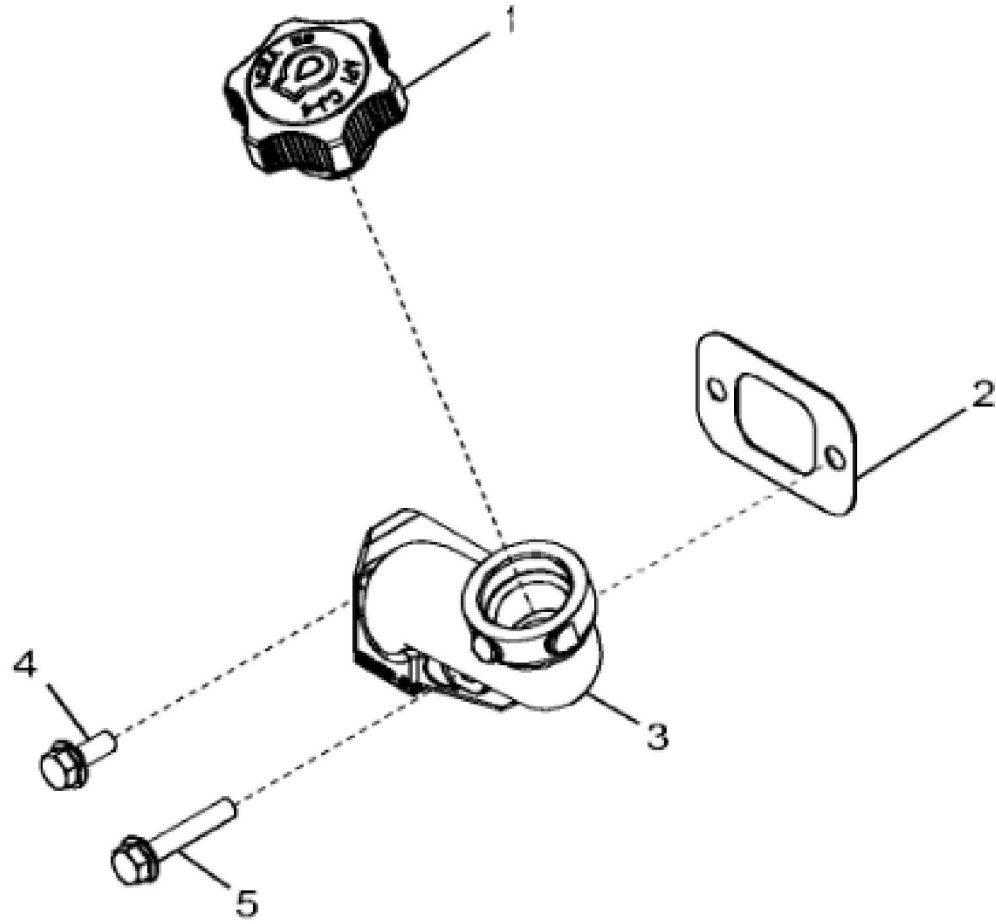


John Deere > Construction And Forestry >BACKHOE, LOADER >410K - BACKHOE, LOADER >410K Backhoe Loader (Engine 4045HT063, 4045HT073)(PIN: 1T0410KX\_\_E219607 - E277405) >04A ENGINE 4045HT073-RE546630 >0400A ENGINE 4045HT073-RE546630 4045HT073 >ST400926 - 1183 ROCKER ARM COVER

KEY	PART NO.	PART NAME	QTY	REMARKS
1	R524499	GASKET	1	
2	19M7775	SCREW	2	M6 X 16
3	R515555	DEFLECTOR	1	
4	R543296	HOSE	1	
5	TY22462	CLAMP	1	
6	RE561710	VALVE COVER	1	MARKED R540192
7	RE542918	VALVE	1	USE WITH RE561710
8	R123575	O-RING	5	
9	R521390	SCREW	5	
10	H23125	PLUG	5	
11	R529614	VALVE COVER	1	ORDER RE561710
12	R532038	VALVE	1	ORDER RE542918; USE WITH R529614



1251\_RE548009\_PCD

**<https://www.ebooklibonline.com>**

Hello dear friend!

Thank you very much for reading.

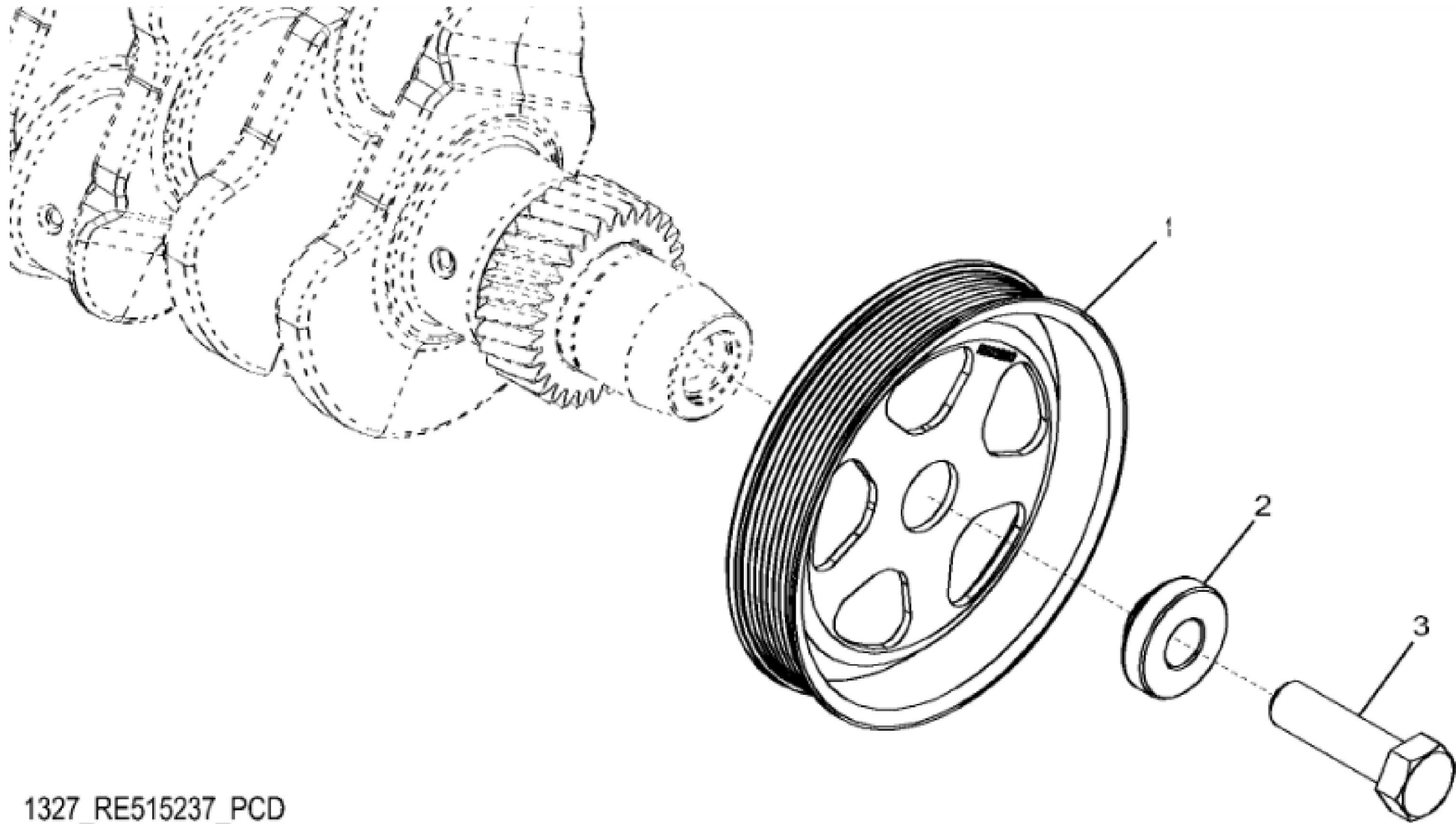
Enter the link into your browser.

The full manual is available for immediate download.

**<https://www.ebooklibonline.com>**

John Deere > Construction And Forestry >BACKHOE, LOADER >410K - BACKHOE, LOADER >410K Backhoe Loader (Engine 4045HT063, 4045HT073)(PIN: 1T0410KX\_\_E219607 - E277405) >04A ENGINE 4045HT073-RE546630 >0400A ENGINE 4045HT073-RE546630 4045HT073 >ST569457 - 1251 OIL FILLER NECK

KEY	PART NO.	PART NAME	QTY	REMARKS	
1	RE545569	FILLER CAP	1		
2	R136495	GASKET	1		
3	R532001	FILLER NECK	1		
4	RE67238	SCREW	1		
5	RE67239	SCREW	1		



1327\_RE515237\_PCD



**Suggest:**

**For more complete manuals. Please go to the home page.**

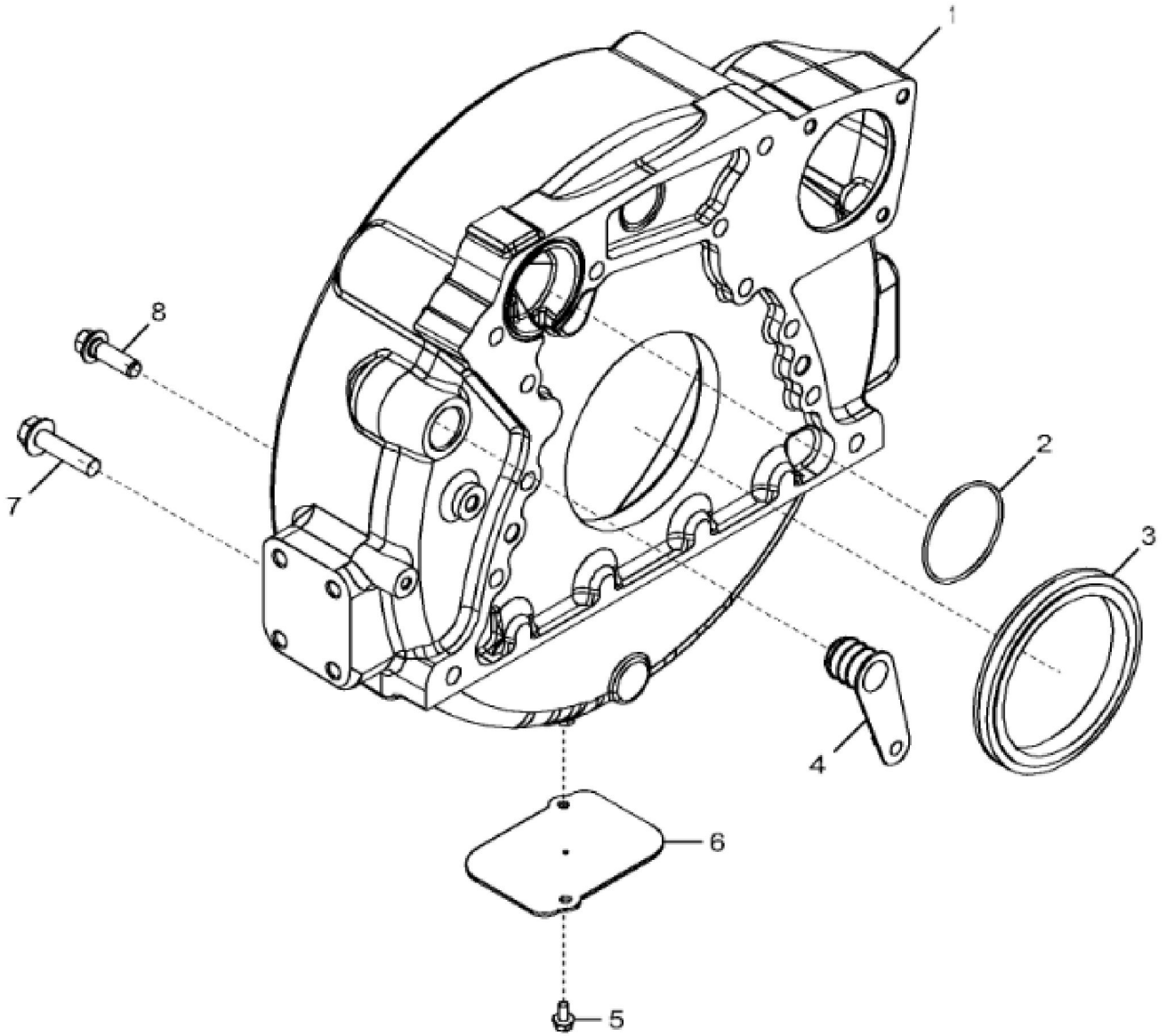
**<https://www.ebooklibonline.com>**

**If the above button click is invalid. Please download this document first, and then click the above link to download the complete manual.**

**Thank you so much for reading**

John Deere > Construction And Forestry >BACKHOE, LOADER >410K - BACKHOE, LOADER >410K Backhoe Loader (Engine 4045HT063, 4045HT073)(PIN: 1T0410KX\_\_E219607 - E277405) >04A ENGINE 4045HT073-RE546630 >0400A ENGINE 4045HT073-RE546630 4045HT073 >ST308624 - 1327 CRANKSHAFT PULLEY

KEY	PART NO.	PART NAME	QTY	REMARKS	
1	R503880	PULLEY	1	OD = 188 mm	
2	R515040	BUSHING	1	OD = 50 mm	
3	R516648	CAP SCREW	1	M20 X 70	



**<https://www.ebooklibonline.com>**

Hello dear friend!

Thank you very much for reading.

Enter the link into your browser.

The full manual is available for immediate download.

**<https://www.ebooklibonline.com>**