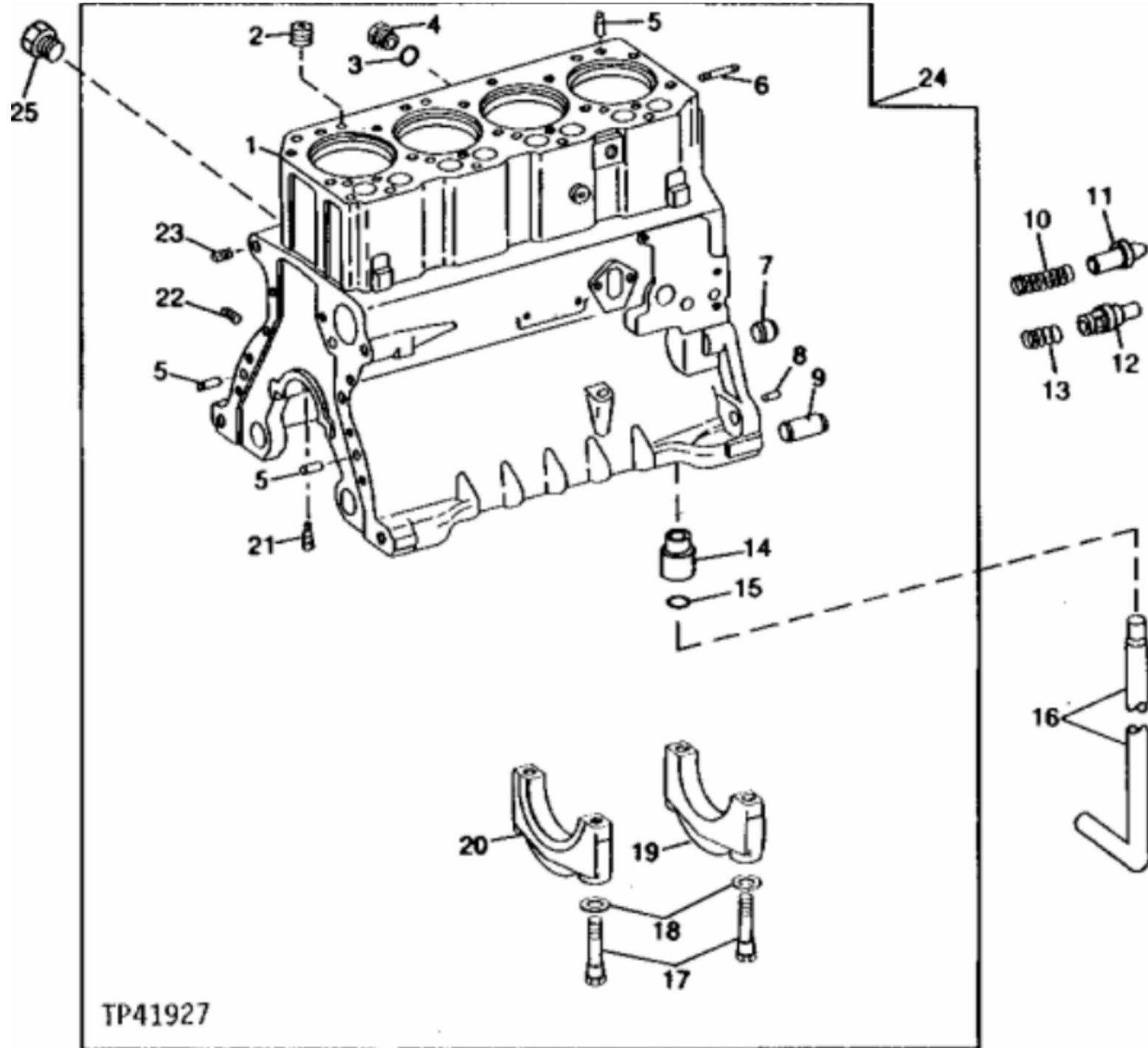


John Deere > Construction And Forestry >BACKHOE, LOADER >510D - BACKHOE, LOADER >410D, 510D Backhoe Loaders >04 ENGINE 4 >0404 CYLINDER BLOCK >ST311833 - CYLINDER BLOCK AND MAIN BEARING CAPS (- 362468)

KEY	PART NO.	PART NAME	QTY	410D	510D	REMARKS
1	R55233	PIPE PLUG	1	X	X	
2	R48685	DOWEL PIN	2	X	X	
3	R39741	DRAIN PLUG	1	X	X	(WITHOUT ENGINE COOLANT HEATER)
4	U13639	O-RING	1	X	X	(WITHOUT ENGINE COOLANT HEATER)
5	RE57836	PIPE PLUG	1	X	X	12.700 mm (1/2") (SUB FOR 15H561)
6	T25701	STUD	1	X	X	
6	R122226	STUD	2	X	X	(SUB FOR R122226)
7	T18891	PLUG	2	X	X	
8	R57160	BUSHING	6	X	X	
9	R26650	DOWEL PIN	2	X	X	
10	T23474	CAP SCREW	10	X	X	
11	T20168	WASHER	10	X	X	
12	R65215	BEARING CAP	4	X	X	
13	R79089	CAP	1	X	X	
14	R54802	ORIFICE	4	X	X	
15	R48685	DOWEL PIN	2	X	X	
16	CYLINDER BLOCK	1	X	X	
17	R104592	PIPE PLUG	5	X	X	
18	15H562	PIPE PLUG	1	X	X	1"
19	RE57836	PIPE PLUG	1	X	X	12.700 mm (1/2") (SUB FOR 15H624)(USE WITHOUT TURBOCHARGER)
20	RE31517	CYLINDER BLOCK	1	X	X	(MARKED R90170) (SUB RE50671) (ALSO ORDER R83169, T27658, R111135, R111137 AND R112867)



TP41927

<https://www.ebooklibonline.com>

Hello dear friend!

Thank you very much for reading.

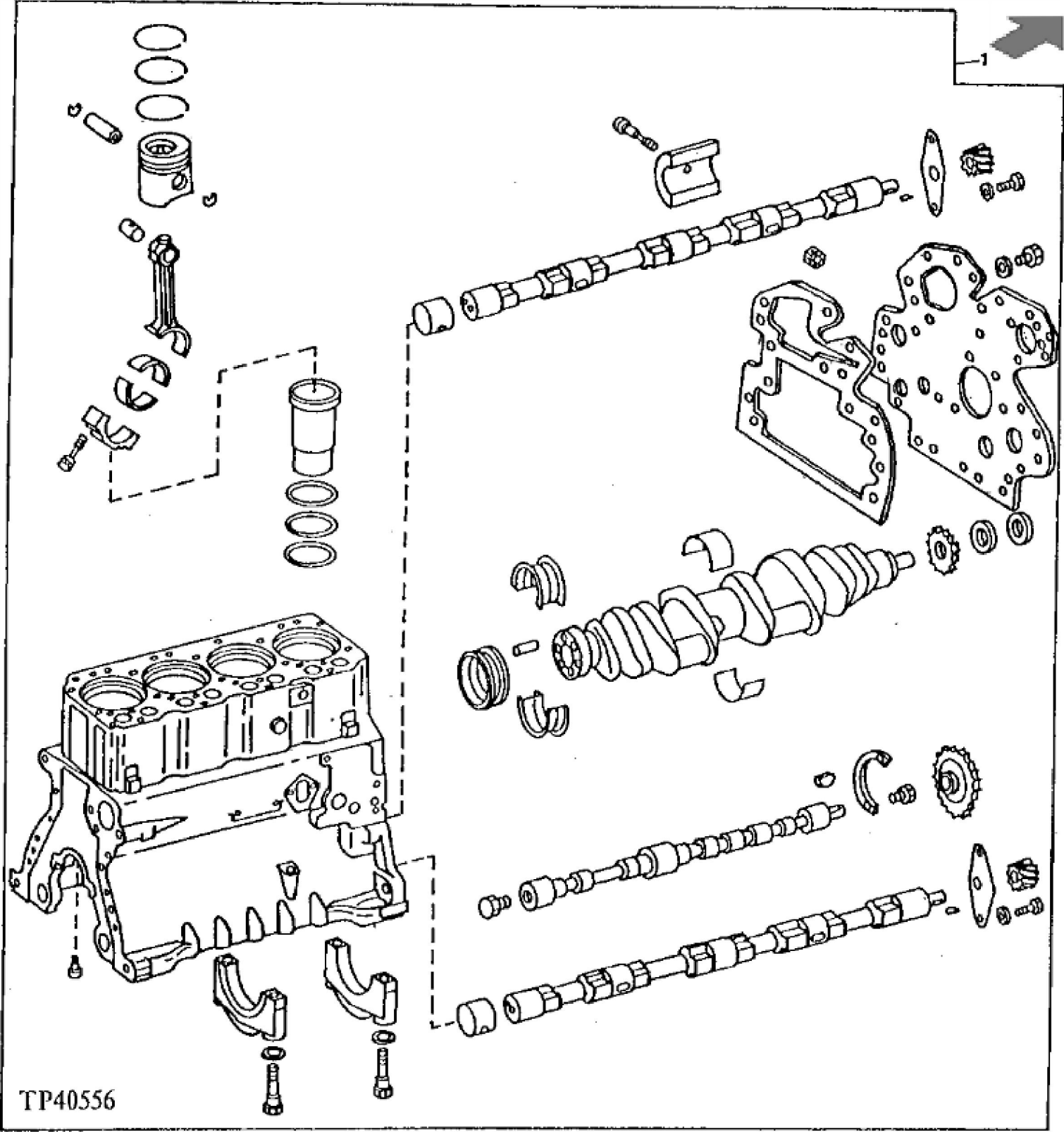
Enter the link into your browser.

The full manual is available for immediate download.

<https://www.ebooklibonline.com>

John Deere > Construction And Forestry > BACKHOE, LOADER > 510D - BACKHOE, LOADER > 410D, 510D Backhoe Loaders > 04 ENGINE 4 > 0404 CYLINDER BLOCK > ST311834 - CYLINDER BLOCK AND MAIN BEARING CAPS (362469 -)

KEY	PART NO.	PART NAME	QTY	410D	510D	REMARKS
1	CYLINDER BLOCK	1	X	X	
2	RE57836	PIPE PLUG	1	X	X	12.700 mm (1/2") (SUB FOR 15H561)(WITHOUT TURBOCHARGER)
3	U13639	O-RING	1	X	X	(WITHOUT ENGINE COOLANT HEATER)
4	R39741	DRAIN PLUG	1	X	X	(WITHOUT ENGINE COOLANT HEATER)
5	R48685	DOWEL PIN	2	X	X	
6	T25701	STUD	1	X	X	
6	R122226	STUD	2	X	X	(SUB FOR T33279)
7	R26493	BUSHING	1	X	X	
8	R26650	DOWEL PIN	2	X	X	
9	R57160	BUSHING	6	X	X	
10	T27658	SPRING	1	X	X	
11	R83169	VALVE	1	X	X	
12	R111135	VALVE	1	X	X	
13	R111137	SPRING	1	X	X	
14	R115390	BUSHING	1	X	X	
15	R97185	O-RING	1	X	X	
16	R112867	OIL TUBE	1	X	X	ENGINE OIL PUMP
17	T23474	CAP SCREW	10	X	X	
18	T20168	WASHER	10	X	X	
19	R65215	BEARING CAP	4	X	X	
20	R79089	CAP	1	X	X	
21	R54802	ORIFICE	4	X	X	
22	R104592	PIPE PLUG	5	X	X	
23	15H562	PIPE PLUG	1	X	X	1"
24	RE50671	CYLINDER BLOCK	1	X	X	(MARKED R108755 OR R124851) (ALSO ORDER R83169, T27658, R111135, R111137 AND R112867)
25	R55233	PIPE PLUG	1	X	X	
26	15H623	PIPE PLUG	AR	X	X	3/8"



TP40556



Suggest:

For more complete manuals. Please go to the home page.

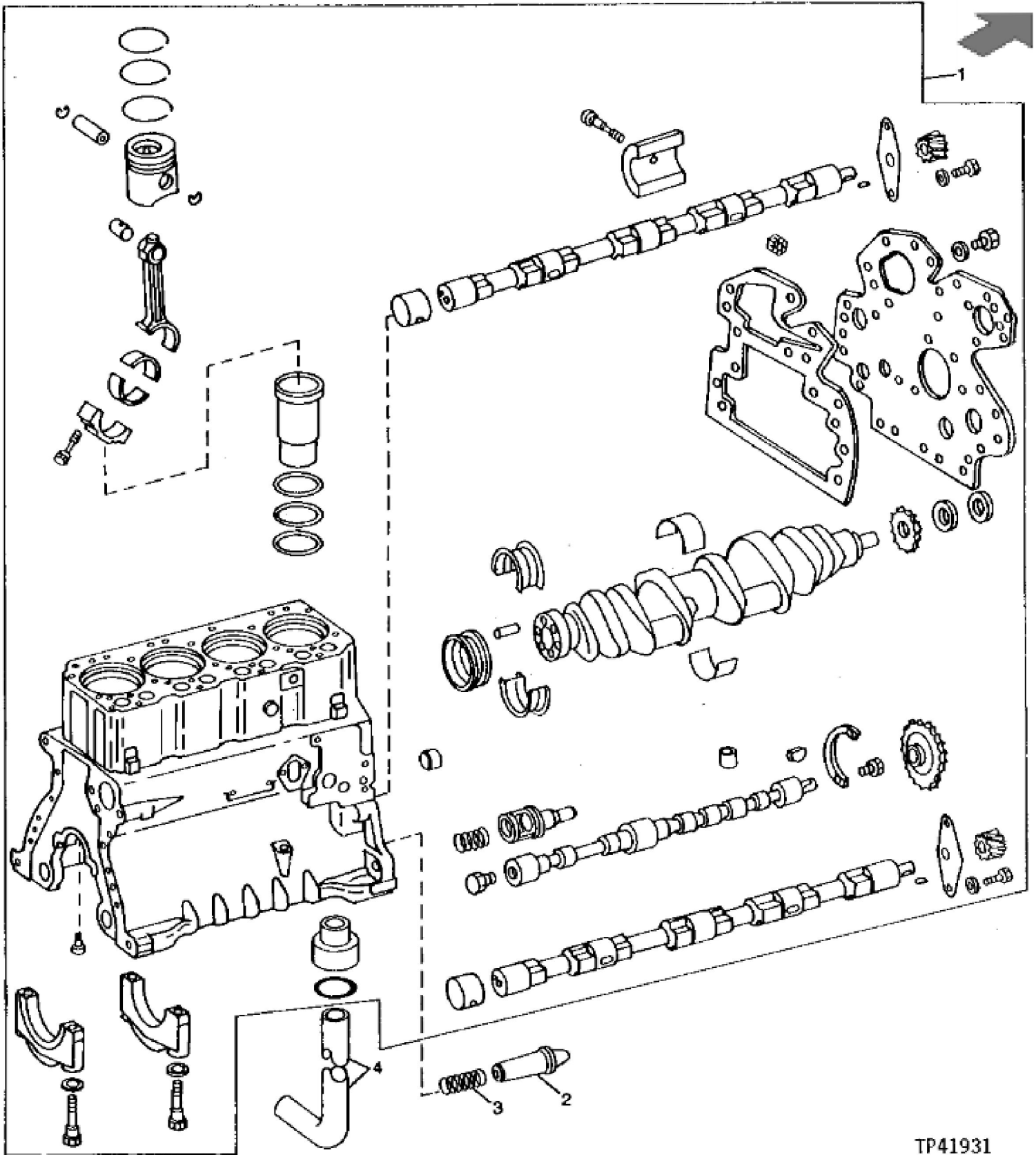
<https://www.ebooklibonline.com>

If the above button click is invalid. Please download this document first, and then click the above link to download the complete manual.

Thank you so much for reading

John Deere > Construction And Forestry >BACKHOE, LOADER >510D - BACKHOE, LOADER >410D, 510D Backhoe Loaders >04 ENGINE 4 >0404 CYLINDER BLOCK >ST311835 - ENGINE SHORT BLOCK (- 362468)

KEY	PART NO.	PART NAME	QTY	410D	510D	REMARKS
1	CYLINDER BLOCK	1	X		(MARKED R90170 OR R124851) (SUB RE57203) (ALSO ORDER R83169, T27658 AND R112867)
1	RE44279	SHORT BLOCK ASSEMBLY	1		X	(MARKED R90170) (SUB RE57204) (ALSO ORDER R83169, T27658 AND R112867)
1	SE501061	COMPLETE BLOCK ASSY REMAN	1	X	X	(4045TT010, 4045TT018-410D) (4045TT011, 4045TT019-510D)



TP41931

<https://www.ebooklibonline.com>

Hello dear friend!

Thank you very much for reading.

Enter the link into your browser.

The full manual is available for immediate download.

<https://www.ebooklibonline.com>