

**OMSJ13377 - 5-750, 5-754, 5-800, 5-804, 5-850, 5-854, 5-900 and 5-950  
Tractors Operator's Manual  
Recognize Safety Information**

---

**Recognize Safety Information**



T81389-UN: Safety-alert symbol

This is a safety-alert symbol. When you see this symbol on your machine or in this manual, be alert to the potential for personal injury.

Follow recommended precautions and safe operating practices.

**OMSJ13377 - 5-750, 5-754, 5-800, 5-804, 5-850, 5-854, 5-900 and 5-950  
Tractors Operator's Manual  
Understand Signal Words**

---

**Understand Signal Words**



TS187-19: Signal Words

A signal word—DANGER, WARNING, or CAUTION—is used with the safety-alert symbol. DANGER identifies the most serious hazards.

DANGER or WARNING safety signs are located near specific hazards. General precautions are listed on CAUTION safety signs. CAUTION also calls attention to safety messages in this manual.

# OMSJ13377 - 5-750, 5-754, 5-800, 5-804, 5-850, 5-854, 5-900 and 5-950 Tractors Operator's Manual Follow Safety Instructions

---

## Follow Safety Instructions



TS201-UN: Safety Messages

Carefully read all safety messages in this manual and on your machine safety signs. Keep safety signs in good condition. Replace missing or damaged safety signs. Be sure new equipment components and repair parts include the current safety signs. Replacement safety signs are available from your John Deere dealer.

There can be additional safety information contained on parts and components sourced from suppliers that is not reproduced in this operator's manual.

Learn how to operate the machine and how to use controls properly. Do not let anyone operate without instruction.

Keep your machine in proper working condition. Unauthorized modifications to the machine may impair the function and/or safety and affect machine life.

If you do not understand any part of this manual and need assistance, contact your John Deere dealer.

**<https://www.ebooklibonline.com>**

Hello dear friend!

Thank you very much for reading.

Enter the link into your browser.

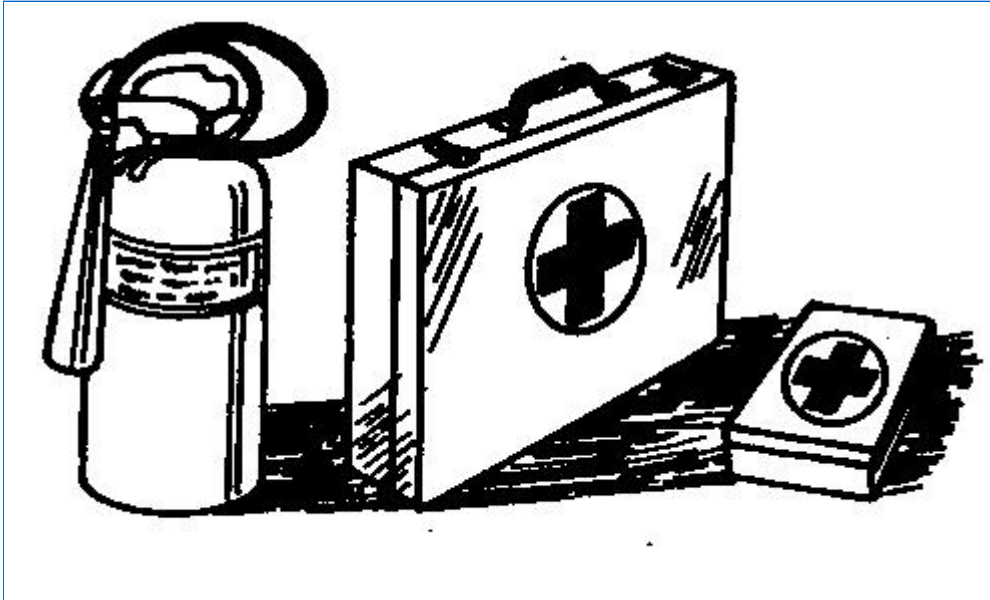
The full manual is available for immediate download.

**<https://www.ebooklibonline.com>**

**OMSJ13377 - 5-750, 5-754, 5-800, 5-804, 5-850, 5-854,5-900 and 5-950  
Tractors Operator's Manual  
Prepare for Emergencies**

---

**Prepare for Emergencies**



TS291-UN: First Aid Kit

Be prepared if a fire starts.

Keep a first aid kit and fire extinguisher handy.

Keep emergency numbers for doctors, ambulance service, hospital, and fire department near your telephone.

Wear Protective Clothing



TS206-UN: Protective Clothing

Wear close fitting clothing and safety equipment appropriate to the job.

Operating equipment safely requires the full attention of the operator. Do not wear radio or music headphones while operating machine.

**OMSJ13377 - 5-750, 5-754, 5-800, 5-804, 5-850, 5-854,5-900 and 5-950  
Tractors Operator's Manual  
Protect Against Noise**

---

**Protect Against Noise**



TS207-UN: Noise Exposure

Prolonged exposure to loud noise can cause impairment or loss of hearing.

Wear a suitable hearing protective device such as earmuffs or earplugs to protect against objectionable or uncomfortable loud noises.

**OMSJ13377 - 5-750, 5-754, 5-800, 5-804, 5-850, 5-854, 5-900 and 5-950  
Tractors Operator's Manual  
Handle Fuel Safely—Avoid Fires**

---

**Handle Fuel Safely—Avoid Fires**



TS202-UN: Avoid Fires

Handle fuel with care: it is highly flammable. Do not refuel the machine while smoking or when near open flame or sparks.

Always stop engine before refueling machine. Fill fuel tank outdoors.

Prevent fires by keeping machine clean of accumulated trash, grease, and debris. Always clean up spilled fuel.

**OMSJ13377 - 5-750, 5-754, 5-800, 5-804, 5-850, 5-854, 5-900 and 5-950  
Tractors Operator's Manual  
Handle Starting Fluid Safely**

---

**Handle Starting Fluid Safely**



TS1356-UN: Store Safely

Starting fluid is highly flammable.

Keep all sparks and flame away when using it. Keep starting fluid away from batteries and cables.

To prevent accidental discharge when storing the pressurized can, keep the cap on the container, and store in a cool, protected location.

Do not incinerate or puncture a starting fluid container.



**Suggest:**

**For more complete manuals. Please go to the home page.**

**<https://www.ebooklibonline.com>**

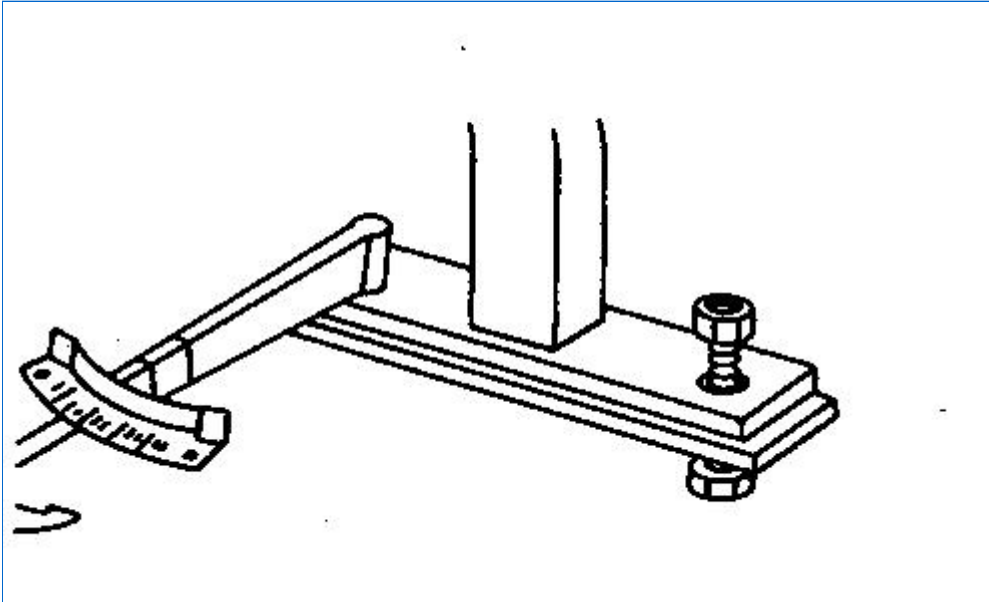
**If the above button click is invalid. Please download this document first, and then click the above link to download the complete manual.**

**Thank you so much for reading**

**OMSJ13377 - 5-750, 5-754, 5-800, 5-804, 5-850, 5-854, 5-900 and 5-950  
Tractors Operator's Manual  
Keep ROPS Installed Properly**

---

**Keep ROPS Installed Properly**



TS212-UN: Roll-Over Protective Structure

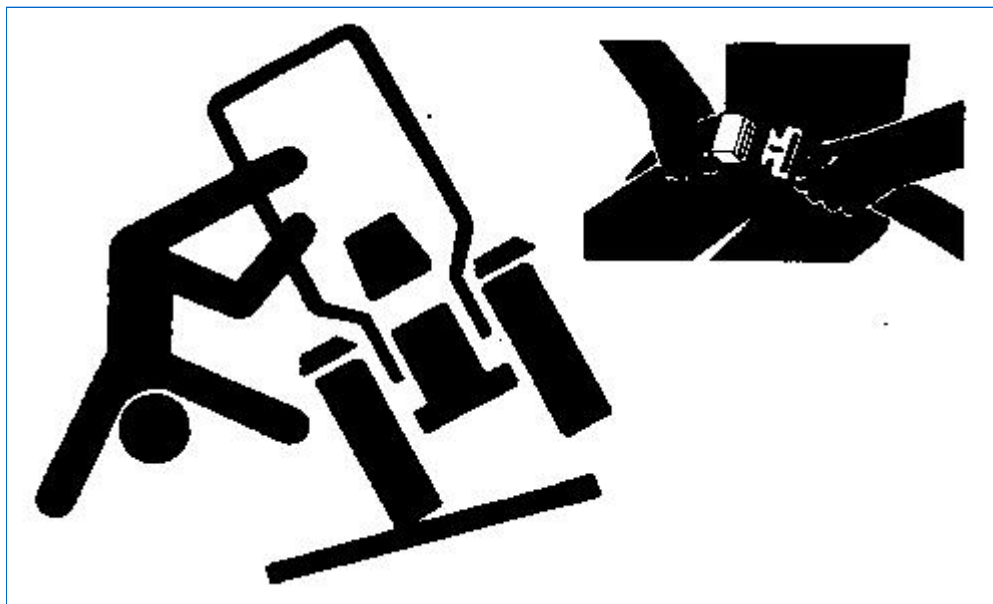
Make certain all parts are reinstalled correctly if the roll-over protective structure (ROPS) is loosened or removed for any reason. Tighten mounting bolts to proper torque.

The protection offered by ROPS will be impaired if ROPS is subjected to structural damage, is involved in an overturn incident, or is in any way altered by welding, bending, drilling, or cutting. A damaged ROPS should be replaced, not reused.

**OMSJ13377 - 5-750, 5-754, 5-800, 5-804, 5-850, 5-854,5-900 and 5-950  
Tractors Operator's Manual  
Use Foldable ROPS and Seat Belt Properly**

---

**Use Foldable ROPS and Seat Belt Properly**



TS205-UN: Fasten Your Seat Belt

If this tractor is equipped with a foldable ROPS, keep the ROPS in the fully extended and locked position. If the tractor is ever operated with ROPS folded (e.g., to enter a low building), drive with extreme caution. Do NOT use seat belt with the ROPS folded.

Return the ROPS to the raised, fully extended and locked position as soon as the tractor is operated under normal conditions. Always fasten your seat belt when the ROPS is fully extended and locked.

**<https://www.ebooklibonline.com>**

Hello dear friend!

Thank you very much for reading.

Enter the link into your browser.

The full manual is available for immediate download.

**<https://www.ebooklibonline.com>**