

TP58460

KEY	PART NO.	PART NAME	QTY	REMARKS	
1	H23125	PLUG	6		
2	R123574	NUT	6		
3	R123575	O-RING	6		
4	R121674	MEDALLION	1		
5	RE59801	PLUG	1	USE WITHRE69372, RE70400 AND RE502987	
6	RE502987	VALVE COVER	1	SUB FOR RE69372 OR RE70400; NOT FOR USE ON 7510	
7	RE503027	VALVE COVER	1		
8	R123543	GASKET	1		
8	RE522821	OIL COOLER	1		

<https://www.ebooklibonline.com>

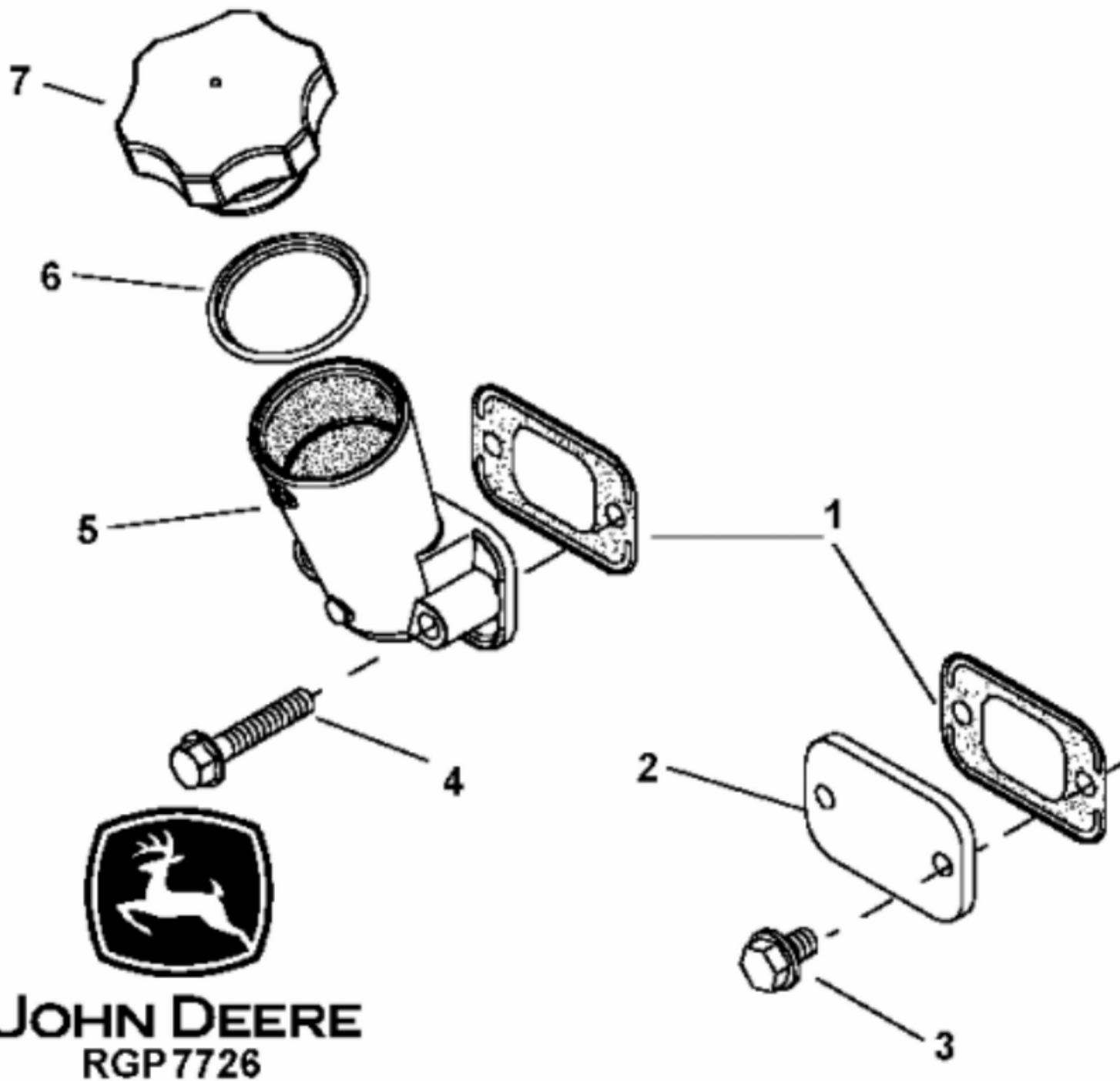
Hello dear friend!

Thank you very much for reading.

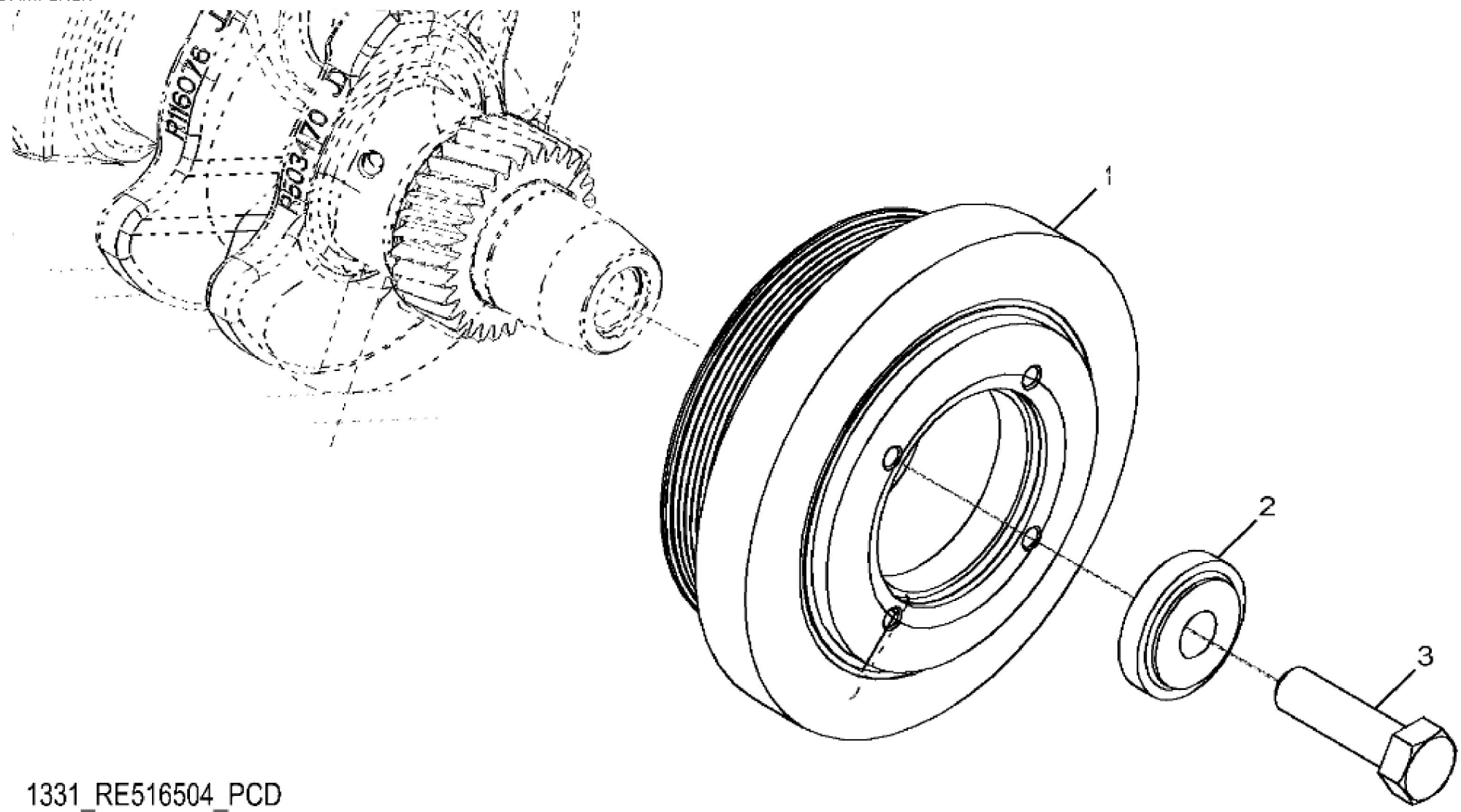
Enter the link into your browser.

The full manual is available for immediate download.

<https://www.ebooklibonline.com>



KEY	PART NO.	PART NAME	QTY	REMARKS	
1	R136495	GASKET	2		
2	R116296	COVER	1		
3	RE67238	SCREW	2	M8 X 20	
4	19M7979	SCREW	2	M8 X 55	
5	R123558	FILLER NECK	1		
6	R80135	GASKET	1		
7	R80136	FILLER CAP	1		



1331_RE516504_PCD



Suggest:

For more complete manuals. Please go to the home page.

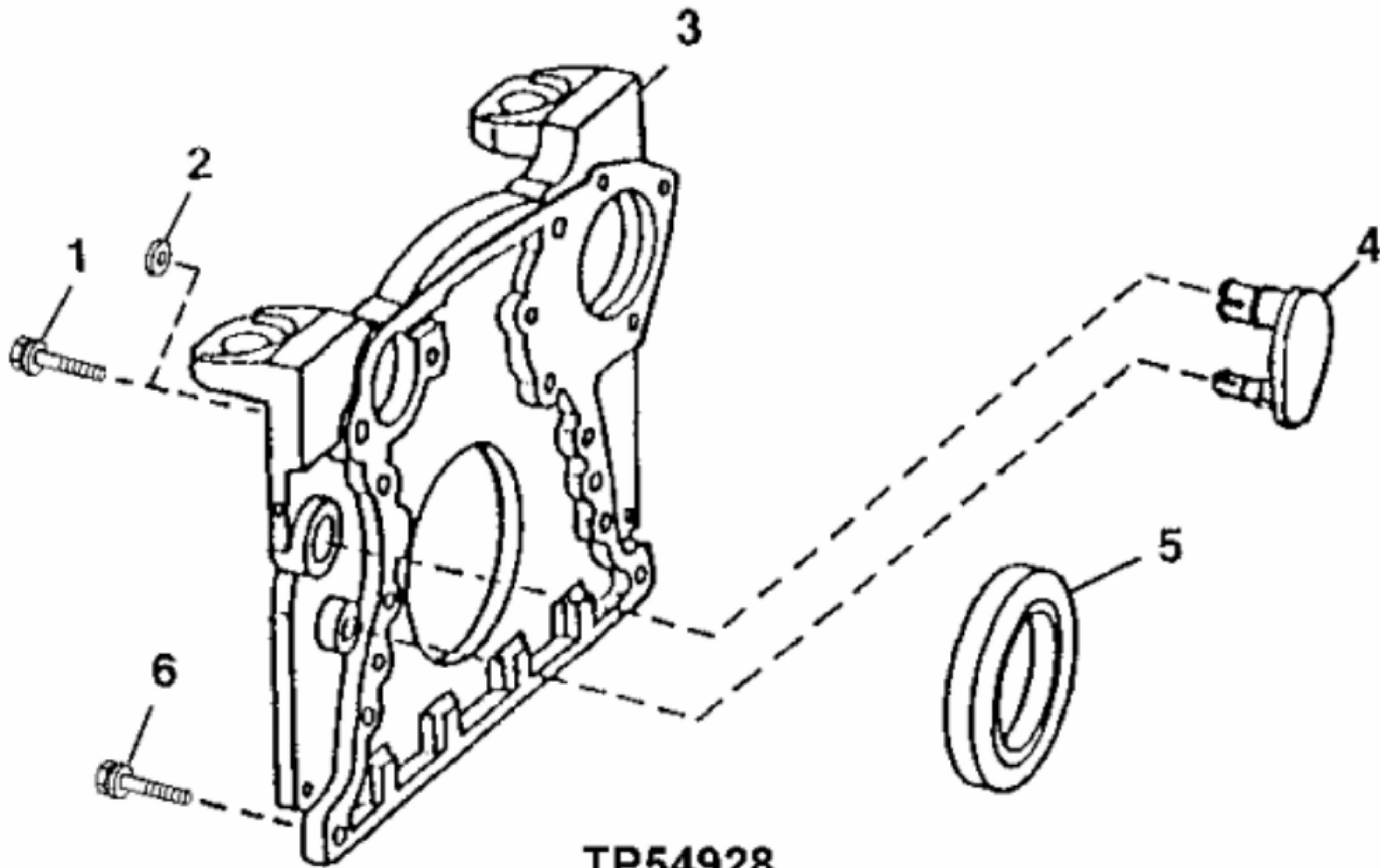
<https://www.ebooklibonline.com>

If the above button click is invalid. Please download this document first, and then click the above link to download the complete manual.

Thank you so much for reading

John Deere > Agriculture > TRACTOR > SE6920 - TRACTOR > SE6920 Tractor (Europe Edition) > 20 ENGINE 6068TL074-DD21494 - DD21761 > ST633630 - 1331 CRANKSHAFT PULLEY AND TORSIONAL DAMPENER

KEY	PART NO.	PART NAME	QTY	REMARKS	
1	RE516509	PULLEY WITH DAMPENER	1		
2	R517237	BUSHING	1		
3	R516648	CAP SCREW	1		



TP54928

<https://www.ebooklibonline.com>

Hello dear friend!

Thank you very much for reading.

Enter the link into your browser.

The full manual is available for immediate download.

<https://www.ebooklibonline.com>