

CDP45535B

KEY	PART NO.	PART NAME	QTY	Engine Serial No.	SE6510	SE6610	REMARKS
1	CYLINDER BLOCK	1		X		(MARKED R119565 OR R504850) (ORDER RE520381)
1	CYLINDER BLOCK	1			X	(MARKED R119565 OR R504850) (ORDER RE520384)
2	RE63674	VALVE	1		X	X	KIT
3	15H623	PIPE PLUG	1		X	X	3/8"
4	RE502422	FITTING	AR		X	X	(COMPOSITE MATERIAL) 1-5/8"-12 UN, (ORDER RE508185)
4	RE508185	FITTING	AR		X	X	(STEEL) 1-5/8"-12 UN, (SUB FOR RE502422 OR R39741)
5	R501377	RING	1		X	X	(USE WITH RE502422)
5	U13639	O-RING	1		X	X	37.465 X 2.997 mm, (USE WITH RE508185 AND R123616)
6	RE46685	FITTING PLUG	AR		X	X	M18 X 1.5
7	51M7043	O-RING	1		X	X	15.300 X 2.200 mm
8	R123616	PLUG	AR		X	X	1-5/8"-12 UN X M18 X1.5
9	R131182	ORIFICE	6		X	X	
10	RE56578	CAMSHAFT	1		X	X	(MARKED R135440 OR RE522314)
10	SE501625	CAMSHAFT REMAN	1		X	X	(REMAN FOR RE56578)
11	R132518	PLATE	1		X	X	
12	19M7867	SCREW	2		X	X	M8 X 25
13	R26493	BUSHING	1	____-663069	X	X	(FOR R83169 AND T27658)
14	R48685	DOWEL PIN	4		X	X	
15	R116466	PLUG	1		X	X	
16	R119874	BUSHING	1		X	X	(ALSO ORDER TY6333)
17	T18891	PLUG	2		X	X	OD = 16 mm
18	R26650	DOWEL PIN	2		X	X	9.525 X 25.400 mm
19	RE505501	BLEED VALVE	1	663070-____	X	X	
20	R97185	O-RING	1		X	X	15.469 X 3.531 mm
21	R115390	BUSHING	1		X	X	16.260 X 21.612 X 36 mm, (USE WITH R75892)
22	R75892	O-RING	1		X	X	14.884 X 4.064 mm, (USE WITH R115390)
23	T20168	WASHER	14		X	X	13.106 X 21.996 X 2.286 mm
24	T23474	CAP SCREW	14		X	X	12.700 X 95.250 mm

<https://www.ebooklibonline.com>

Hello dear friend!

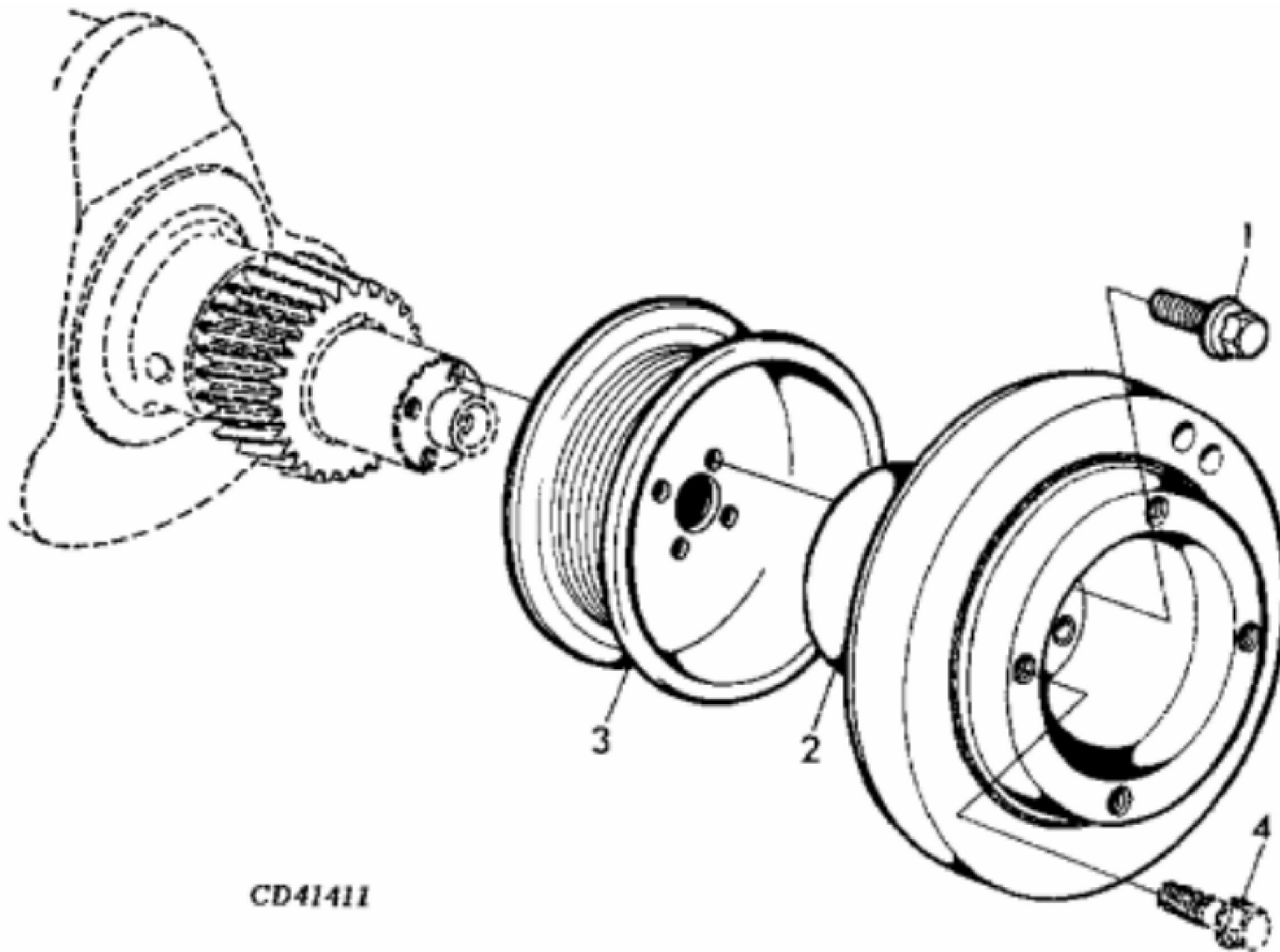
Thank you very much for reading.

Enter the link into your browser.

The full manual is available for immediate download.

<https://www.ebooklibonline.com>

KEY	PART NO.	PART NAME	QTY	Engine Serial No.	SE6510	SE6610	REMARKS
25	RE71255	PIPE PLUG	AR		X	X	(THREADS WITH PRE-APPLIED SEALANT) 1/8"- 27 NPT, (SUB FOR R104592 AND RE42713)
26	15H584	PIPE PLUG	AR		X	X	1/2"
27	RE507807	PIPE PLUG	AR		X	X	(THREADS WITH PRE-APPLIED SEALANT) 1/4"- 18 NPT, (SUB FOR R55233)
28	AT13740	DRAIN VALVE	1		X	X	1/4"-18 NPT
29	SCREW	AR		X	X	M12
30	SCREW	AR		X	X	M12



CD41411



Suggest:

For more complete manuals. Please go to the home page.

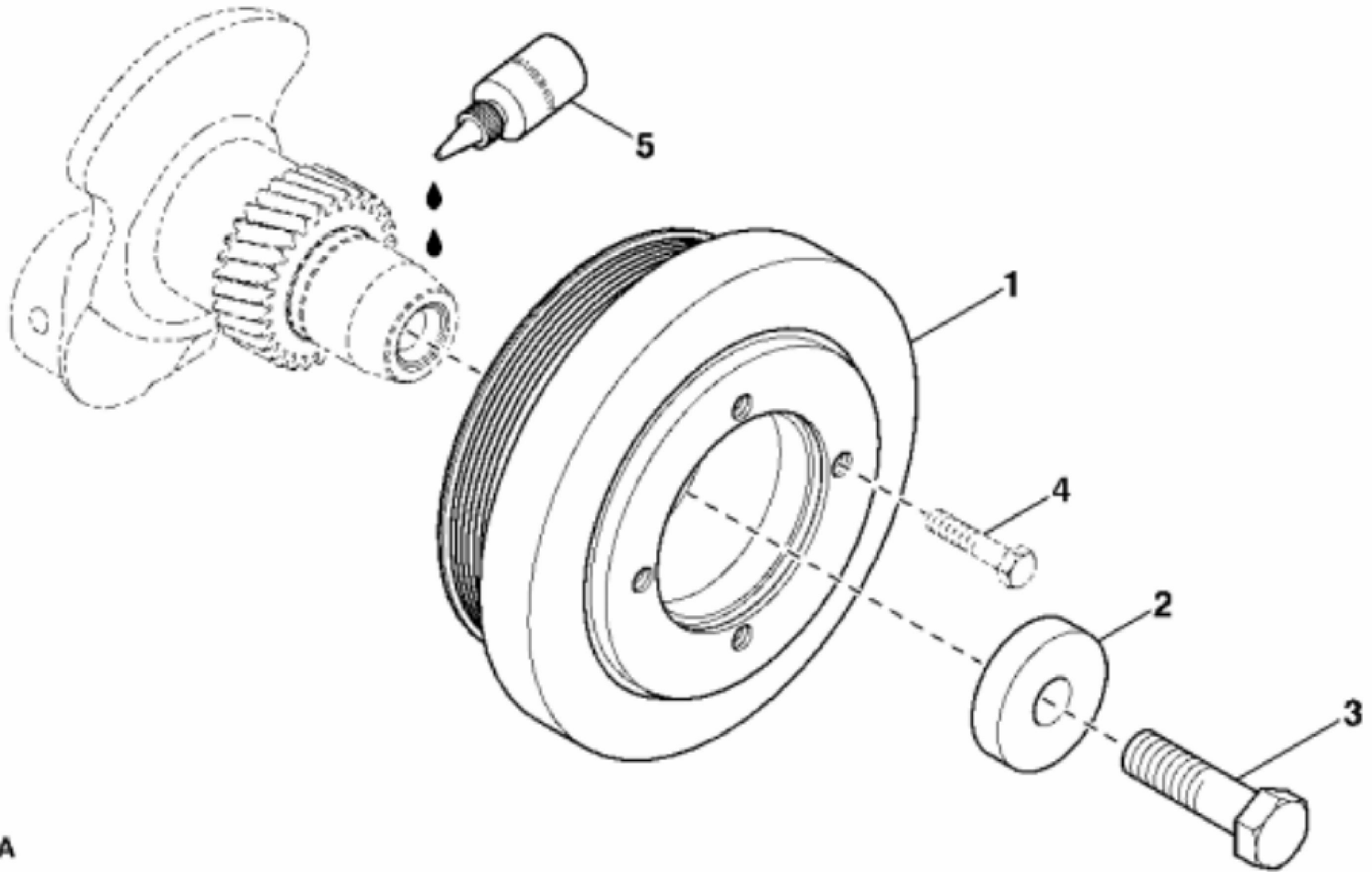
<https://www.ebooklibonline.com>

If the above button click is invalid. Please download this document first, and then click the above link to download the complete manual.

Thank you so much for reading

PULLEY AND TORSIONAL DAMPENER FOR CRANKSHAFT WITH STRAIGHT NOSE

KEY	PART NO.	PART NAME	QTY	REMARKS	
1	R121897	BOLT	4	M10 X 50, (10.9)	
2	RE59827	TORSIONAL DAMPER	1		
3	R133296	PULLEY	1		
4	CAP SCREW	AR	M14	



CDP45202A

<https://www.ebooklibonline.com>

Hello dear friend!

Thank you very much for reading.

Enter the link into your browser.

The full manual is available for immediate download.

<https://www.ebooklibonline.com>