

CDP46272B

John Deere > Agriculture >TRACTOR >SE6620 - TRACTOR >SE6320, SE6420, SE6520, SE6620 Tractors (Europe Edition) >20 ENGINE, SE6320 (4045TL073), SE6420 (4045HL070), SE6520 (6068DL070/TL073), SE6620 (6068TL072) >ST176935 - VALVE COVER

KEY	PART NO.	PART NAME	QTY	SE6320	SE6420	REMARKS
1	H23125	PLUG	4	X	X	
2	R123574	NUT	4	X	X	
3	R123575	O-RING	4	X	X	
4	VALVE COVER	1	X	X	(MARKED R501311 OR R519779) (ORDER RE70401, RE59801 AND R123542)
5	R524480	GASKET	1	X	X	(SUB FOR R123542)
5	RE520539	GASKET KIT	AR	X	X	(SUITABLE FOR HIGH TEMPERATURE) (INCLUDES INSTRUCTIONS)
6	R521401	MEDALLION	1	X	X	(SUB FOR R116324)

<https://www.ebooklibonline.com>

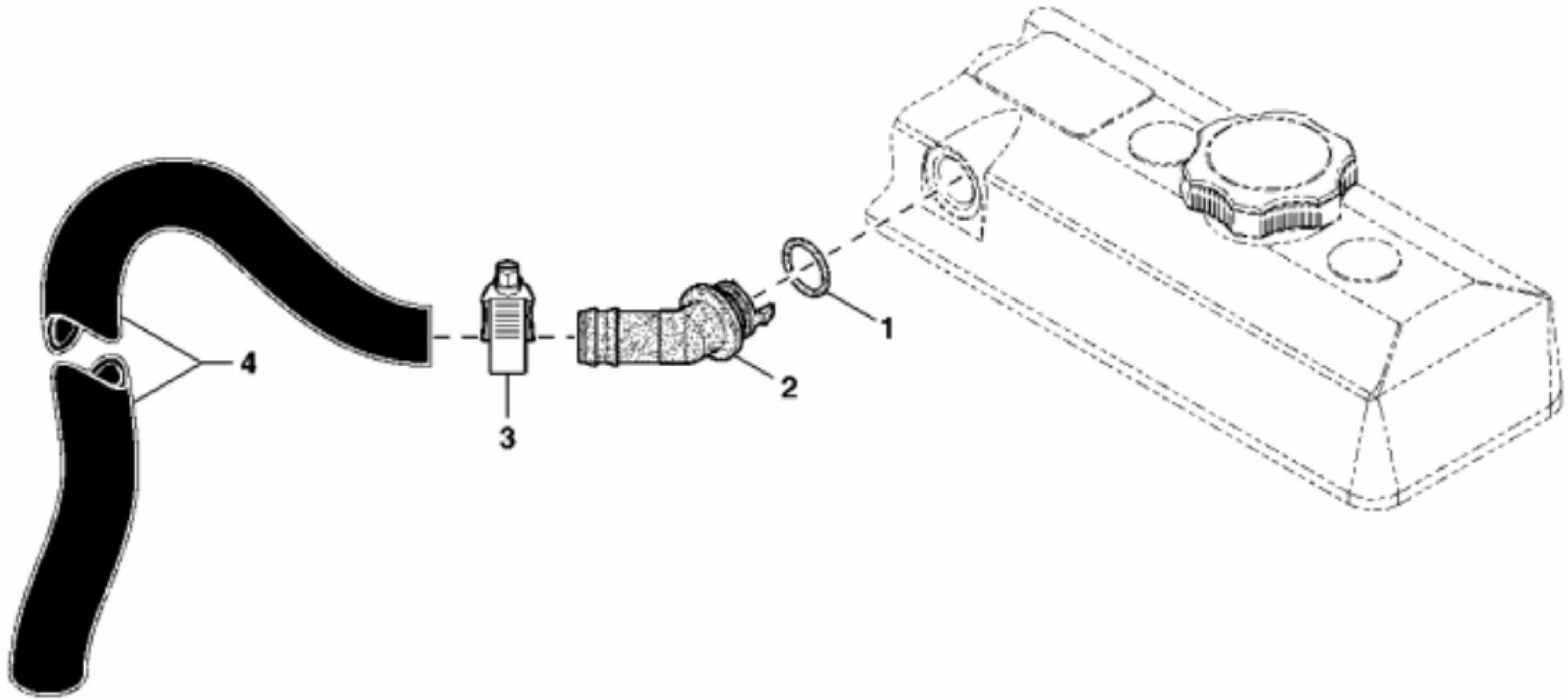
Hello dear friend!

Thank you very much for reading.

Enter the link into your browser.

The full manual is available for immediate download.

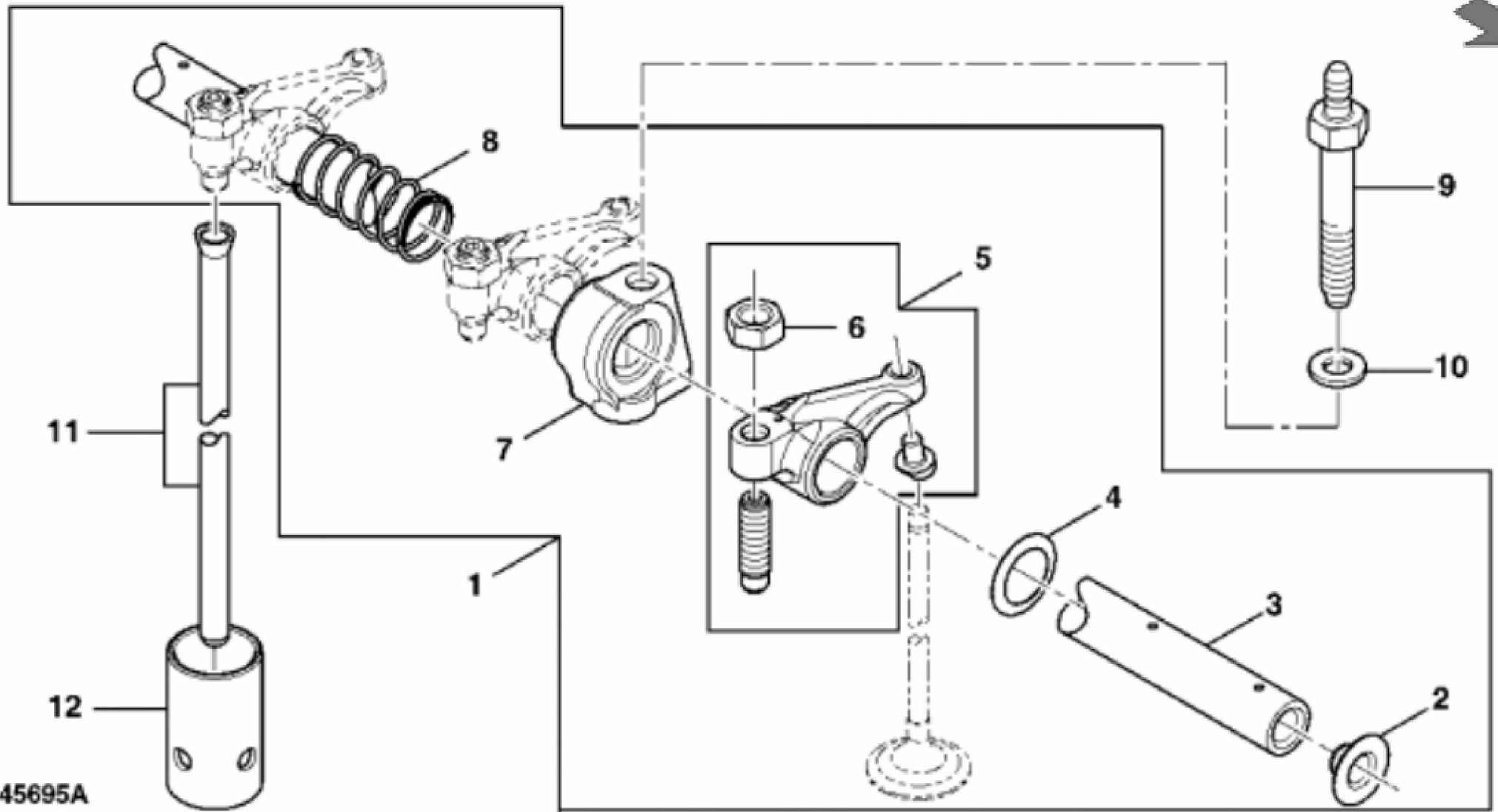
<https://www.ebooklibonline.com>



CDP46382

John Deere > Agriculture > TRACTOR > SE6620 - TRACTOR > SE6320, SE6420, SE6520, SE6620 Tractors (Europe Edition) > 20 ENGINE, SE6320 (4045TL073), SE6420 (4045HL070), SE6520 (6068DL070/TL073), SE6620 (6068TL072) > ST176937 - BREATHER

KEY	PART NO.	PART NAME	QTY	SE6320	SE6420	REMARKS	
1	R72328	O-RING	1	X	X	18.720 X 2.616 mm	
2	R123586	ELBOW FITTING	1	X	X	135°	
3	TY22466	CLAMP	1	X	X		
4	R122401	TUBE	1	X	X	(CUT TO LENGTH) LGTH = 1290 mm	



CDP45695A



Suggest:

For more complete manuals. Please go to the home page.

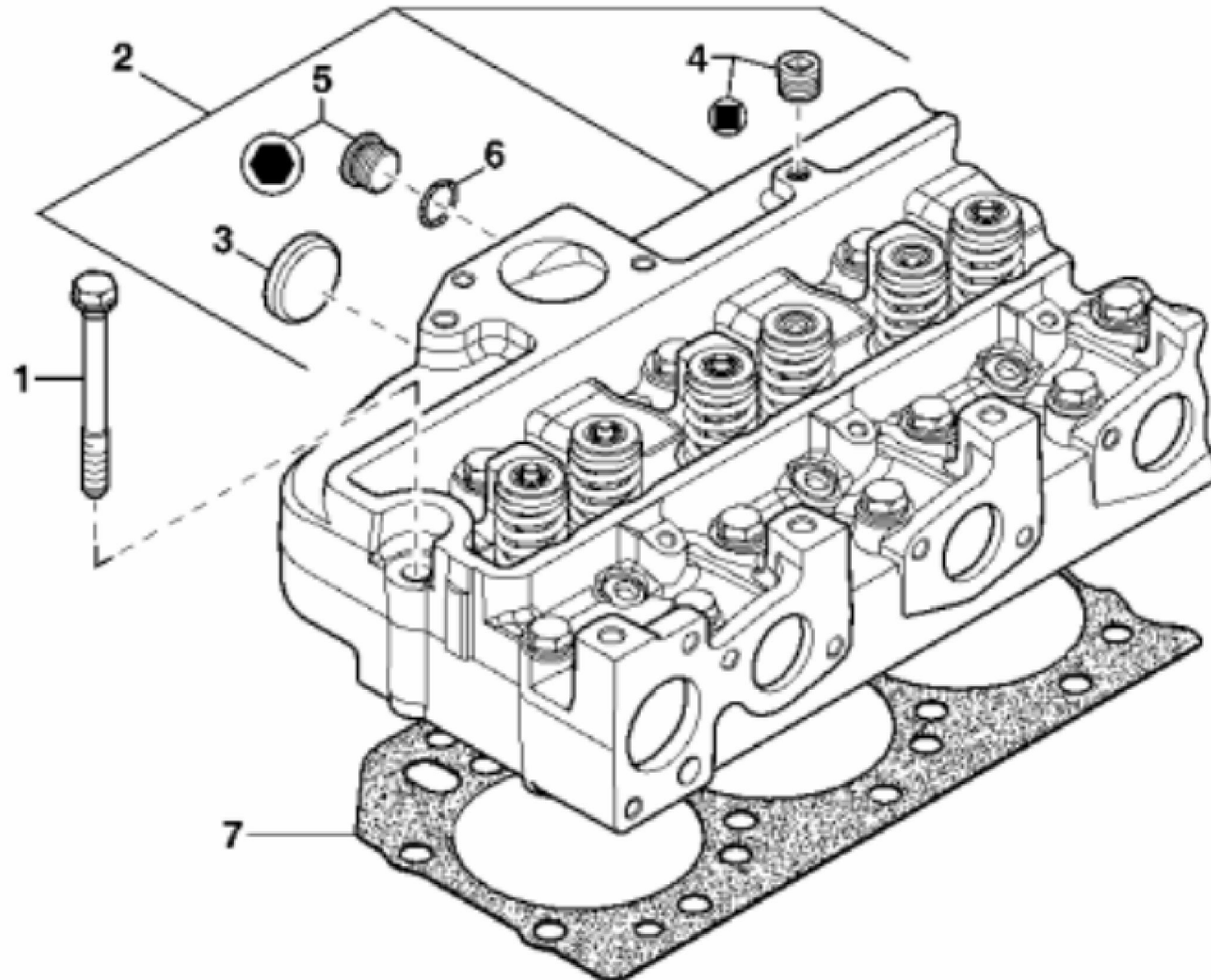
<https://www.ebooklibonline.com>

If the above button click is invalid. Please download this document first, and then click the above link to download the complete manual.

Thank you so much for reading

John Deere > Agriculture > TRACTOR > SE6620 - TRACTOR > SE6320, SE6420, SE6520, SE6620 Tractors (Europe Edition) > 20 ENGINE, SE6320 (4045TL073), SE6420 (4045HL070), SE6520 (6068DL070/TL073), SE6620 (6068TL072) > ST176938 - ROCKER ARM / SHAFT / TAPPET / PUSH ROD

KEY	PART NO.	PART NAME	QTY	SE6320	SE6420	REMARKS
1	RE519736	ROCKER ARM SHAFT	1	X	X	
2	R54565	PLUG	2	X	X	
3	R123513	ROCKER ARM SHAFT	1	X	X	
4	T20316	WASHER	2	X	X	20.650 X 29.460 X 0.500 mm
5	RE508317	ROCKER ARM	8	X	X	(SUB FOR RE68695)
6	14M7148	NUT	1	X	X	M10
7	R123161	SUPPORT	4	X	X	
8	T20314	SPRING	3	X	X	
9	R123271	STUD	4	X	X	
10	24M7346	WASHER	4	X	X	11 X 20 X 2 mm
11	R107731	PUSH ROD	8	X	X	LGTH = 265 mm, (10.43")
12	R123565	CAM FOLLOWER	8	X	X	



CDP46151A



<https://www.ebooklibonline.com>

Hello dear friend!

Thank you very much for reading.

Enter the link into your browser.

The full manual is available for immediate download.

<https://www.ebooklibonline.com>