

CDP46272B

John Deere > Agriculture > TRACTOR > SE6220 - TRACTOR > SE6020, SE6120, SE6220 Tractors (Europe Edition) > 20 ENGINE, SE6 (4045DL070), SE6120 (4045TL070), SE6220 (4045TL071) > ST172404 - VALVE COVER

KEY	PART NO.	PART NAME	QTY	REMARKS
1	H23125	PLUG	4	
2	R123574	NUT	4	
3	R123575	O-RING	4	
4	.....	VALVE COVER	1	(MARKED R501311 OR R519779) (ORDER RE70401, RE59801 AND R123542)
5	R524480	GASKET	1	(SUB FOR R123542)
5	RE520539	GASKET KIT	AR	(SUITABLE FOR HIGH TEMPERATURE) (INCLUDES INSTRUCTIONS)
6	R521401	MEDALLION	1	(SUB FOR R116324)

**<https://www.ebooklibonline.com>**

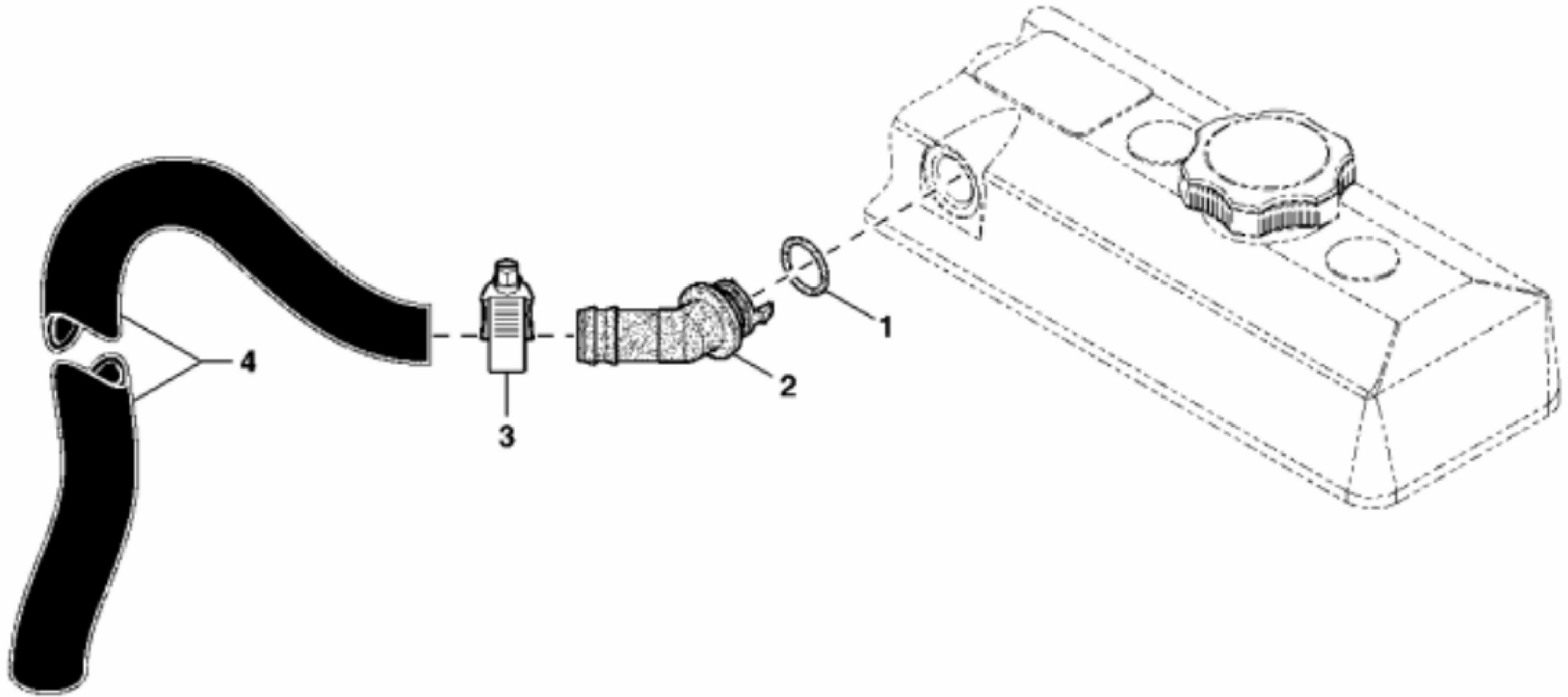
Hello dear friend!

Thank you very much for reading.

Enter the link into your browser.

The full manual is available for immediate download.

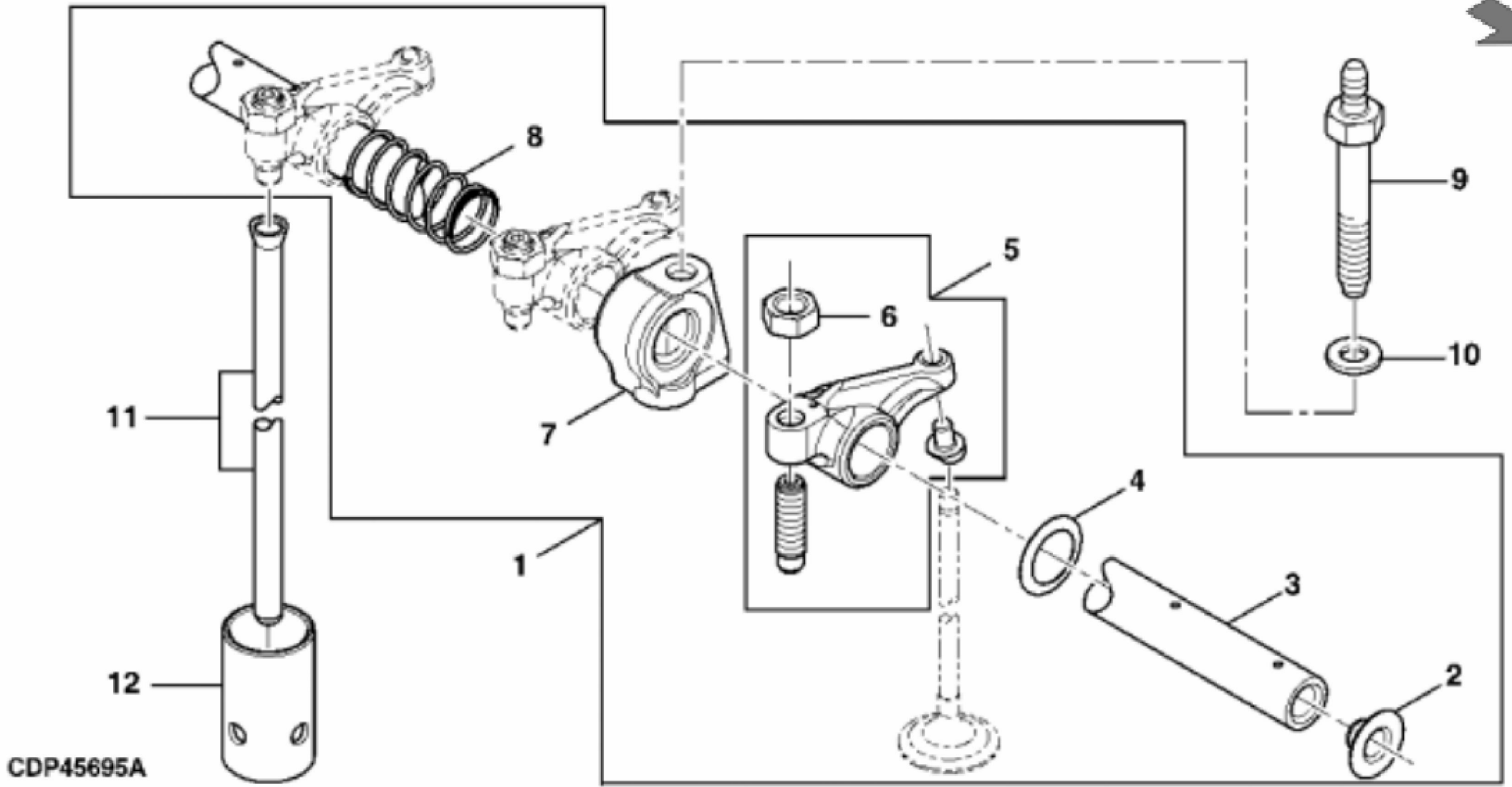
**<https://www.ebooklibonline.com>**



CDP46382

John Deere > Agriculture > TRACTOR > SE6220 - TRACTOR > SE6020, SE6120, SE6220 Tractors (Europe Edition) > 20 ENGINE, SE6 (4045DL070), SE6120 (4045TL070), SE6220 (4045TL071) > ST172406 - BREATHER

KEY	PART NO.	PART NAME	QTY	REMARKS	
1	R72328	O-RING	1	18.720 X 2.616 mm	
2	R123586	ELBOW FITTING	1	135°	
3	TY22466	CLAMP	1		
4	R122401	TUBE	1	(CUT TO LENGTH) LGTH = 1290 mm	



CDP45695A



**Suggest:**

**For more complete manuals. Please go to the home page.**

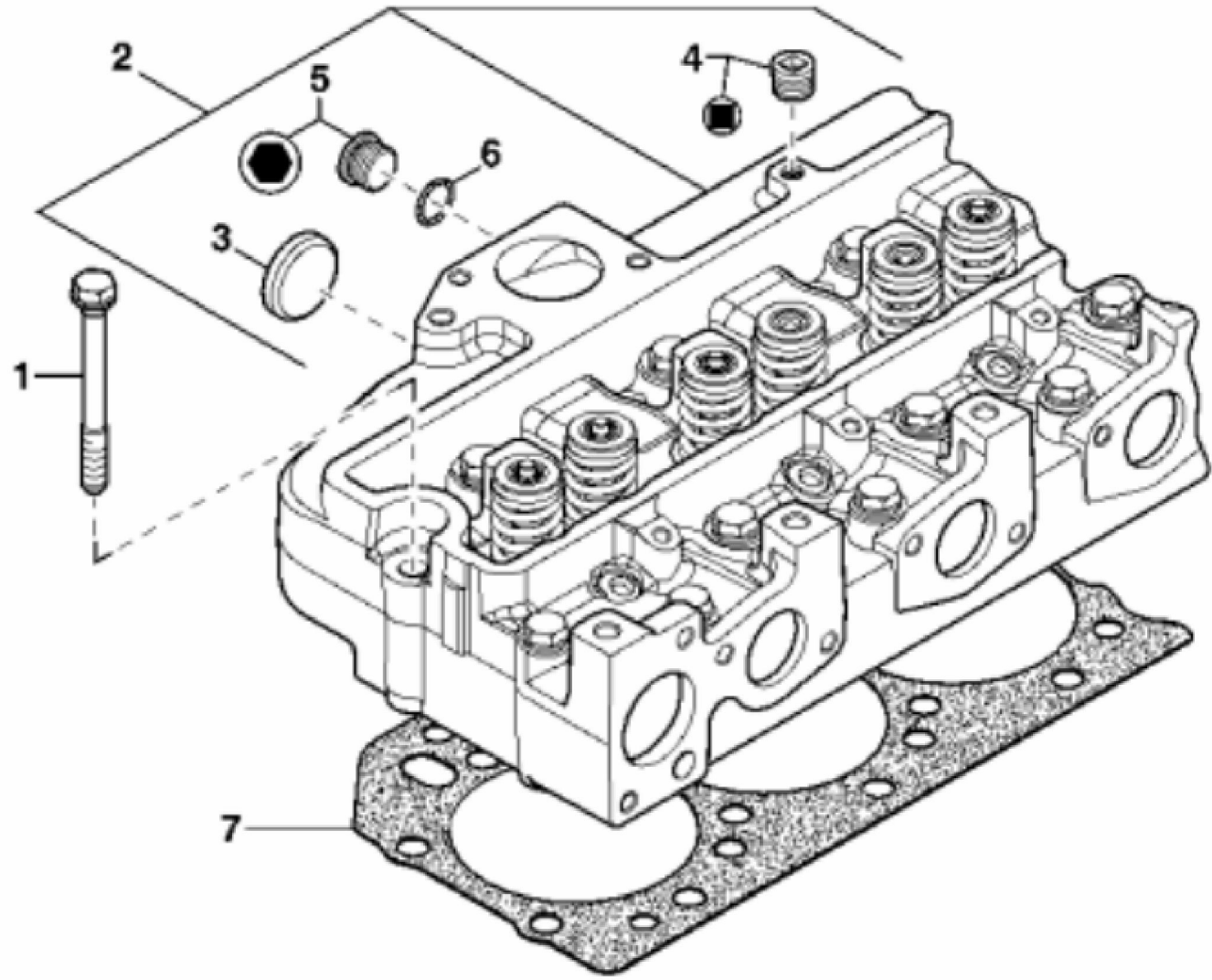
**<https://www.ebooklibonline.com>**

**If the above button click is invalid. Please download this document first, and then click the above link to download the complete manual.**

**Thank you so much for reading**

ROCKER ARM / SHAFT / TAPPET / PUSH ROD

KEY	PART NO.	PART NAME	QTY	REMARKS
1	RE519736	ROCKER ARM SHAFT	1	
2	R54565	PLUG	2	
3	R123513	ROCKER ARM SHAFT	1	
4	T20316	WASHER	2	20.650 X 29.460 X 0.500 mm
5	RE508317	ROCKER ARM	8	(SUB FOR RE68695)
6	14M7148	NUT	1	M10
7	R123161	SUPPORT	4	
8	T20314	SPRING	3	
9	R123271	STUD	4	
10	24M7346	WASHER	4	11 X 20 X 2 mm
11	R107731	PUSH ROD	8	LGTH = 265 mm, (10.43")
12	R123565	CAM FOLLOWER	8	



CDP46151A

**<https://www.ebooklibonline.com>**

Hello dear friend!

Thank you very much for reading.

Enter the link into your browser.

The full manual is available for immediate download.

**<https://www.ebooklibonline.com>**