

CDP46274B

KEY	PART NO.	PART NAME	QTY	Engine Serial No.	ALL	REMARKS	
1	H23125	PLUG	4	____-550948	X		
2	R123574	NUT	4	____-550948	X	M8	
3	R123575	O-RING	4	____-550948	X	7.595 X 2.616 mm	
4	RE70401	VALVE COVER	1	____-550948	X	(MARKED R135361 OR R519777)	
5	R524480	GASKET	1	____-550948	X	(SUB FOR R123542)	
5	RE520539	GASKET KIT	AR	____-550948	X	(SUITABLE FOR HIGH TEMPERATURE) (INCLUDES INSTRUCTIONS)	
6	RE59801	PLUG	1	____-550948	X		
7	R521401	MEDALLION	1	____-550948	X	(SUB FOR R116324)	

**<https://www.ebooklibonline.com>**

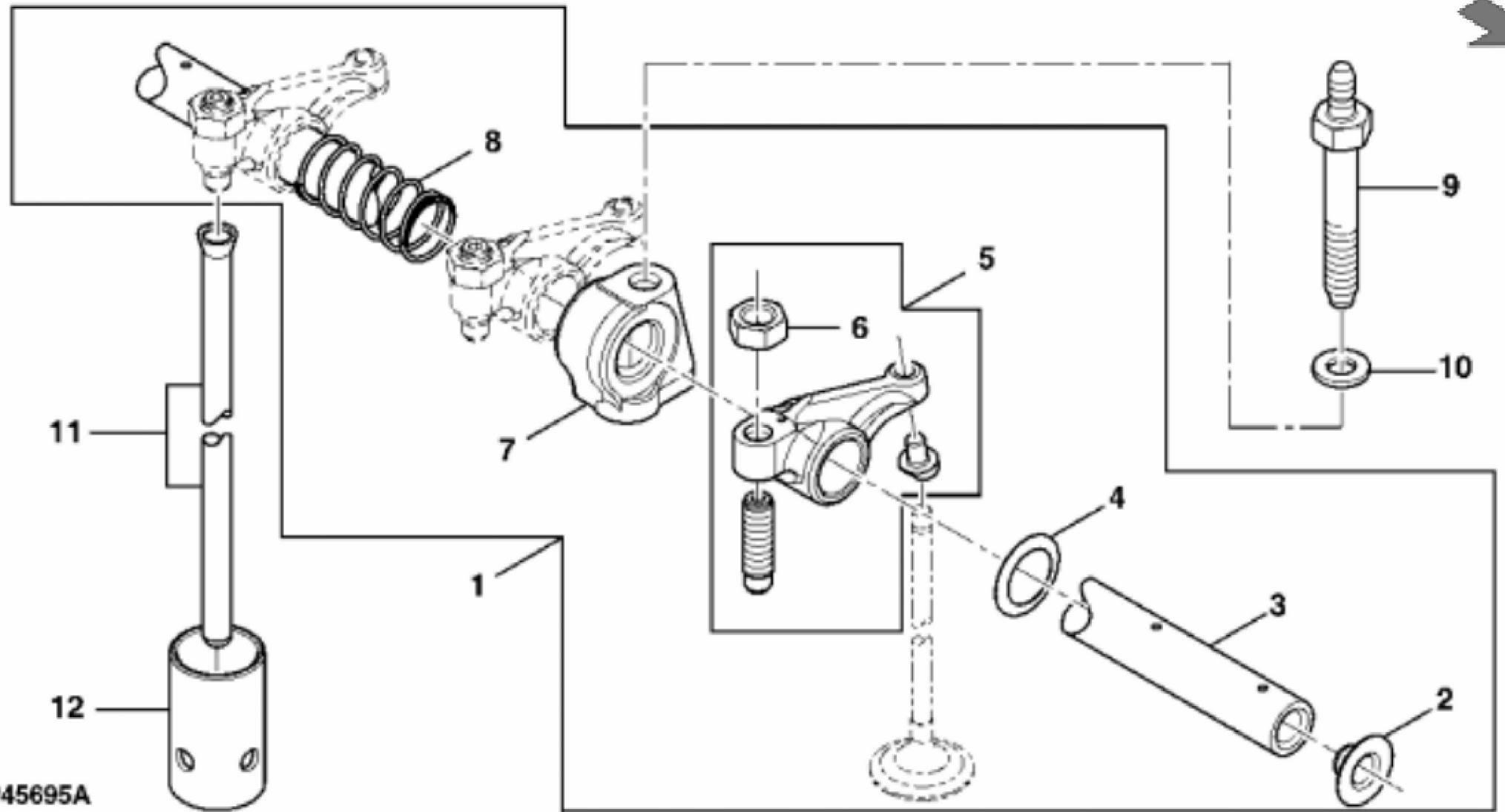
Hello dear friend!

Thank you very much for reading.

Enter the link into your browser.

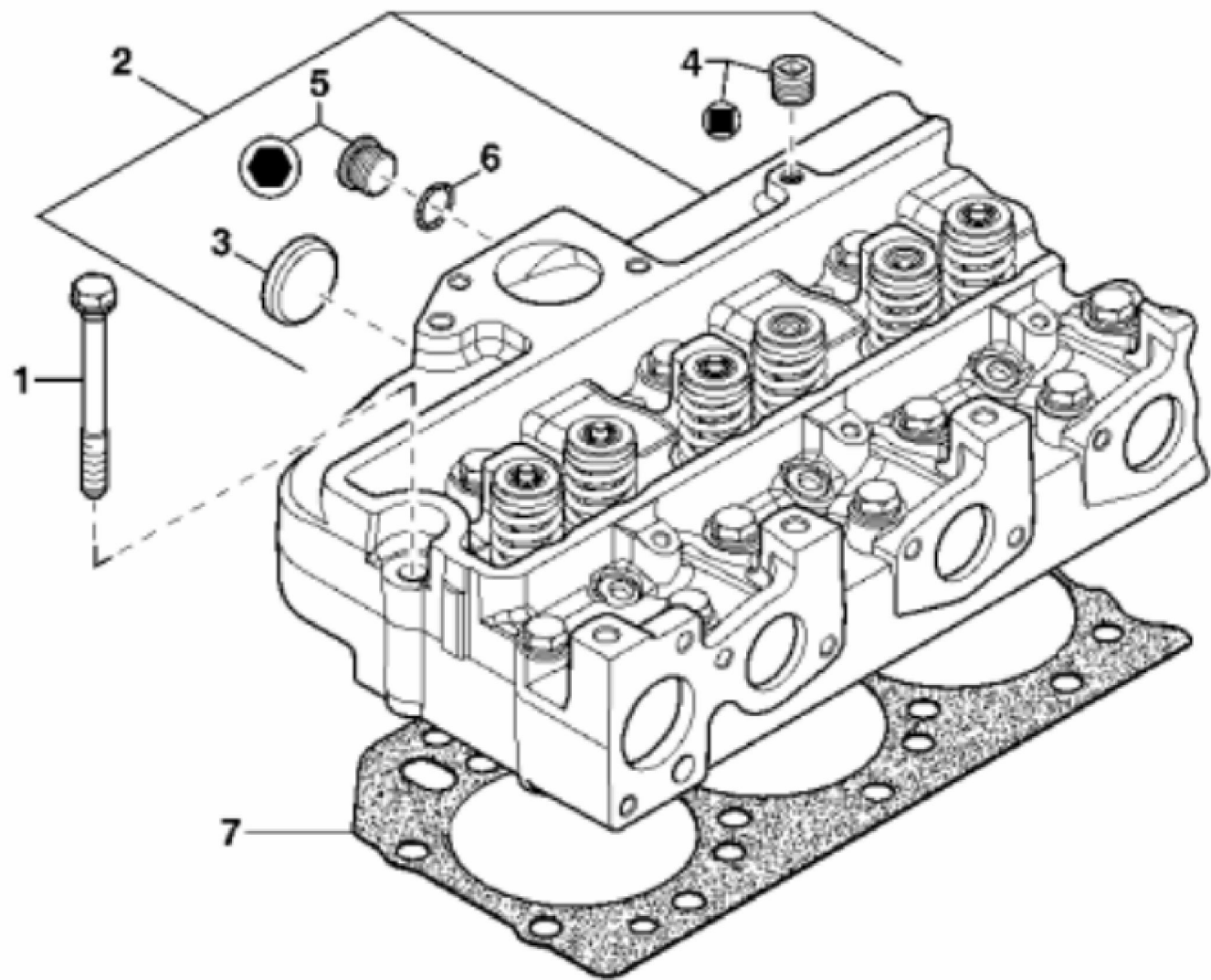
The full manual is available for immediate download.

**<https://www.ebooklibonline.com>**



CDP45695A

KEY	PART NO.	PART NAME	QTY	ALL	REMARKS	
1	RE519736	ROCKER ARM SHAFT	1	X		
2	R54565	PLUG	2	X		
3	R123513	ROCKER ARM SHAFT	1	X		
4	T20316	WASHER	2	X	20.650 X 29.460 X 0.500 mm	
5	RE508317	ROCKER ARM	8	X	(SUB FOR RE68695)	
6	14M7148	NUT	1	X	M10	
7	R123161	SUPPORT	4	X		
8	T20314	SPRING	3	X		
9	R123271	STUD	4	X		
10	24M7346	WASHER	4	X	11 X 20 X 2 mm, (SUB FOR R42729, THIS APPLICATION)	
11	R107731	PUSH ROD	8	X	LGTH = 265 mm, (10.43")	
12	R123565	CAM FOLLOWER	8	X		



CDP46151A



**Suggest:**

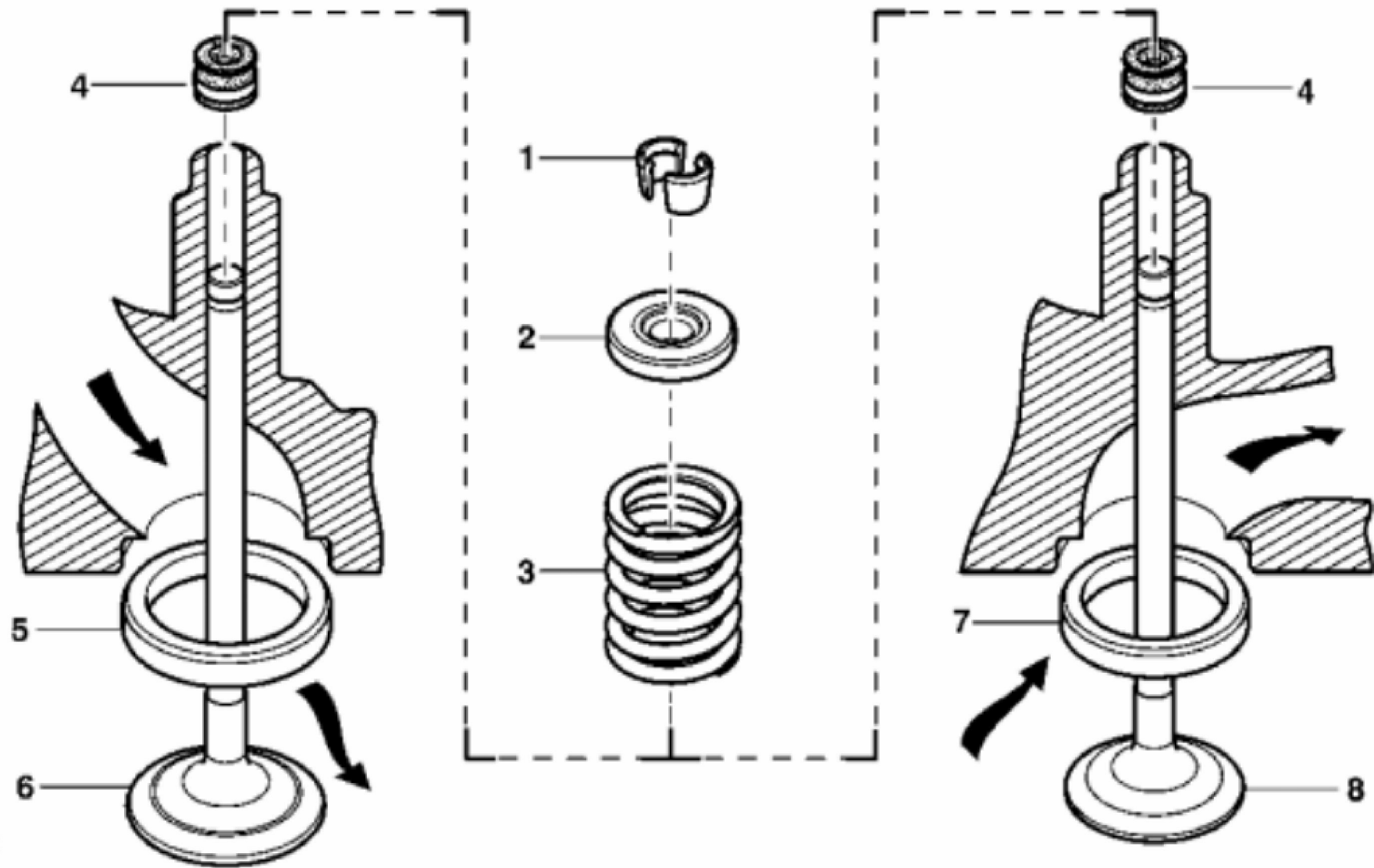
**For more complete manuals. Please go to the home page.**

**<https://www.ebooklibonline.com>**

**If the above button click is invalid. Please download this document first, and then click the above link to download the complete manual.**

**Thank you so much for reading**

KEY	PART NO.	PART NAME	QTY	ALL	REMARKS	
1	R85363	CAP SCREW	18	X		
2	RE57234	CYLINDER HEAD	1	X	ASSY, (MARKED R121402)	
2	SE501579	CYLINDER HEAD REMAN	1	X	(MARKED R121402) (REMAN FOR RE57234)	
3	CD16284	PLUG	1	X	OD = 32.6 mm, REAR	
3	R43409	PLUG	2	X	OD = 43.3 mm	
4	RE71255	PIPE PLUG	AR	X	(THREADS WITH PRE-APPLIED SEALANT) 1/8"-27 NPT, (SUB FOR R104592 AND RE42713)	
5	T58477	FITTING PLUG	1	X	7/8"-14 UNF, (ALSO ORDER R26906)	
6	R26906	O-RING	1	X	(SUB FOR TY9371, THIS APPLICATION) (T43513, TY9374, TY9375)	
7	R116515	ENGINE CYLINDER HEAD GASKET	1	X		



CDP46152

**<https://www.ebooklibonline.com>**

Hello dear friend!

Thank you very much for reading.

Enter the link into your browser.

The full manual is available for immediate download.

**<https://www.ebooklibonline.com>**