

RGP2873

KEY	PART NO.	PART NAME	QTY	Engine Serial No.	REMARKS
1	R495R	O-RING	1		
2	R50387	LINE	1	288236-_____	
3	AR34240	COVER	1		
4	AR103811	SCREW WITH WASHER	6		(SUB FOR AR27702 OR AR45530)
5	R49865	GASKET	1		(SUB FOR R26745 OR R32592)
6	AR21839	CLAMP	2	288236-_____	
7	A5203R	HOSE	1	_____-288235	22.2 MM X 76.2 MM (7/8" X 3")
7	R50389	HOSE	1	288236-_____	19.0 MM X 609.5 MM (3/4" X 24")
8	R50388	TUBE	1	288236-_____	(SUB FOR T36166)
9	R26405	LINE	1	_____-288235	(SUB R495R, R50387, R50388, R50589 AND (2) AR21839, THIS APPLICATION)

<https://www.ebooklibonline.com>

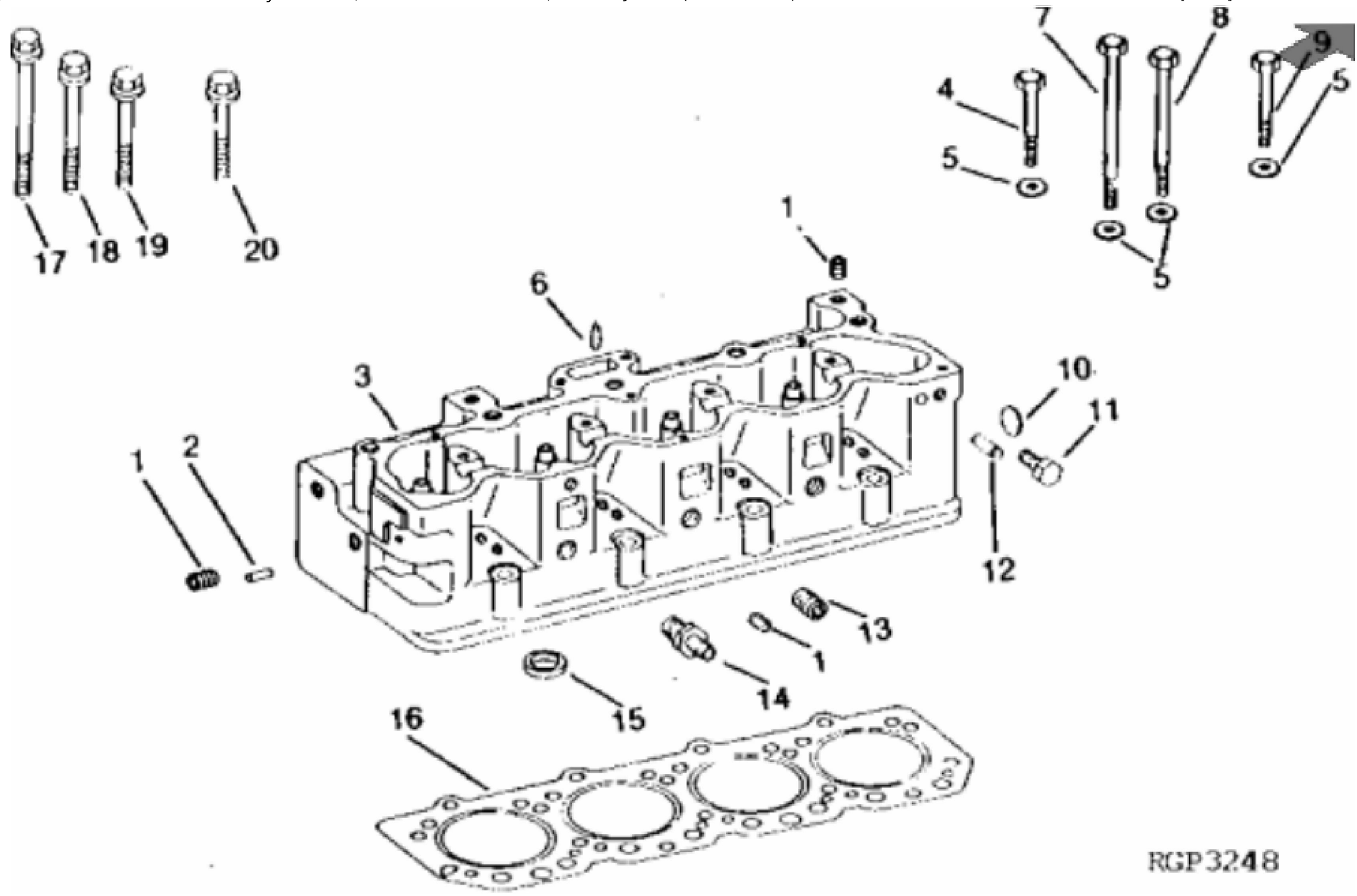
Hello dear friend!

Thank you very much for reading.

Enter the link into your browser.

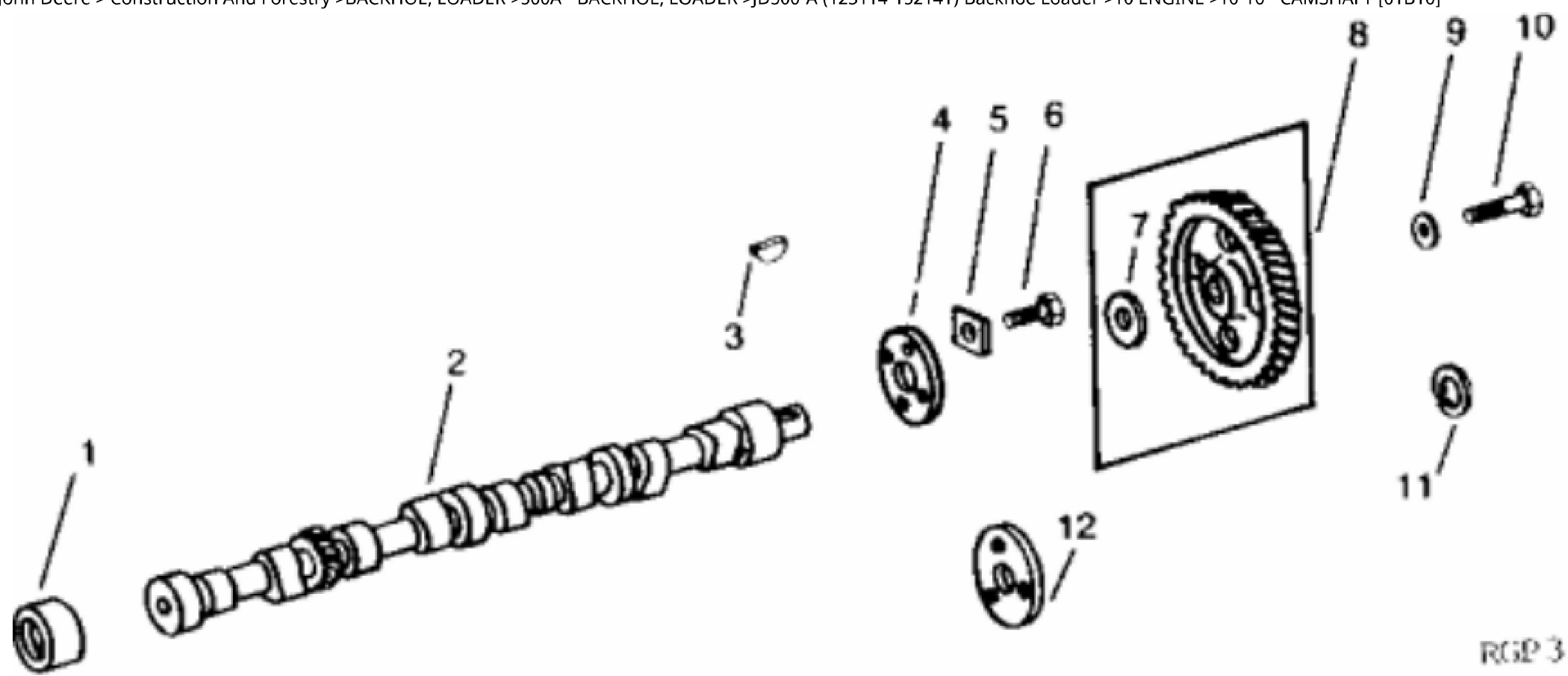
The full manual is available for immediate download.

<https://www.ebooklibonline.com>



KEY	PART NO.	PART NAME	QTY	Engine Serial No.	REMARKS
1	15H665	PIPE PLUG	7		3/4"
2	F1743R	DOWEL PIN	1		
3	CYLINDER HEAD	1		(A) (B) (AR47066 NO LONGER AVAILABLE) (MARKED R40530 OR R45160) (SUB FOR AR40306 OR AR40307) (ALSO ORDER (4) R45161)
3	AR81614	CYLINDER HEAD	1		(C) (MARKED R40540) (SUB FOR AR40309)
3	SE500611	CYLINDER HEAD	1		(REMANUFACTURED FOR AR81614)
4	R62421	SCREW	4		(C) 9/16" X 3-3/8", (SUB FOR R42728 OR R45195)
4	R42727	CAP SCREW	4	____-125702	(A) (B) 9/16" X 2-3/8", (USE WITH R40540)
4	R45161	CAP SCREW	4	125703-____	(A) (B) 9/16" X 2-3/4", (USE WITH R45160)
5	R76126	WASHER	18		(SUB FOR R42364) (USE ONLY WITH R62421, R42727, R45161, R62419, R62420 AND R62418)
6	34H387	SPRING PIN	1		3/16" X 3/4"
7	R62419	SCREW	6		9/16" X 6-3/8", (SUB R88044) (SUB FOR R44215, R45193)
8	R62420	SCREW	5		9/16" X 7-1/2", (SUB R88045) (SUB FOR R44216, R45194)
9	R62418	SCREW	3		9/16" X 5-3/8", (SUB FOR R44214 AND R45192)
10	PLUG	1		(A) (B) (30H37 - NO LONGER AVAILABLE)
11	19H1916	CAP SCREW	2		5/8" X 1"
12	R48685	DOWEL PIN	AR		(SUB FOR A120R)
13	RE57836	PIPE PLUG	1		(C) 1/2", (SUB FOR 15H624) (4 USED GASOLINE AND LP-GAS)
14	R41071	FITTING	1		
15	R33634	VALVE SEAT INSERT	4		(B) (EXHAUST VALVE SEAT)
15	R34593	VALVE SEAT INSERT	AR		(A) (B) 0.25MM (.010") OVERSIZE, (EXHAUST)
15	R43681	VALVE SEAT INSERT	AR		(C) (EXHAUST)
15	R43683	VALVE SEAT INSERT	AR		(C) 0.25MM (.010") OVERSIZE, (EXHAUST)
15	R43680	VALVE SEAT INSERT	AR		(C) (INTAKE)
15	R43682	VALVE SEAT INSERT	AR		(C) 0.25MM (.010") OVERSIZE, (INTAKE)
16	R41608	ENGINE CYLINDER HEAD GASKET	1		(A) (B)
16	R48292	ENGINE CYLINDER HEAD GASKET	1		(C) (SUB FOR R41710)
17	R88045	CAP SCREW	5		
18	R88044	CAP SCREW	6		

KEY	PART NO.	PART NAME	QTY	Engine Serial No.	REMARKS
19	SCREW	NA		
20	SCREW	NA		
..	GASKET KIT	1		(A) (B) KIT (AR53030 - NO LONGER AVAILABLE) (SUB FOR AR44037)
..	AR53034	GASKET KIT	1		(C) (SUB FOR AR44035) KIT



RGD 3163



Suggest:

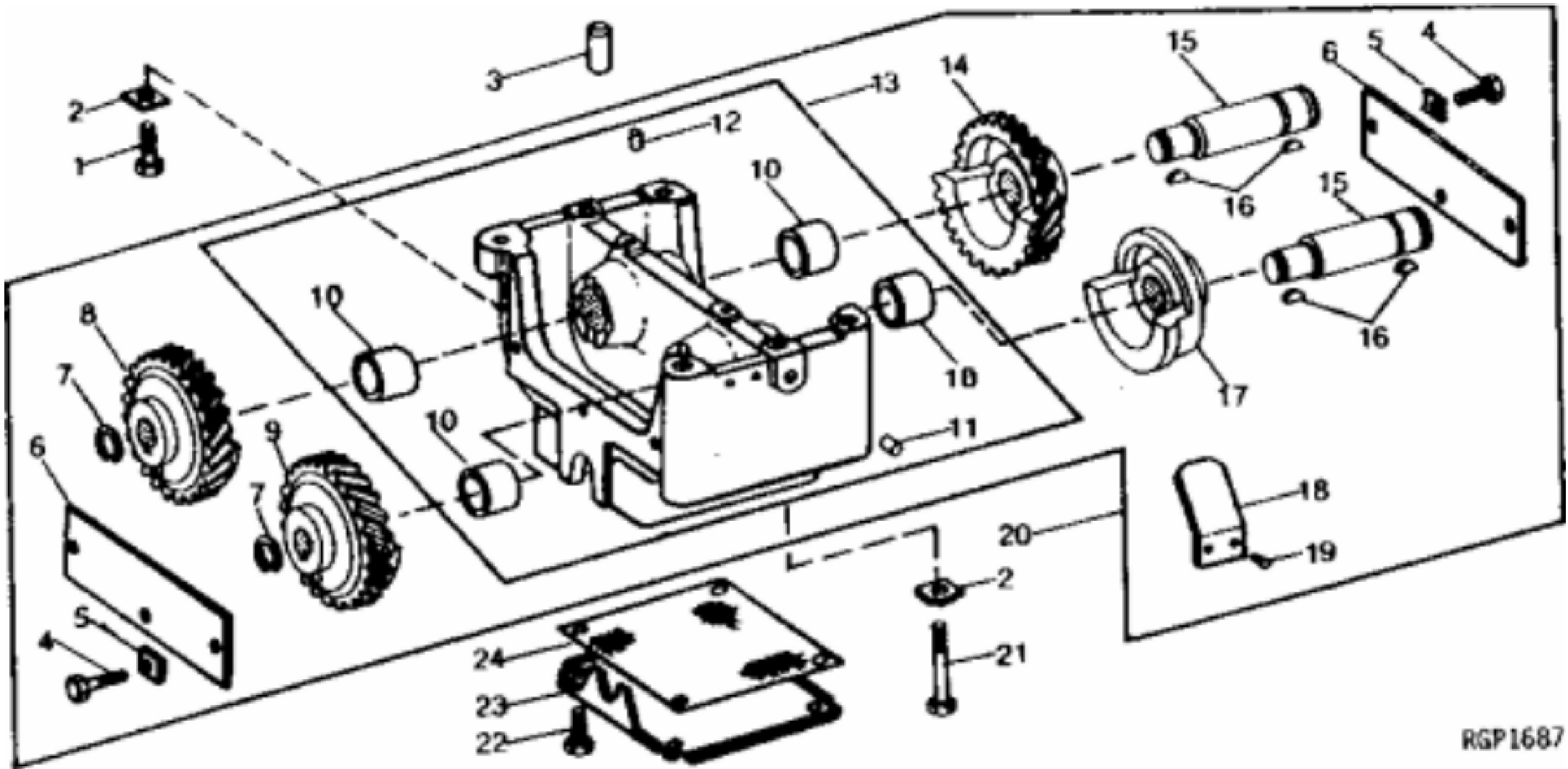
For more complete manuals. Please go to the home page.

<https://www.ebooklibonline.com>

If the above button click is invalid. Please download this document first, and then click the above link to download the complete manual.

Thank you so much for reading

KEY	PART NO.	PART NAME	QTY	REMARKS
1	R46903	BUSHING	3	(SUB FOR R26114, R42339)
2	AR32729	CAMSHAFT	1	(A) (GAS & LP) (MARKED R32424 OR R33777) (ALSO ORDER (8) R26342) (USE WITH R33190 OR R40840) (JD500, JD500-A*)
2	AR32730	CAMSHAFT	1	(B) (DIESEL) (MARKED R33777) (ALSO ORDER (8) R26342) (USE WITH R32020 OR R40850) JD500, JD500-A*)
2	AR44392	CAMSHAFT	1	(A) (D) (GAS & LP) (MARKED R42351) (JD500-A&, JD500-B)
2	AR44393	CAMSHAFT	1	(C) (D) (DIESEL) (MARKED R42351) (JD500-A&, JD500-B, JD500-C, JD510)
2	AR49142	CAMSHAFT	1	(A) (D) (GAS & LP) (MARKED R46427) (USE WITH R49540) (JD500)
3	26H72	SHAFT KEY	1	
4	R42355	THRUST WASHER	1	(USE WITH R40920, R46350, R46430 OR R49540) (JD500-A&, JD500-B, JD500-C, JD510)
4	R40634	THRUST WASHER	1	(USE WITH R46430) (JD500)
5	T13857	LOCK PLATE	3	(SUB FOR R35128) (JD500, JD500-A*)
6	19H1813	CAP SCREW	AR	
7	R43754	WASHER	1	
8	AR43594	GEAR	1	(MARKED R43742) (INCLUDES R43754) (SUB FOR R26077)
9	R35256	WASHER	1	(JD500-A&, JD500-B, JD500-C, JD510)
10	19H2993	CAP SCREW	1	1/2" X 1-1/2", (JD500-A&, JD500-B, JD500-C, JD510)
11	F534R	SNAP RING	1	(JD500-A*, JD500)
12	R26078	WASHER	1	(USE WITH R26150, R26160, R32020, R33190, R40840 AND R40850) (JD500, JD500-A*)



RGP1687

<https://www.ebooklibonline.com>

Hello dear friend!

Thank you very much for reading.

Enter the link into your browser.

The full manual is available for immediate download.

<https://www.ebooklibonline.com>