

[01B03]

KEY	PART NO.	PART NAME	QTY	REMARKS
1	19H2705	CAP SCREW	6	5/16" X 1"
1	R47074	CAP SCREW	6	(USE WITH BLOCK MARKED R46430)
2	R35128	LOCK PLATE	6	(SUB FOR T13857)
3	R41406	HOUSING	1	
4	R26058	GASKET	1	
5	AR63095	SEAL	1	
6	R43634	DOWEL PIN	1	(USE WITH BLOCK MARKED R46430)
7	R26115	PLUG	1	
8	F1743R	DOWEL PIN	5	
9	15H623	PIPE PLUG	1	3/8"
10	AR70645	O-RING KIT	4	(USE WITH BLOCK MARKED R46430)
11	AR68650	KIT	4	(USE WITH BLOCK MARKED R46430)
12	AR44382	DRAIN VALVE	1	(USE WITH BLOCK MARKED R46430)
13	AR40751	DIPSTICK	1	(USE WITH BLOCK MARKED R46430)
14	A4730R	O-RING	2	(USE WITH AR40751)
15	R48685	DOWEL PIN	2	(SUB FOR R26241, THIS APPLICATION)
16	.....	CYLINDER BLOCK	1	WITH LINERS, BALANCER HOUSING, DIPSTICK, CAM FOLLOWERS, PUSH RODS, CYLINDER HEAD SCREWS AND WASHERS, CAMSHAFT, THRUST PLATE, BUSHINGS, STUDS, PLUGS, AND DOWEL PINS, ( AR48625 NO LONGER AVAILABLE) (MARKED R46430)
17	19H3239	CAP SCREW	3	3/8" X 1-1/4"
18	12H304	LOCK WASHER	3	3/8"
19	R42493	COVER	1	
20	.....	GASKET	1	( R42494 - NO LONGER AVAILABLE)
21	R27175	DRAIN PLUG	1	(OIL COOLER RETURN LINE HOLE IN BLOCK)
22	U12547	O-RING	1	(SUB FOR F3171R) (OIL COOLER RETURN LINE HOLE IN BLOCK)
23	R41070	TUBE	1	(USE WITH BLOCK MARKED R46430)
24	K3083R	STUD	2	7/16" X 1-3/4"
25	M3636T	STUD	2	3/8" X 1-1/2"
26	AT85174	SWITCH	1	(SUB FOR AR27977)
27	R21630	PIPE PLUG	5	
28	34H366	SPRING PIN	2	1/2" X 1"

**<https://www.ebooklibonline.com>**

Hello dear friend!

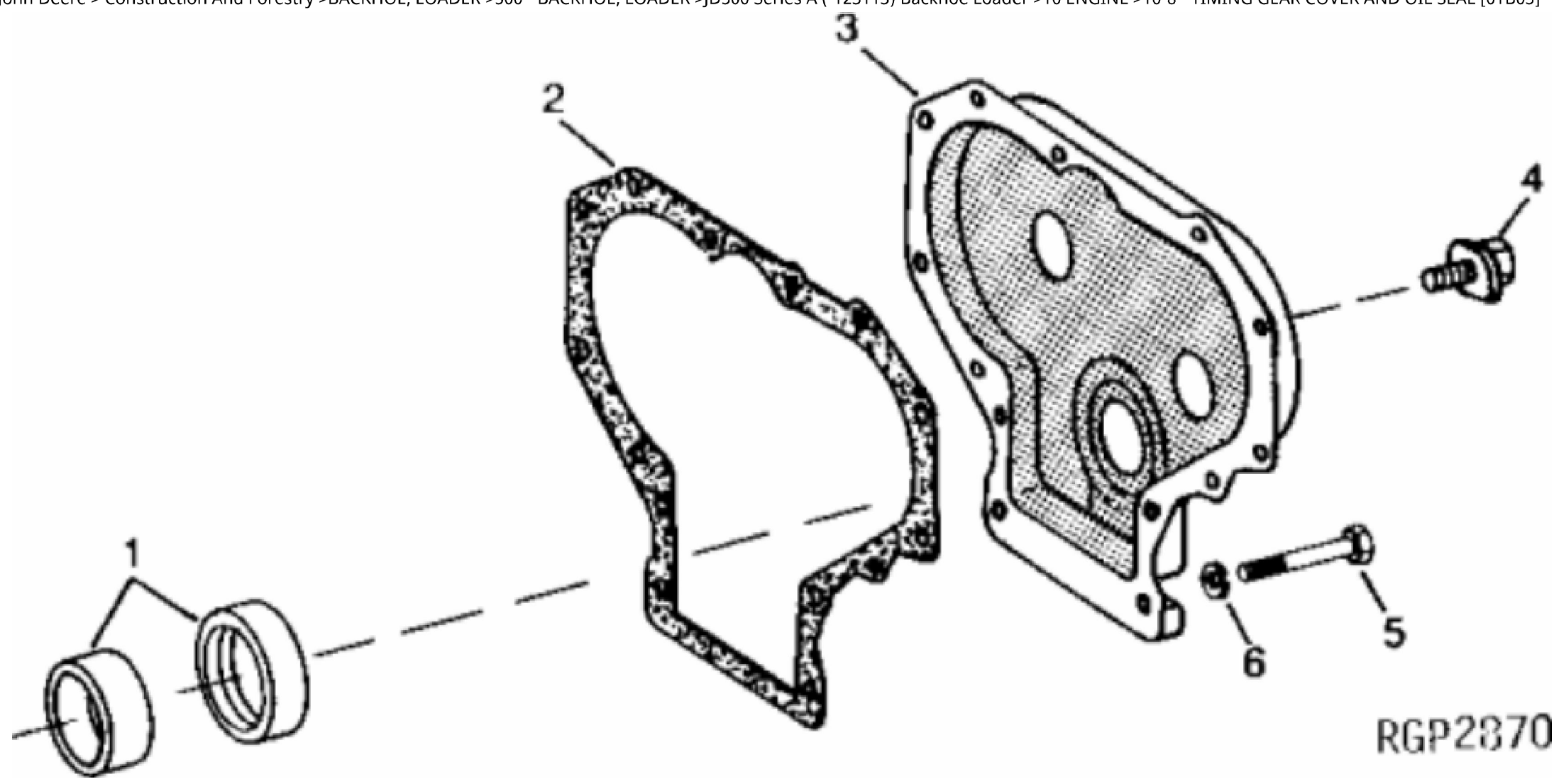
Thank you very much for reading.

Enter the link into your browser.

The full manual is available for immediate download.

**<https://www.ebooklibonline.com>**

KEY	PART NO.	PART NAME	QTY	REMARKS	
29	15H638	PIPE PLUG	1	1/8"	
30	15H571	PIPE PLUG	1	3/8"	
31	15H638	PIPE PLUG	1	1/8"	
32	R46192	GASKET	1		
33	R26825	COVER	1		
34	19H2284	CAP SCREW	2	3/8" X 7/8"	
35	14H785	NUT	2	5/16"	
36	12H303	LOCK WASHER	2	5/16"	
37	R48755	STUD	2	5/16" X 1-1/2"	
38	R1612R	DOWEL PIN	2		
39	15H561	PIPE PLUG	1	1/2", (USE WITH BLOCK MARKED R46430)	



RG2370

KEY	PART NO.	PART NAME	QTY	Engine Serial No.	REMARKS
1	.....	SEAL	1	____-036699	(FACE TYPE) ( AR27354 NO LONGER AVAILABLE) (SUB AR69984)
1	AR49025	SEAL	1	036700-____	(LIP TYPE) (SUB FOR AR31882, AR47891 AND AR48728)
2	R26084	GASKET	1		
3	AR69984	COVER	1		(SUB FOR AR31934, AR44390, AR26636, AR31536 OR AR31537)
4	AR27703	SCREW	11		
5	19H2661	CAP SCREW	2		5/16" X 1-3/8"
5	12H303	LOCK WASHER	2		5/16"



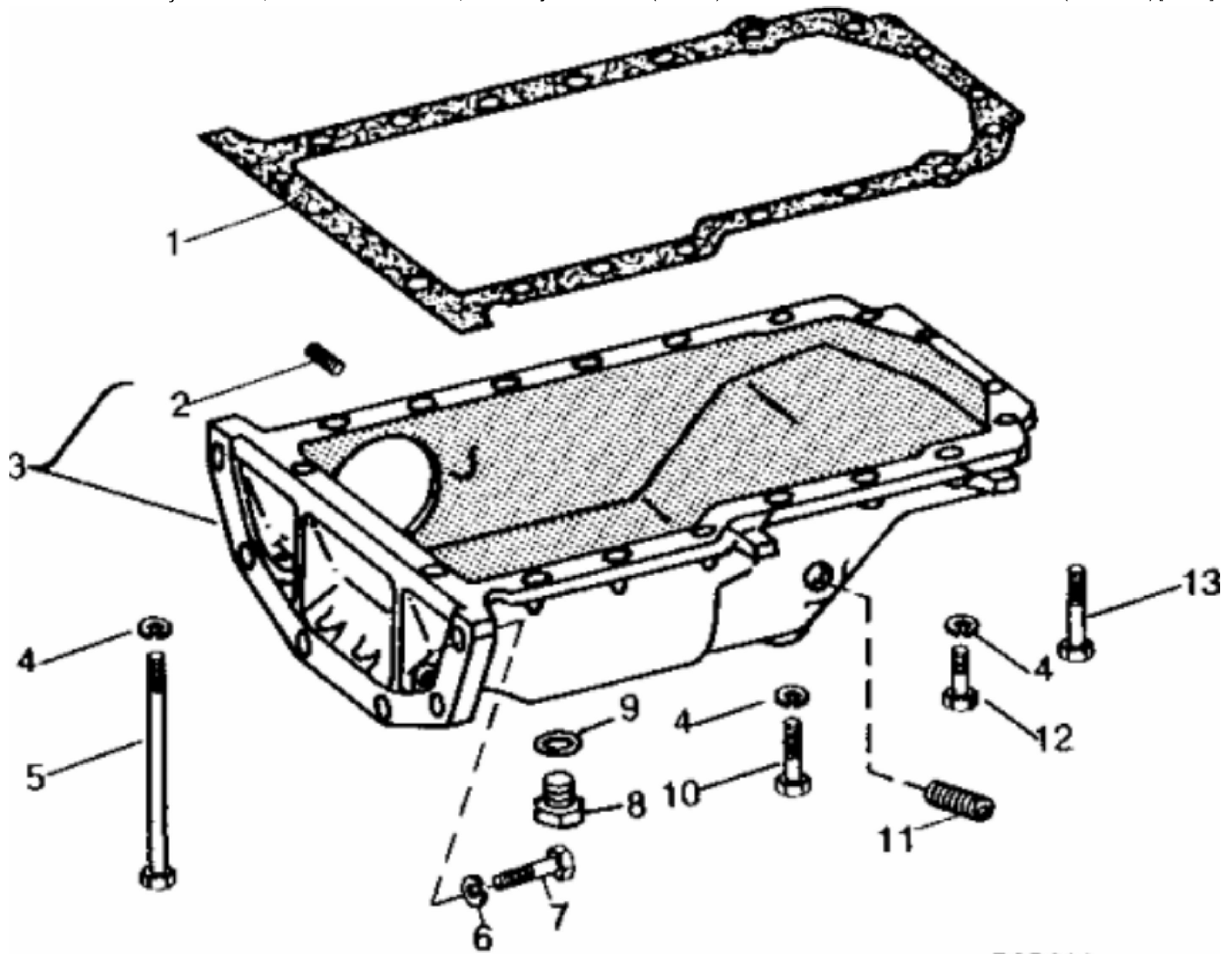
**Suggest:**

**For more complete manuals. Please go to the home page.**

**<https://www.ebooklibonline.com>**

**If the above button click is invalid. Please download this document first, and then click the above link to download the complete manual.**

**Thank you so much for reading**



RGP321

KEY	PART NO.	PART NAME	QTY	Engine Serial No.	REMARKS
1	R71917	GASKET	1		(SUB FOR R27314, R34615 OR R42423)
2	D2420R	STUD	4		
3	AR30303	OIL PAN	1	____-305635	(MARKED R27316 OR R31221) (SUB AR94559) (SUB FOR AR27557)
3	.....	OIL PAN	1	305636-____	(MARKED R71908) (AR94666 NO LONGER AVAILABLE) (SUB R71908 AND (4) D2420R)
4	12H304	LOCK WASHER	16		3/8"
5	19H3041	CAP SCREW	2	____-305635	(A) 3/8" X 6"
5	19H3562	CAP SCREW	2	305636-____	(B) 3/8" X 6-1/8", (GR. G)
6	12H301	LOCK WASHER	6		1/2"
7	19H2473	CAP SCREW	6		1/2" X 1-3/4"
8	R26727	DRAIN PLUG	1		
9	A4827R	WASHER	1		
10	19H3483	CAP SCREW	14	____-305635	(A) 3/8" X 1-1/8"
10	19H3267	CAP SCREW	13	305636-____	(B) 3/8" X 1-5/8"
11	15H665	PIPE PLUG	1		3/4"
12	19H3483	CAP SCREW	1	305636-____	(B) 3/8" X 1-1/8"
13	R27693	SCREW	2	____-305635	(A)
13	R73445	SCREW	2	305636-____	(B)

**<https://www.ebooklibonline.com>**

Hello dear friend!

Thank you very much for reading.

Enter the link into your browser.

The full manual is available for immediate download.

**<https://www.ebooklibonline.com>**