

TP5368

KEY	PART NO.	PART NAME	QTY	REMARKS
1	15H690	PIPE PLUG	AR	3/4"
1	T37027	FITTING	AR	(WITH CAB)
1	15H562	PIPE PLUG	AR	1"
2	R48685	DOWEL PIN	2	(SUB FOR R26241, THIS APPLICATION)
3	AT13740	DRAIN VALVE	1	(WITHOUT ENGINE COOLANT HEATER)
3	T29388	UNION FITTING	1	(WITH ENGINE COOLANT HEATER) (ALSO ORDER 15H613 ELBOW) (SUB FOR T29381)
4	15H275	PIPE PLUG	1	1/4"
4	T29388	UNION FITTING	1	(WITH ENGINE COOLANT HEATER)
5	CYLINDER BLOCK	1	(DIESEL) (SUB RE19841)
5	CYLINDER BLOCK	1	(GASOLINE)(NO LONGER AVAILABLE)
6	R122226	STUD	2	(SUB FOR R122226)
6	T25701	STUD	1	
7	12H304	LOCK WASHER	3	3/8"
8	14H812	NUT	3	3/8"
9	T18891	PLUG	2	
10	R26493	BUSHING	1	OIL PRESSURE RELIEF VALVE
11	R26650	DOWEL PIN	2	
12	15H623	PIPE PLUG	1	3/8"
13	R48685	DOWEL PIN	2	(SUB FOR A120R)
14	R73139	FLOW CONTROL HYD. VALVE	1	(USE WITH BLOCK MARKED R72965)
15	R46625	SPRING	1	(USE WITH BLOCK MARKED R72965)
..	SHORT BLOCK ASSEMBLY	1	(DIESEL) (SUB RE19842, (14) R53223 AND R81513)
..	SHORT BLOCK ASSEMBLY	1	(GASOLINE)(NO LONGER AVAILABLE)

<https://www.ebooklibonline.com>

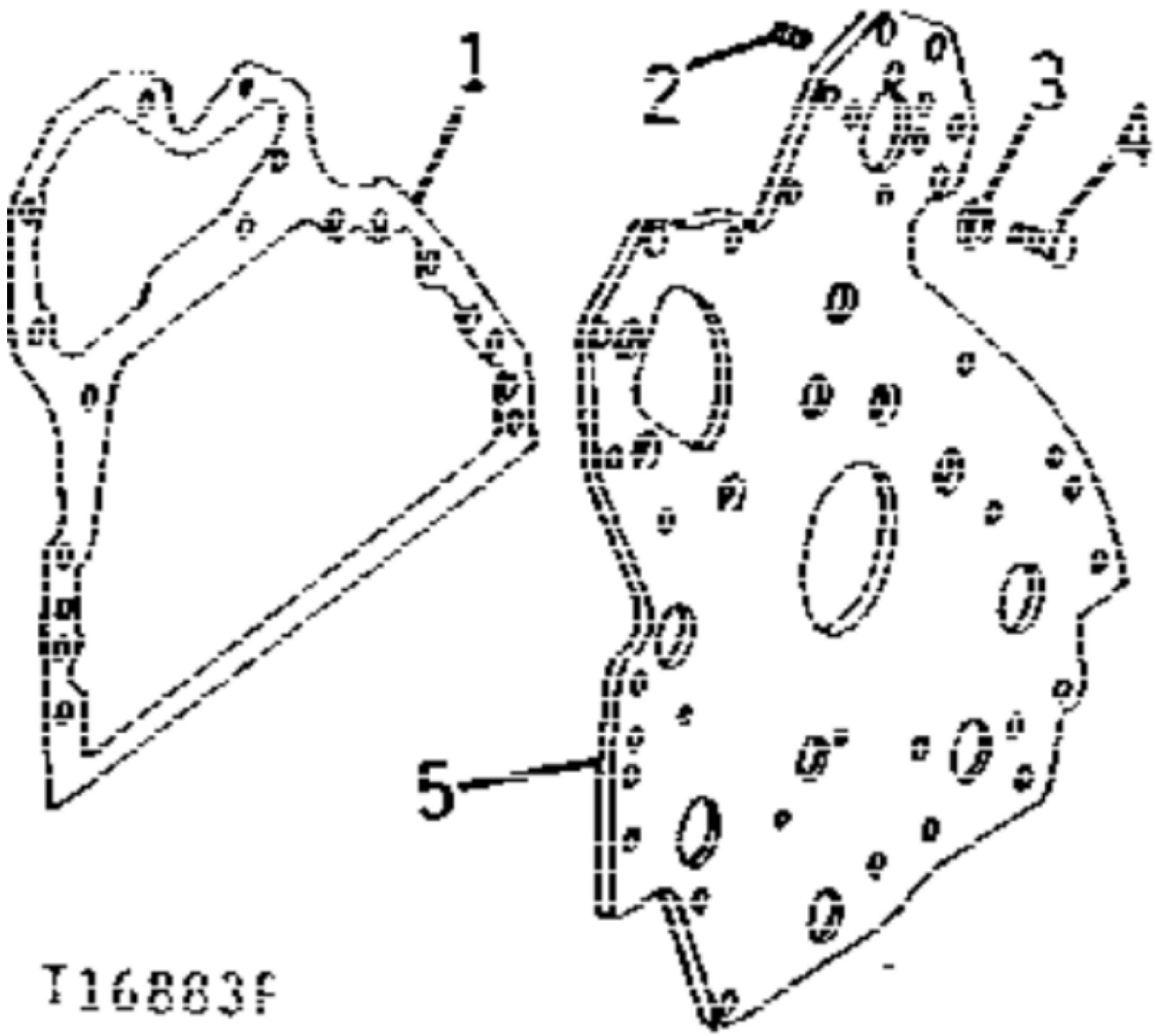
Hello dear friend!

Thank you very much for reading.

Enter the link into your browser.

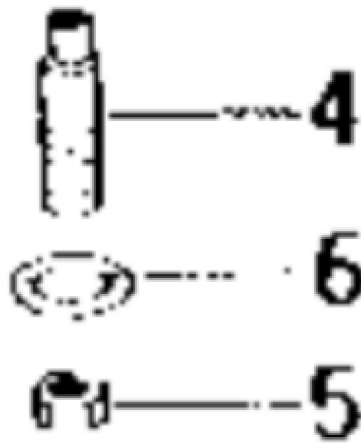
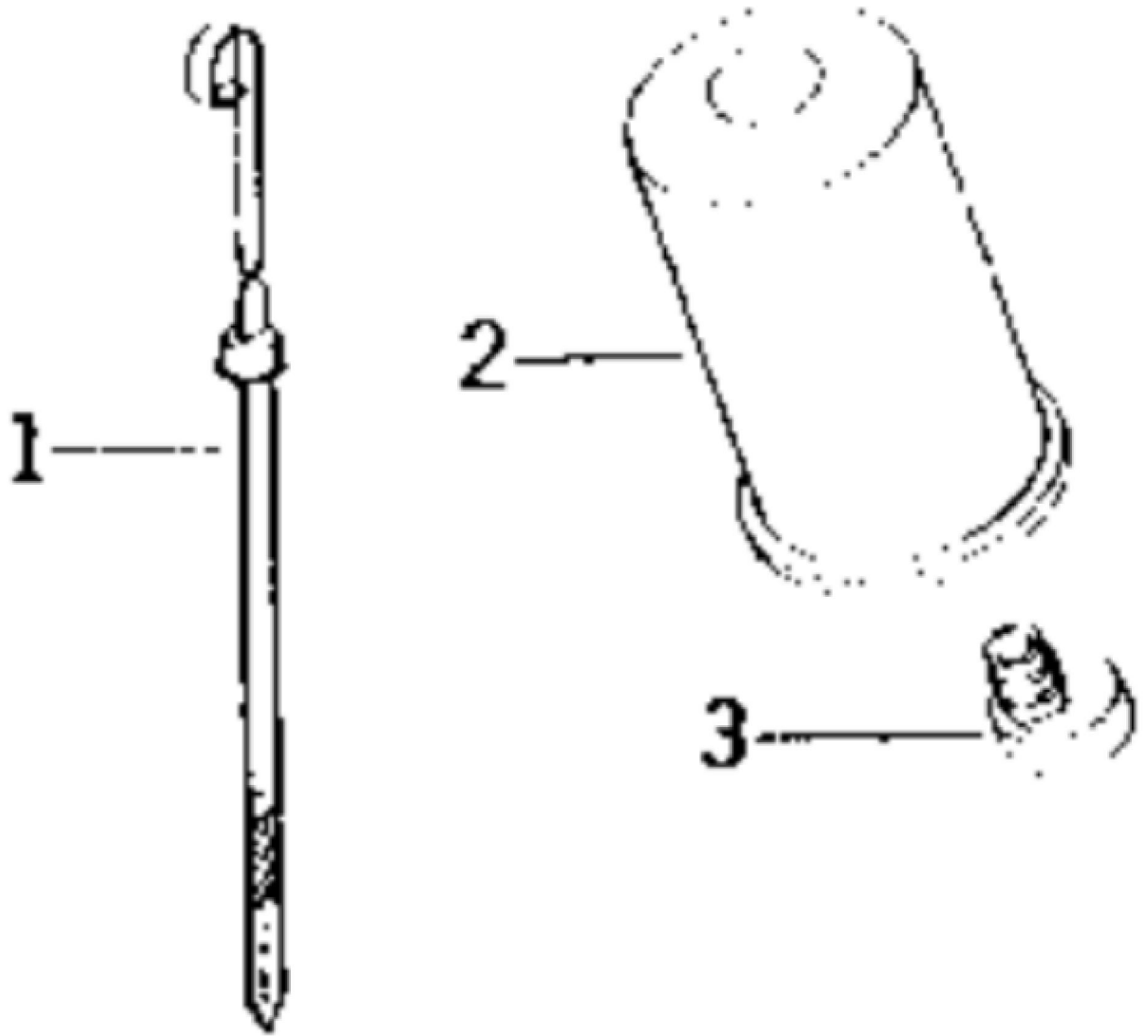
The full manual is available for immediate download.

<https://www.ebooklibonline.com>



T16883F

KEY	PART NO.	PART NAME	QTY	REMARKS	
1	R131794	GASKET	1	(SUB FOR R90648)	
2	AT21191	SET SCREW	AR	(DIESEL)	
2	AT22919	SET SCREW	2	(DIESEL)	
3	12H324	WASHER	5	3/8"	
4	T20166	SCREW	5		
5	RE16149	PLATE	1	(DIESEL) (SUB FOR T20295 AND R56736) (ALSO ORDER (8) AT21191 SET SCREWS AND (2) AT22919 SET SCREWS)	
5	R56737	PLATE	1	(GASOLINE) (SUB FOR T20024)	



129583



Suggest:

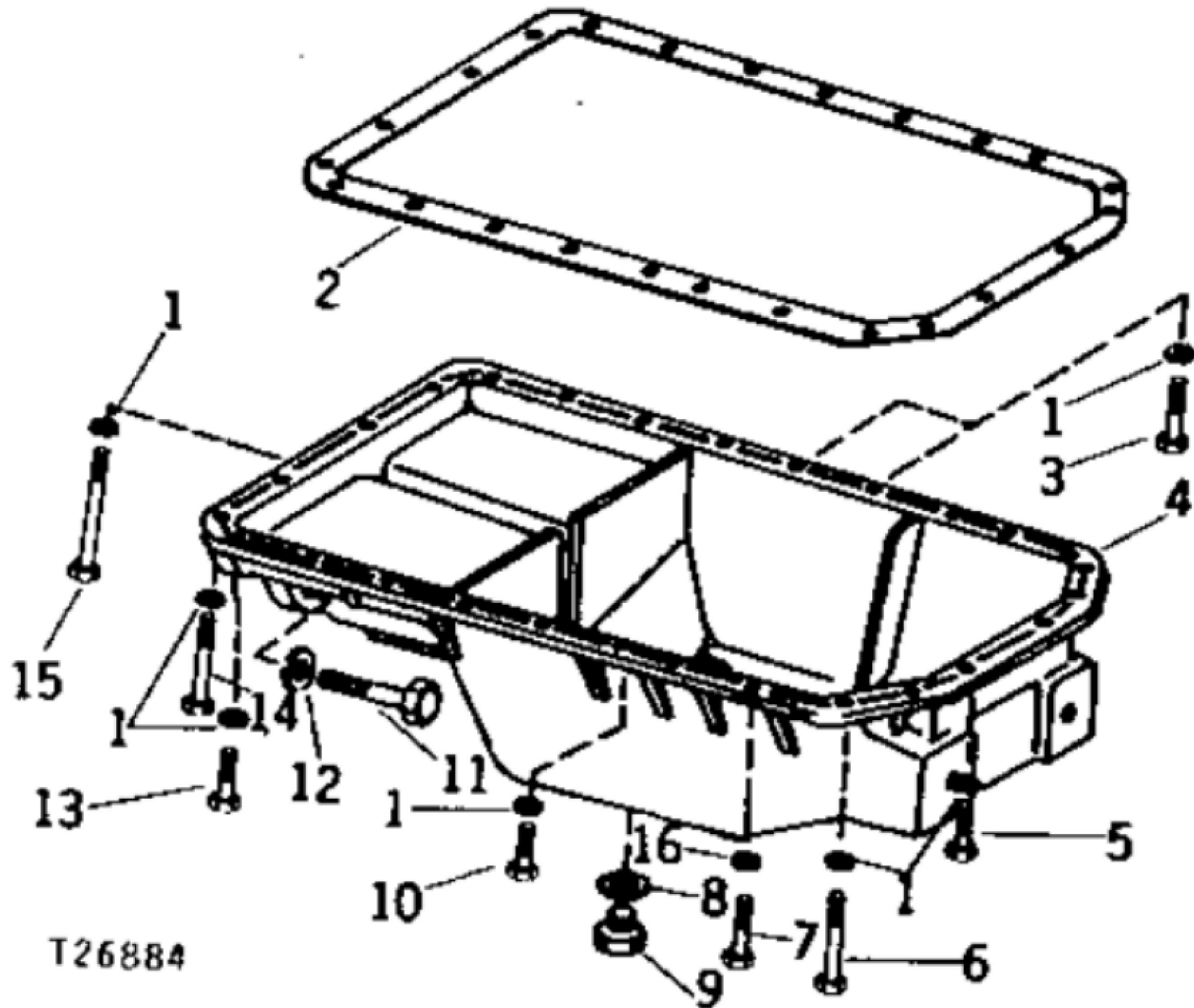
For more complete manuals. Please go to the home page.

<https://www.ebooklibonline.com>

If the above button click is invalid. Please download this document first, and then click the above link to download the complete manual.

Thank you so much for reading

KEY	PART NO.	PART NAME	QTY	Serial No.	REMARKS	
1	AT21534	DIPSTICK	1	____-206081		
1	AT21535	DIPSTICK	1	206082-____		
2	T19044	OIL FILTER	1			
3	T23435	THREADED NIPPLE	1			
4	T24409	THREADED NIPPLE	1	____-171644	(SUB R55299 AND R10093)	
4	R55299	DIPSTICK TUBE	1	171645-206081		
4	R55301	DIPSTICK TUBE	1		(SUB FOR R55300)	
5	14H826	NUT	1		1/2"	
6	R10093	O-RING	1	171645-____		



T26884

<https://www.ebooklibonline.com>

Hello dear friend!

Thank you very much for reading.

Enter the link into your browser.

The full manual is available for immediate download.

<https://www.ebooklibonline.com>