

KEY	PART NO.	PART NAME	QTY	REMARKS	
1	.....	CYLINDER BLOCK	1	MARKED R522823; ORDER RE536259	
2	T21937	PLUG	2		
3	R116466	PLUG	1		
4	R518501	BEARING CAP	6	(Main)	
5	R518579	CAP SCREW	14		
6	R518573	BEARING CAP	1	(Thrust)	
7	AT107509	PLUG	1		
8	15H685	PIPE PLUG	2	1/4"	
9	R502753	PLUG	2		
10	15H690	PIPE PLUG	1	3/4"	
11	RE547712	O-RING KIT	6		
12	.....	CYLINDER LINER	6	ORDER RE559262	
13	R1612R	DOWEL PIN	1	(Not Illustrated)	

**<https://www.ebooklibonline.com>**

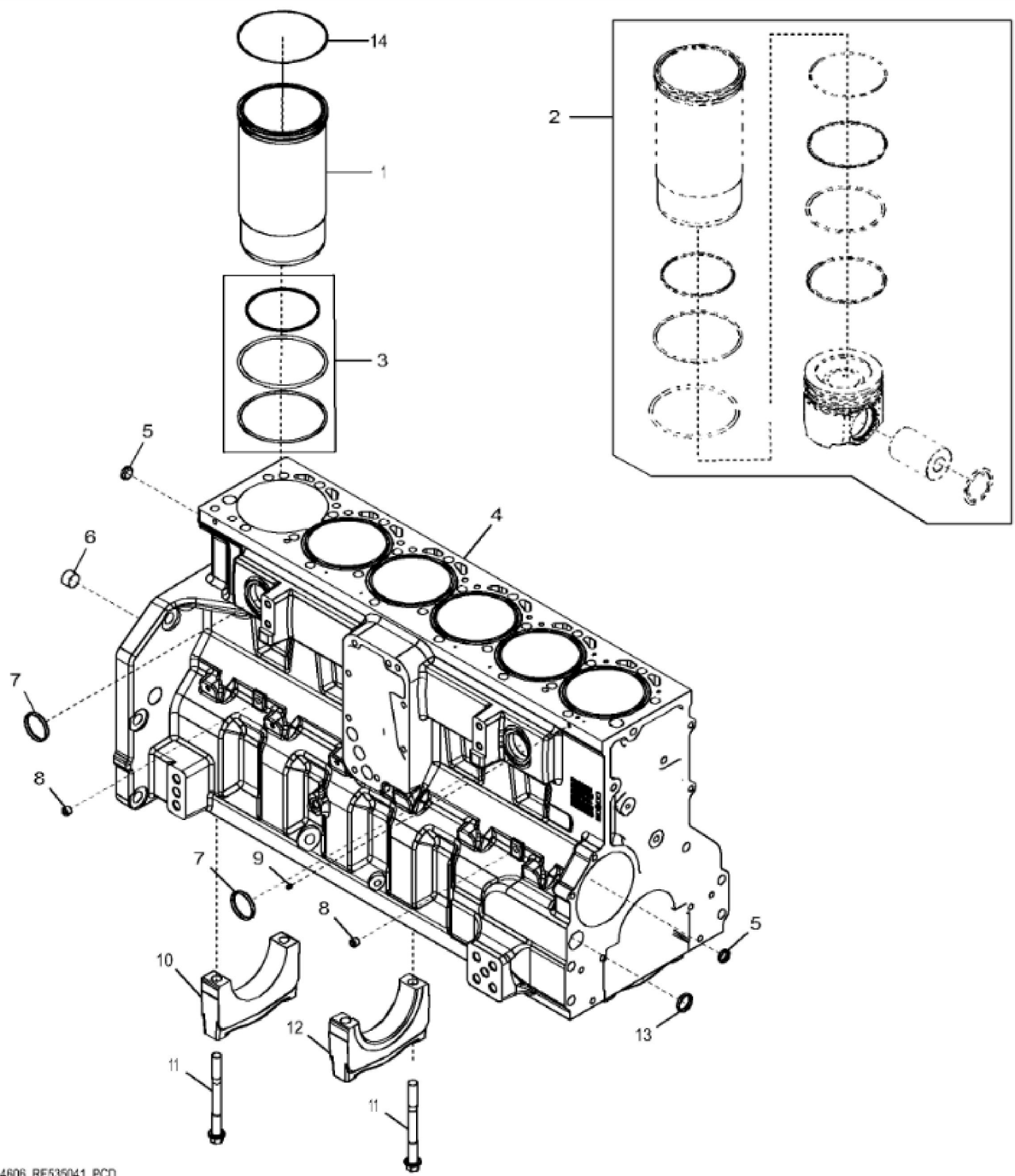
Hello dear friend!

Thank you very much for reading.

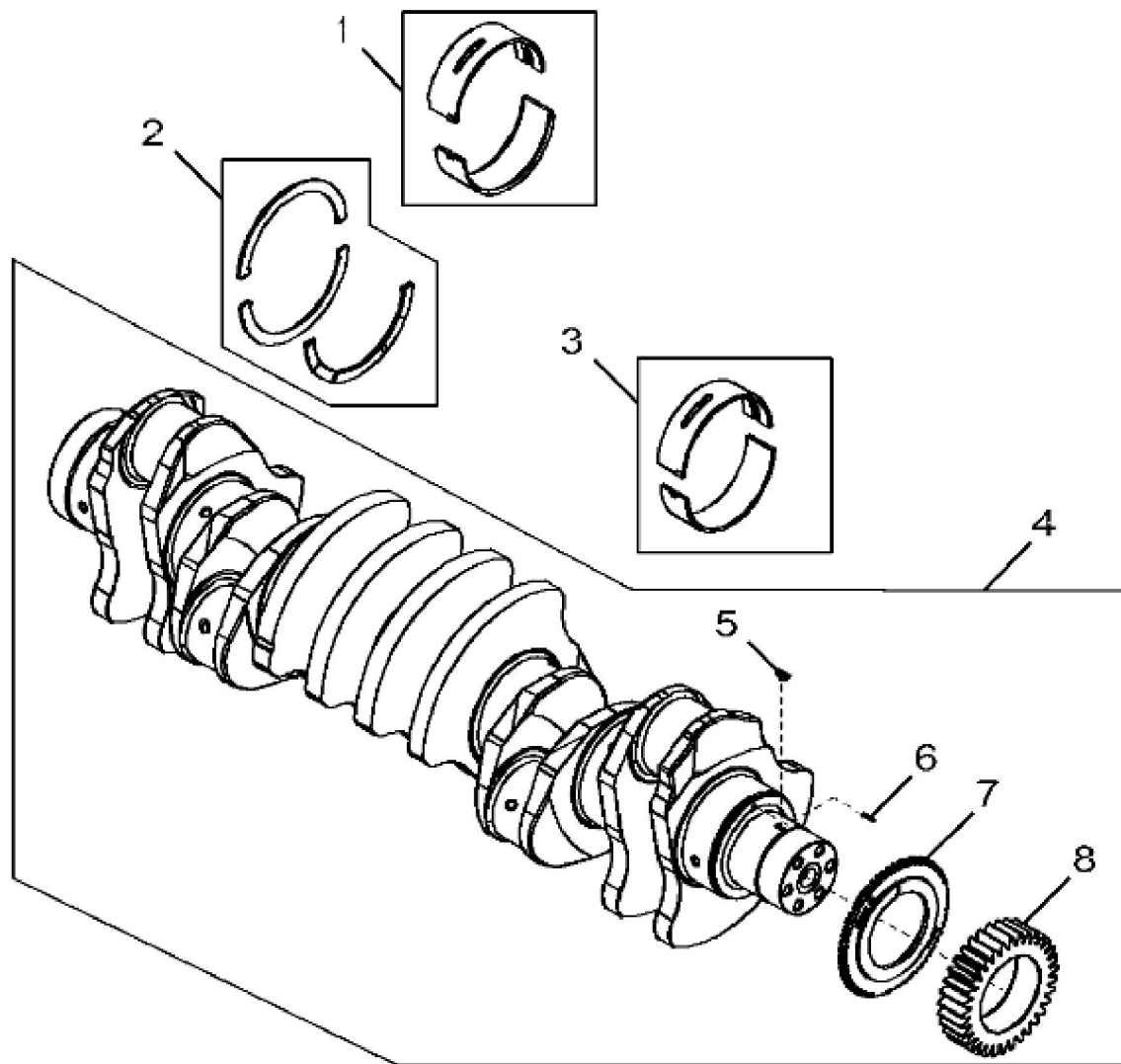
Enter the link into your browser.

The full manual is available for immediate download.

**<https://www.ebooklibonline.com>**



KEY	PART NO.	PART NAME	QTY	REMARKS	
1	.....	CYLINDER LINER	1	ORDER RE530808	
2	RE559262	PISTON-LINER KIT	1	SUB FOR RE530808	
3	RE547712	O-RING KIT	6		
4	.....	CYLINDER BLOCK	1	ORDER RE536259; MARKED R524714; USE WITH RE530817 200 mm	
4	.....	CYLINDER BLOCK	1	ORDER RE536259; MARKED R524714; USE WITH RE541424 225 mm	
5	T21937	PLUG	2		
6	15H690	PIPE PLUG	1	3/4", SUB FOR RE501736	
7	R502753	PLUG	2		
8	15H685	PIPE PLUG	2	1/4"	
9	AT107509	PLUG	1		
10	R518501	BEARING CAP	6	(Main)	
11	R518579	CAP SCREW	14		
12	R518573	BEARING CAP	1	(Thrust)	
13	R116466	PLUG	1		
14	R535114	SHIM	6		



4702\_RE524029\_PCD



**Suggest:**

**For more complete manuals. Please go to the home page.**

**<https://www.ebooklibonline.com>**

**If the above button click is invalid. Please download this document first, and then click the above link to download the complete manual.**

**Thank you so much for reading**

KEY	PART NO.	PART NAME	QTY	REMARKS	
1	RE530786	BEARING KIT	1	MARKED R517069 AND R517070	
2	RE530885	WASHER KIT	1	MARKED R520586	
3	RE530785	BEARING KIT	6	MARKED R517068 AND R517065	
4	RE522871	CRANKSHAFT	1		
4	SE501664	CRANKSHAFT REMAN	1	REMAN FOR RE522871	
5	26M4224	SHAFT KEY	1	4 X 16 mm	
6	34M7129	SPRING PIN	1	3 X 16 mm	
7	R122377	WHEEL SPEED SENSOR	1		
8	R529684	GEAR	1		



**<https://www.ebooklibonline.com>**

Hello dear friend!

Thank you very much for reading.

Enter the link into your browser.

The full manual is available for immediate download.

**<https://www.ebooklibonline.com>**