

KEY	PART NO.	PART NAME	QTY	REMARKS	
1	REC368634400	FILLER NECK	1		
2	REC368793200	FILLER CAP	1		
3	REC286922000	RETAINER	1		
4	REC368570100	O-RING	1		
5	REC390311200	SCREW	2		
6	REC368646800	BRACE	1		
7	REC390062900	CAP SCREW	3		
8	REC390399000	CAP SCREW	2		
9	REC368037100	PLATE	1		
10	REC310411900	GASKET	1		

**<https://www.ebooklibonline.com>**

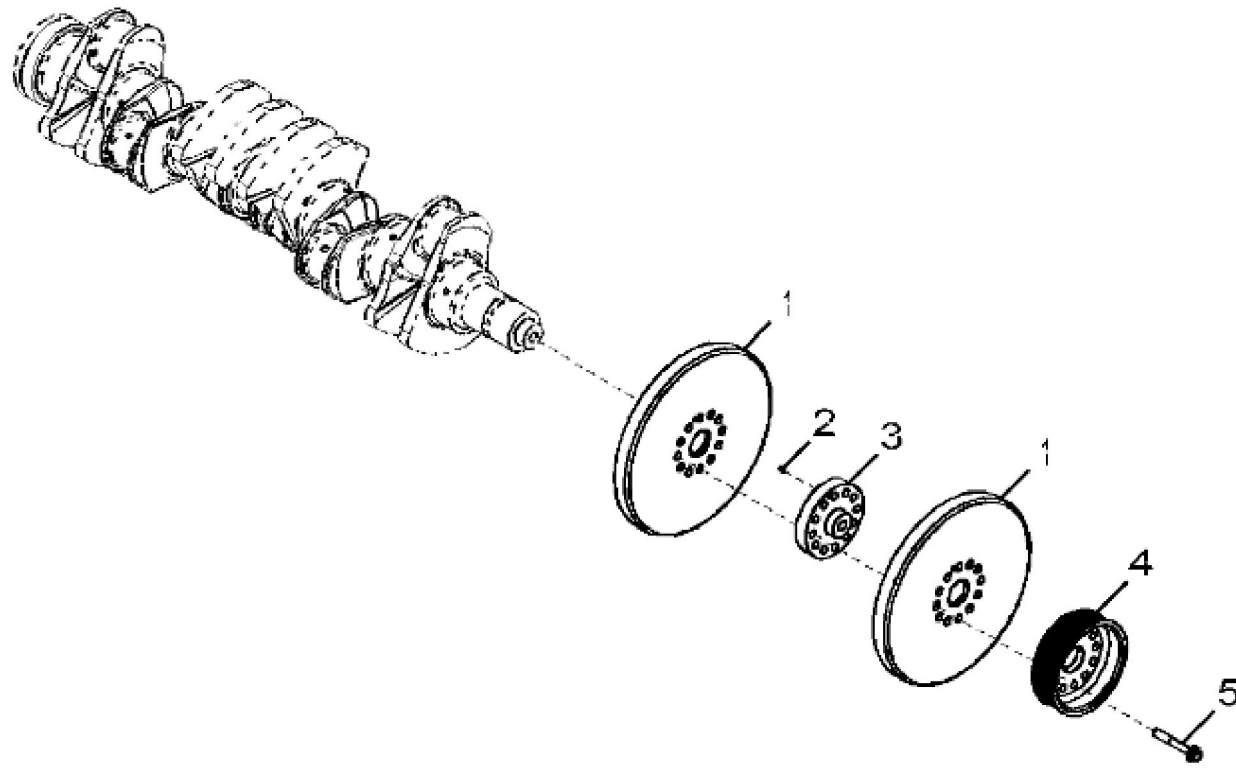
Hello dear friend!

Thank you very much for reading.

Enter the link into your browser.

The full manual is available for immediate download.

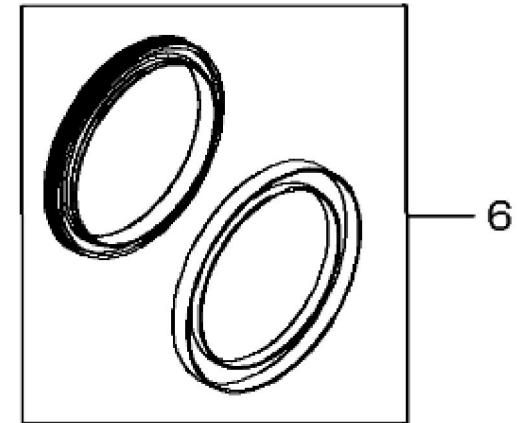
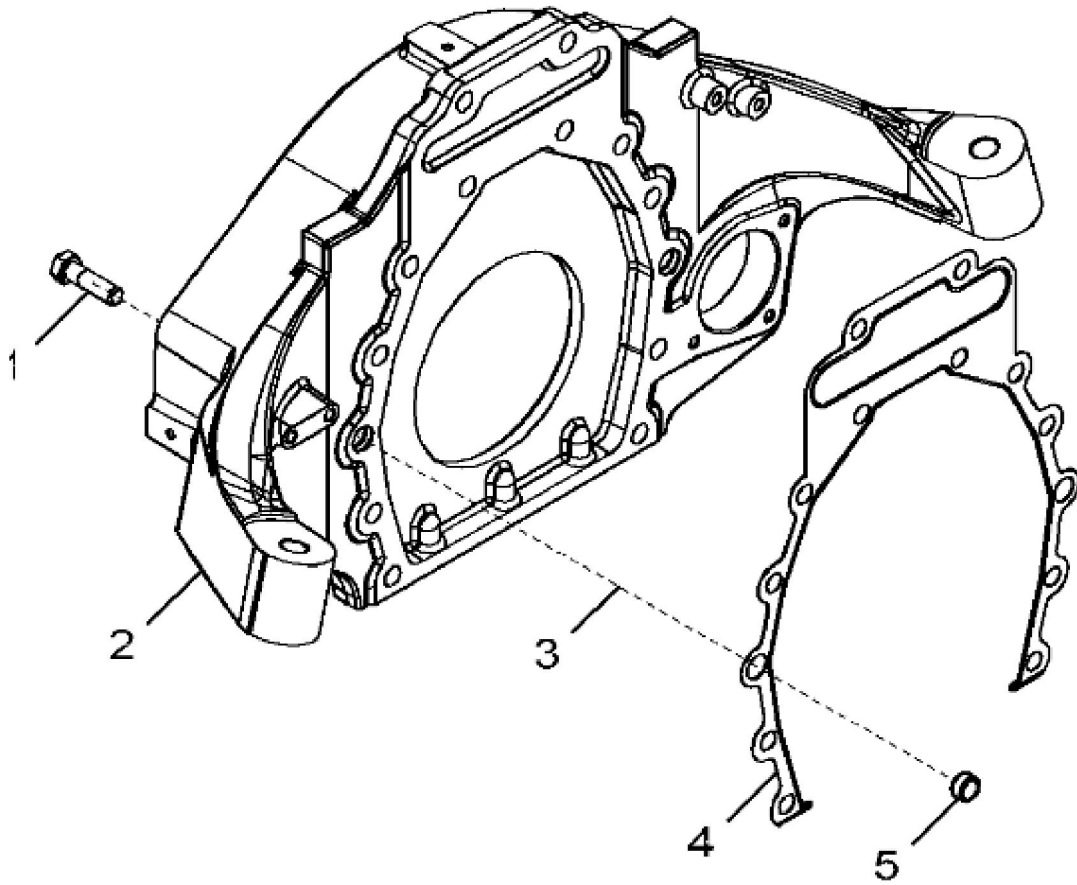
**<https://www.ebooklibonline.com>**



1355\_ETN129947\_PCD

John Deere > Agriculture > TRACTOR > QSX15 - TRACTOR > 9620R Tractor (S.N. 015000- ) (Worldwide Edition) > 20 ENGINE W/O ENGINE BRAKE QSX15-RE567942 > ST801959 - 1355 CRANKSHAFT PULLEY AND DAMPER

KEY	PART NO.	PART NAME	QTY	REMARKS	
1	REC410188400	TORSIONAL DAMPER	2		
2	REC306893500	DOWEL PIN	2		
3	REC368159500	SPACER	1		
4	REC310137600	PULLEY	1		
5	REC368158300	CAP SCREW	12		





**Suggest:**

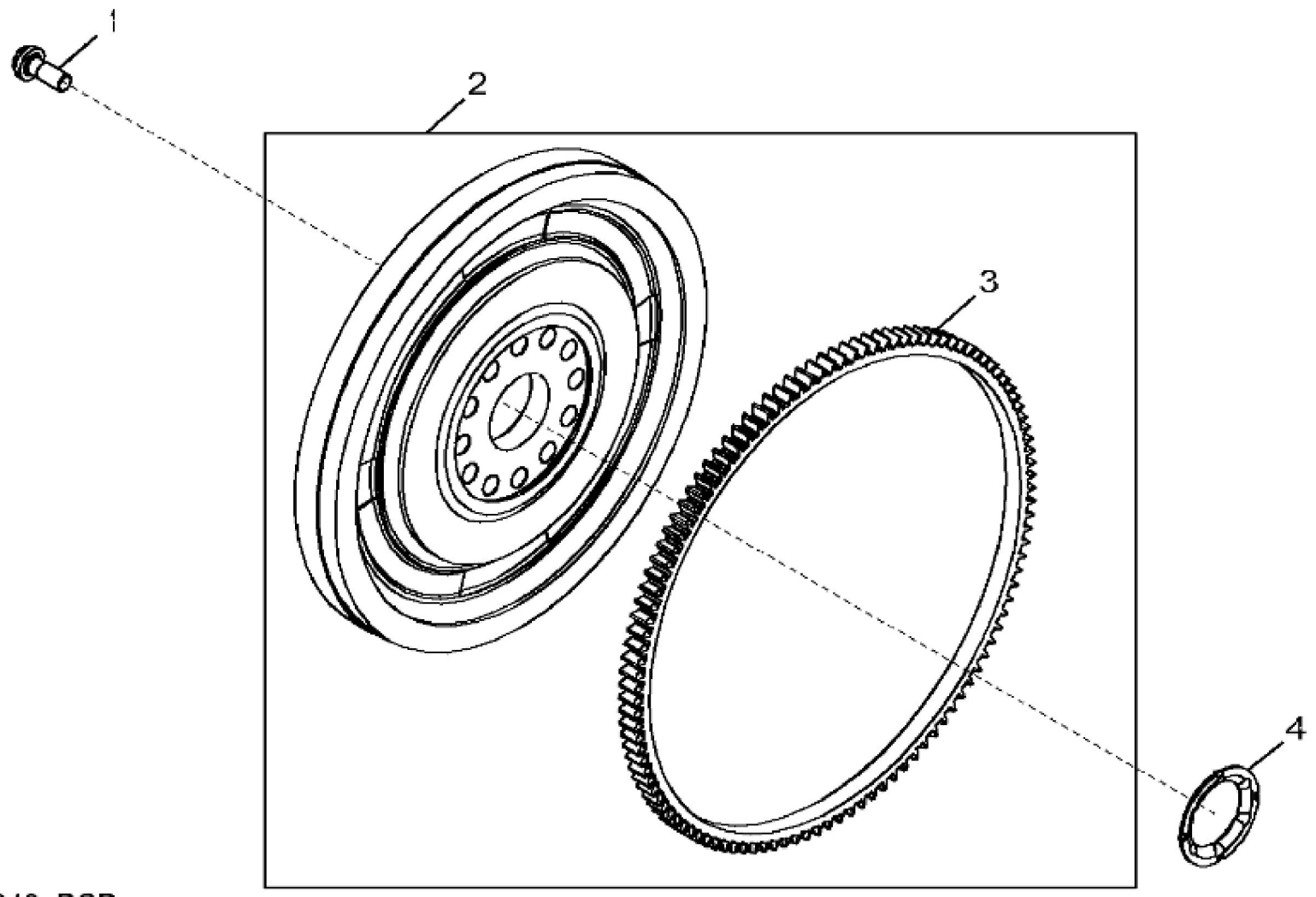
**For more complete manuals. Please go to the home page.**

**<https://www.ebooklibonline.com>**

**If the above button click is invalid. Please download this document first, and then click the above link to download the complete manual.**

**Thank you so much for reading**

KEY	PART NO.	PART NAME	QTY	REMARKS	
1	REC302214800	CAP SCREW	14		
2	REC369100400	SUPPORT	1	SUB FOR REC368988600	
3	REC012731600	WASHER	14		
4	REC496568800	GASKET	1		
5	REC367887100	DOWEL PIN	2		
6	REC496556900	SEAL KIT	1		



1527\_ETN129949\_PCD

**<https://www.ebooklibonline.com>**

Hello dear friend!

Thank you very much for reading.

Enter the link into your browser.

The full manual is available for immediate download.

**<https://www.ebooklibonline.com>**