

| KEY | PART NO. | PART NAME            | QTY | REMARKS                        |
|-----|----------|----------------------|-----|--------------------------------|
| 1   | .....    | CYLINDER LINER       | 6   | MARKED R534711; ORDER RE559263 |
| 1   | RE559263 | PISTON-LINER KIT     | 1   |                                |
| 2   | R116466  | PLUG                 | 1   |                                |
| 3   | RE547712 | O-RING KIT           | 6   |                                |
| 4   | .....    | CYLINDER BLOCK       | 1   | MARKED R528160; ORDER RE560917 |
| 4   | RE560917 | SHORT BLOCK ASSEMBLY | 1   |                                |
| 5   | R518573  | BEARING CAP          | 1   |                                |
| 6   | R529786  | CAP SCREW            | 14  |                                |
| 7   | R518501  | BEARING CAP          | 6   |                                |
| 8   | R524857  | PLUG                 | 2   |                                |
| 9   | T21937   | PLUG                 | 2   |                                |
| 10  | R539554  | PLUG                 | 1   | SUB FOR R529706                |
| 11  | AT107509 | PLUG                 | 1   |                                |
| 12  | RE46684  | FITTING PLUG         | 2   |                                |
| 13  | 51M7041  | O-RING               | 1   | 11.300 X 2.200 mm              |
| 14  | R502753  | PLUG                 | 1   |                                |
| 15  | 15H686   | PIPE PLUG            | 1   | 1", USE WITH RE560917          |
| 16  | RE539116 | FITTING              | 1   |                                |
| 17  | 51M7047  | O-RING               | 1   | 23.600 X 2.900 mm              |
| 18  | R535114  | SHIM                 | 6   |                                |

**<https://www.ebooklibonline.com>**

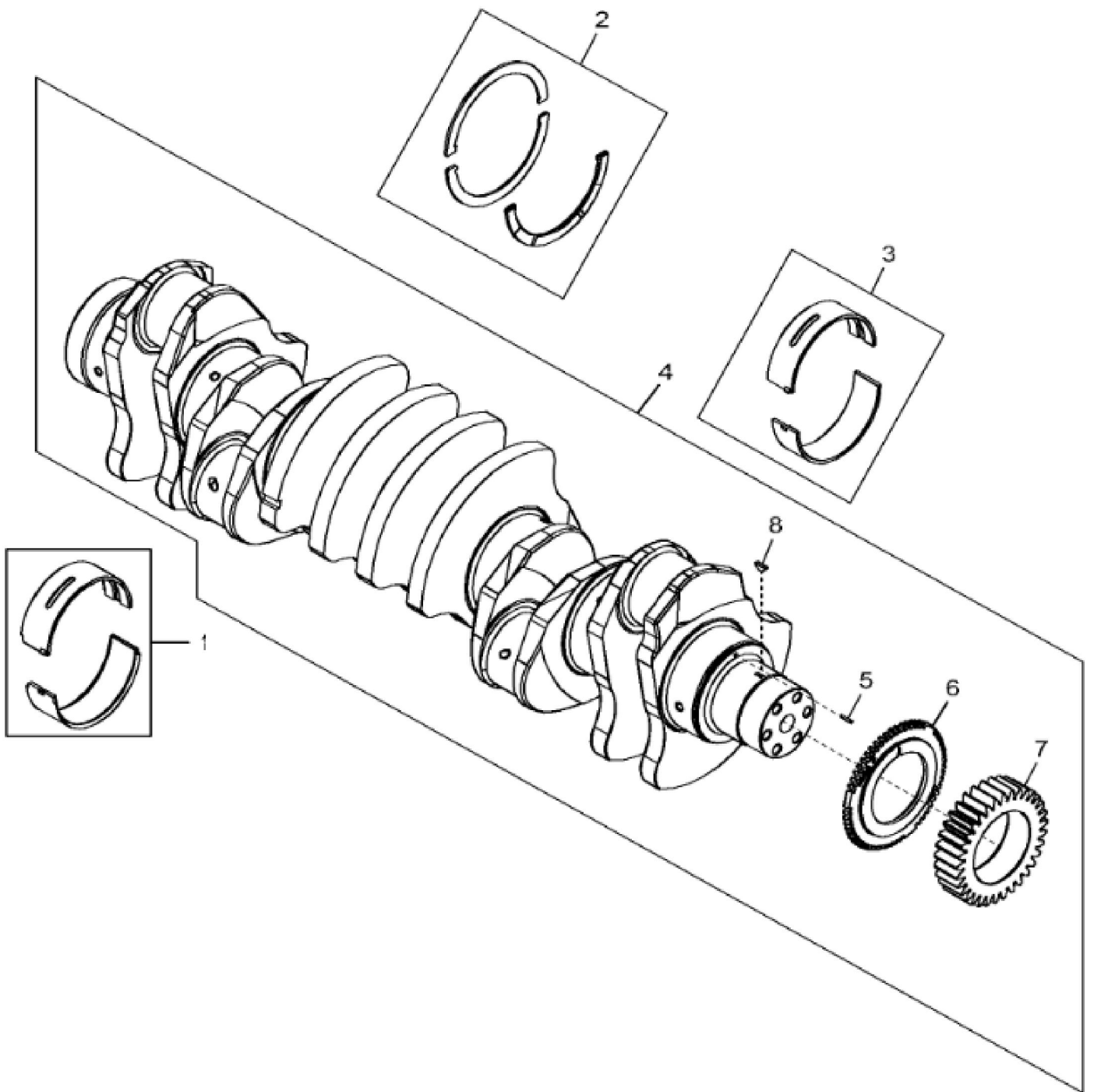
Hello dear friend!

Thank you very much for reading.

Enter the link into your browser.

The full manual is available for immediate download.

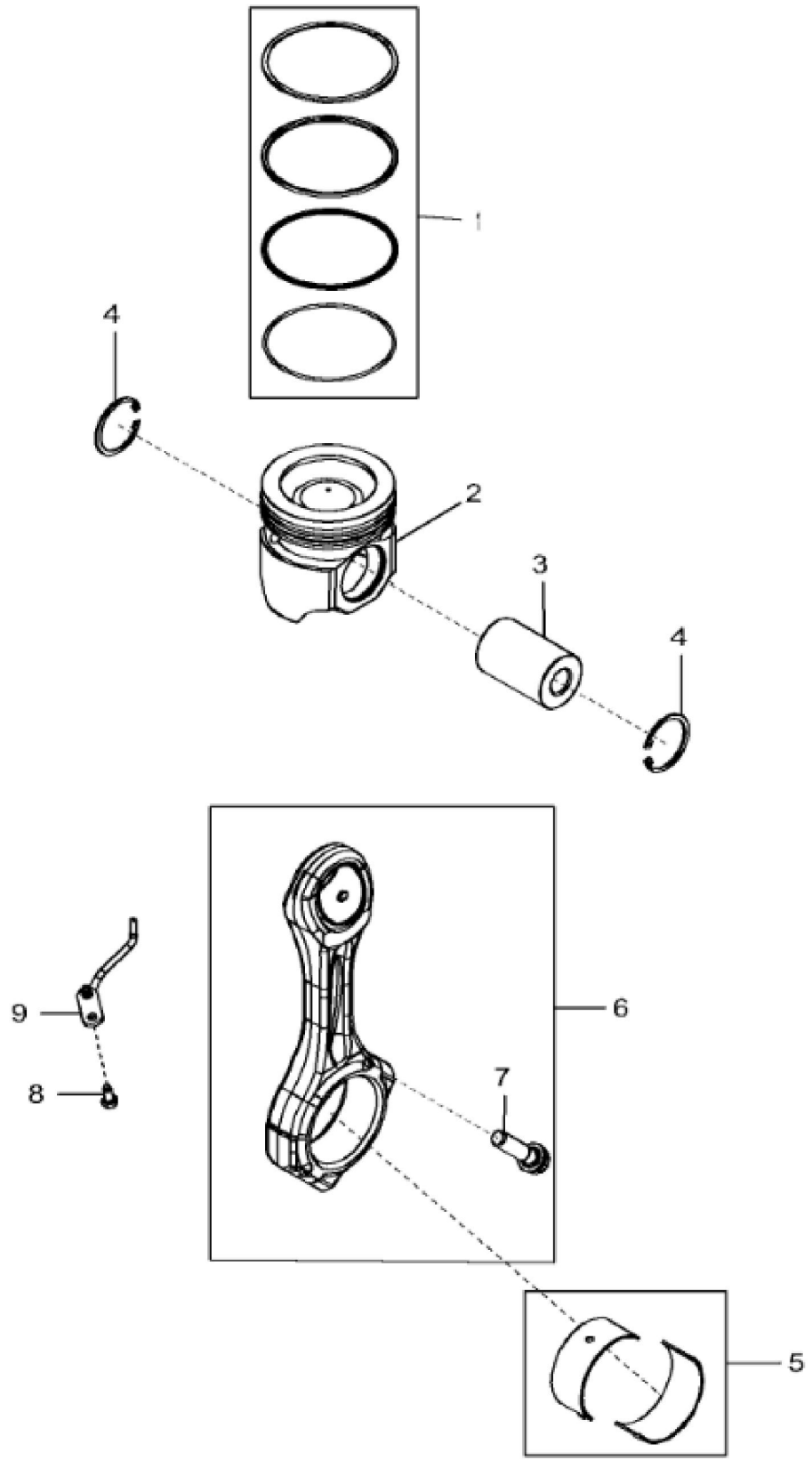
**<https://www.ebooklibonline.com>**



John Deere > Agriculture > TRACTOR > 9560RT - TRACTOR > 9560RT Tractor (S.N. 900101 - 905999)(Worldwide Edition) > 20 ENGINE 6135RW401-RE537466 > ST163443 - 4703 CRANKSHAFT AND BEARINGS

| KEY | PART NO. | PART NAME        | QTY | REMARKS                                   |
|-----|----------|------------------|-----|-------------------------------------------|
| 1   | RE530786 | BEARING KIT      | 1   | KIT; R517069 AND R517070; SUB FOR RE63905 |
| 2   | RE530885 | WASHER KIT       | 1   |                                           |
| 3   | RE530785 | BEARING KIT      | 6   | KIT; R517065 AND R517068; SUB FOR RE63903 |
| 4   | RE539339 | CRANKSHAFT       | 1   | MARKED R519559                            |
| 4   | SE502681 | CRANKSHAFT REMAN | 1   | (With Bearings) REMAN FOR RE539339        |
| 5   | 34M7129  | SPRING PIN       | 1   | 3 X 16 mm                                 |
| 6   | R528501  | WHEEL            | 1   |                                           |
| 7   | R529684  | GEAR             | 1   | Z = 33                                    |
| 8   | 26M4224  | SHAFT KEY        | 1   | 4 X 16 mm, SUB FOR R73866                 |

6135RW401-RE537466 > ST245950 - 4807 CONNECTING RODS AND PISTONS





**Suggest:**

**For more complete manuals. Please go to the home page.**

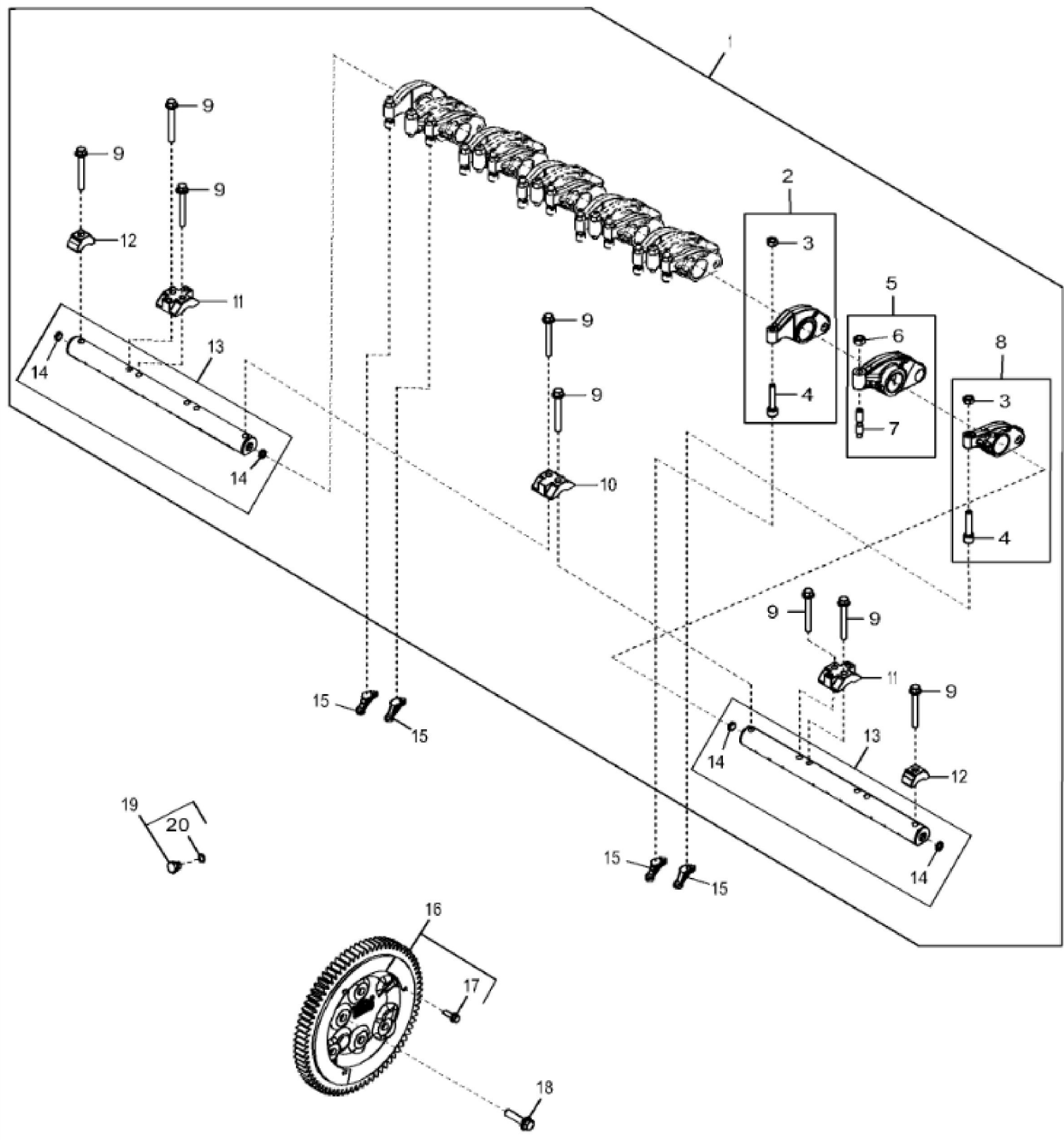
**<https://www.ebooklibonline.com>**

**If the above button click is invalid. Please download this document first, and then click the above link to download the complete manual.**

**Thank you so much for reading**

John Deere > Agriculture > TRACTOR > 9560RT - TRACTOR > 9560RT Tractor (S.N. 900101 - 905999)(Worldwide Edition) > 20 ENGINE 6135RW401-RE537466 > ST245950 - 4807 CONNECTING RODS AND PISTONS

| KEY | PART NO. | PART NAME            | QTY | REMARKS                         |
|-----|----------|----------------------|-----|---------------------------------|
| 1   | RE548110 | PISTON RING KIT      | 6   |                                 |
| 2   | .....    | PISTON               | 6   | MARKED RE544914; ORDER RE559263 |
| 2   | RE559263 | PISTON-LINER KIT     | 6   | (Not Illustrated)               |
| 3   | DZ101960 | PISTON PIN           | 6   |                                 |
| 4   | 40M7201  | SNAP RING            | 12  |                                 |
| 5   | RE562584 | BEARING KIT          | 6   | SUB FOR RE530787                |
| 6   | RE549596 | CONNECTING ROD       | 6   | SUB FOR APPL RE535966           |
| 6   | RM100065 | CONNECTING ROD REMAN | 1   | REMAN FOR RE549596              |
| 7   | R501380  | CAP SCREW            | 2   |                                 |
| 8   | RE530324 | SELF-LOCKING SCREW   | 6   |                                 |
| 9   | RE529378 | NOZZLE               | 6   |                                 |



**<https://www.ebooklibonline.com>**

Hello dear friend!

Thank you very much for reading.

Enter the link into your browser.

The full manual is available for immediate download.

**<https://www.ebooklibonline.com>**