

| KEY | PART NO. | PART NAME | QTY | REMARKS | |
|-----|----------|----------------|-----|-----------------|--|
| 1 | 19M8039 | SCREW | 3 | M8 X 80 | |
| 2 | RE547702 | SEALING WASHER | 3 | SUB FOR R524374 | |
| 2 | RE547702 | SEALING WASHER | 3 | | |
| 3 | RE71265 | ISOLATOR | 3 | | |
| 4 | R523531 | VALVE COVER | 1 | SUB FOR R524450 | |
| 5 | R501292 | GROMMET | 2 | SUB FOR R127451 | |
| 6 | R116713 | NEEDLE ROLLER | 2 | | |
| 7 | R521520 | GASKET | 1 | SUB FOR R502124 | |
| 8 | RE532491 | PANEL | 1 | | |
| 9 | RE527858 | SCREW | 4 | | |

<https://www.ebooklibonline.com>

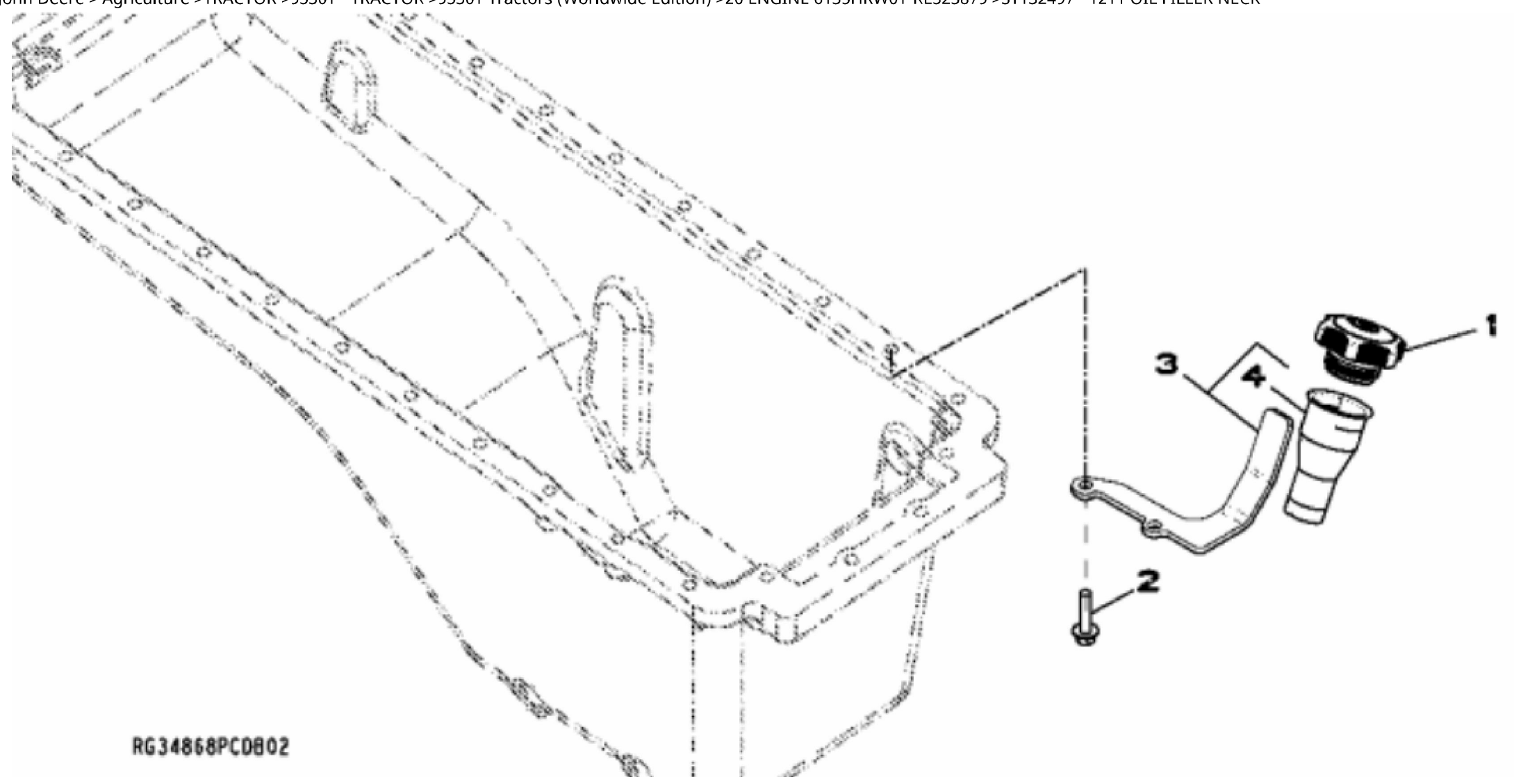
Hello dear friend!

Thank you very much for reading.

Enter the link into your browser.

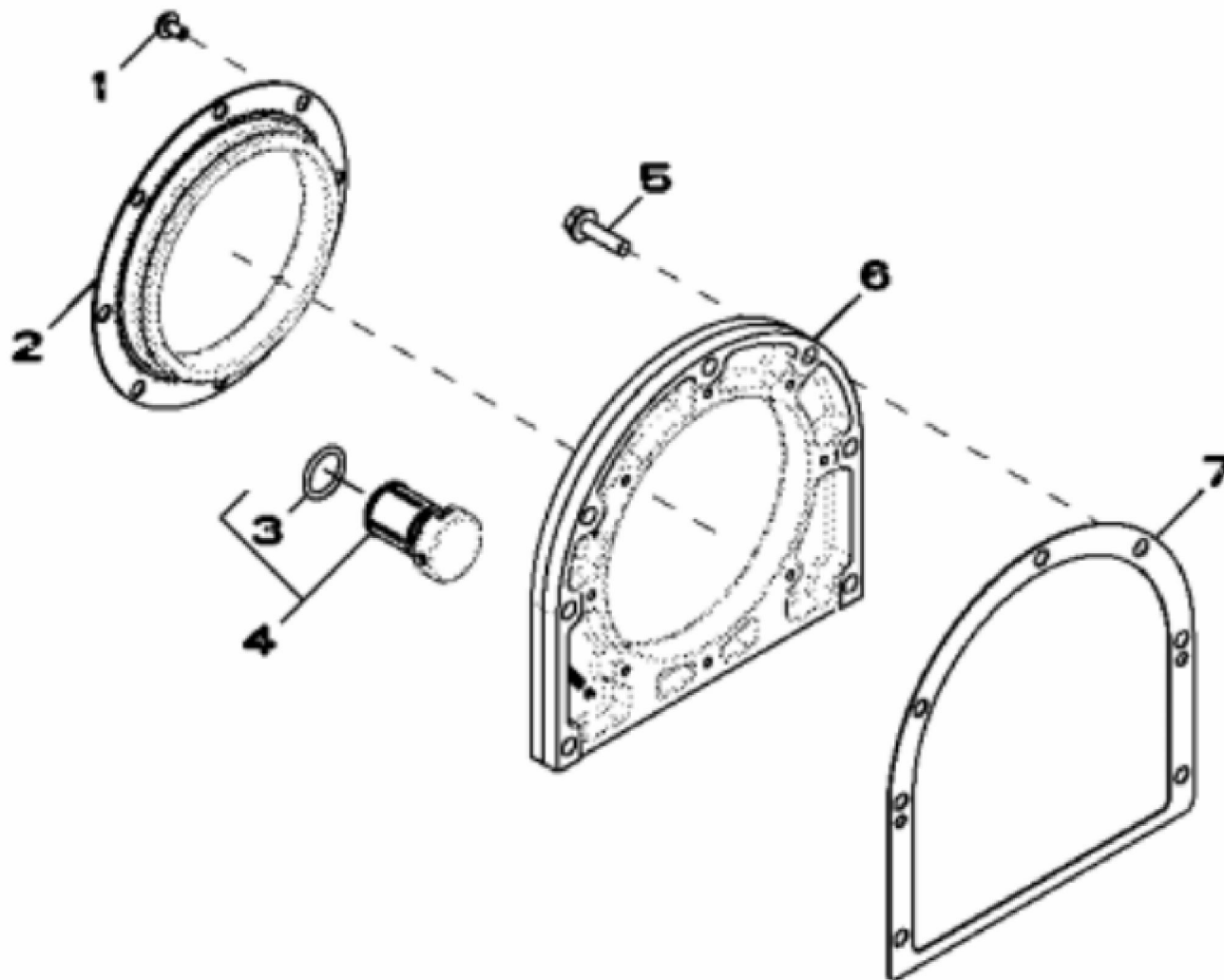
The full manual is available for immediate download.

<https://www.ebooklibonline.com>



RG34868PC0802

| KEY | PART NO. | PART NAME | QTY | REMARKS | |
|-----|----------|---------------|-----|--------------------|--|
| 1 | RE535517 | FILLER CAP | 1 | (Sub For RE500250) | |
| 2 | 19M7804 | SCREW | 2 | M10 X 40 | |
| 3 | RE201564 | BRACKET | 1 | | |
| 4 | R120801 | DIPSTICK TUBE | 1 | | |



RG23915PCDF 02



Suggest:

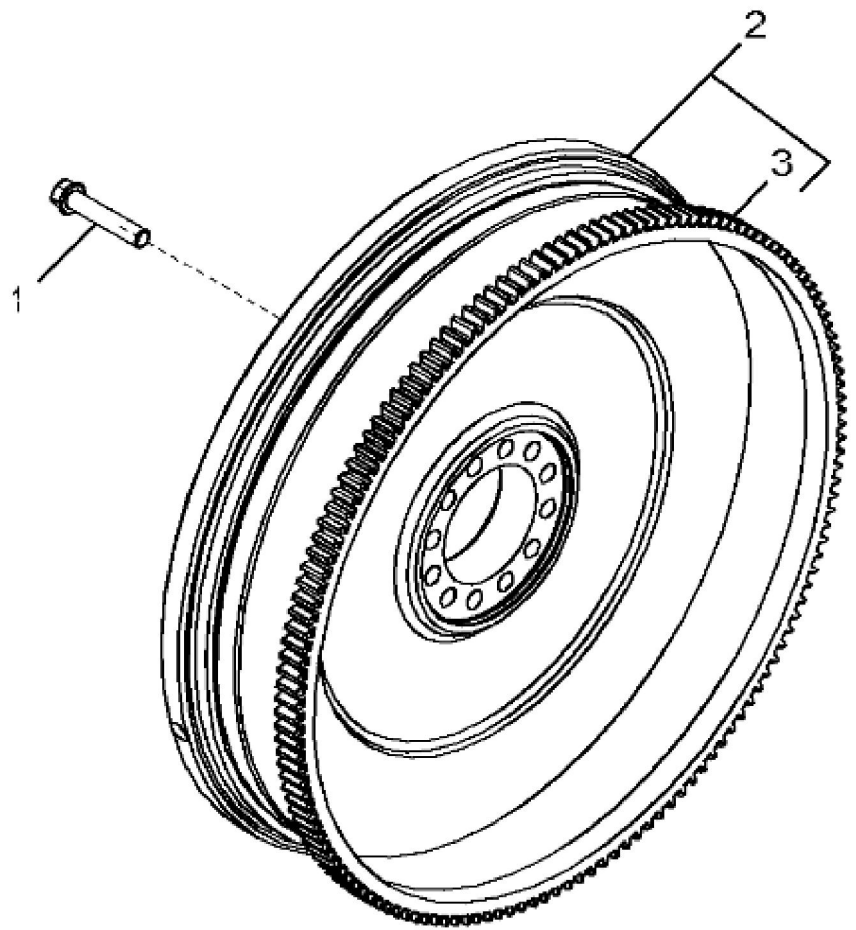
For more complete manuals. Please go to the home page.

<https://www.ebooklibonline.com>

If the above button click is invalid. Please download this document first, and then click the above link to download the complete manual.

Thank you so much for reading

| KEY | PART NO. | PART NAME | QTY | REMARKS | |
|-----|----------|-----------|-----|------------------|--|
| 1 | R522160 | SCREW | 8 | | |
| 2 | RE53687 | SEAL | 1 | | |
| 3 | R27149 | O-RING | 1 | | |
| 4 | AR61533 | PLUG | 1 | | |
| 5 | 19M7868 | SCREW | 7 | M8 X 30 | |
| 6 | R116338 | HOUSING | 1 | | |
| 7 | R520512 | GASKET | 1 | (Sub For R35043) | |



1518_RG25655_PCD

<https://www.ebooklibonline.com>

Hello dear friend!

Thank you very much for reading.

Enter the link into your browser.

The full manual is available for immediate download.

<https://www.ebooklibonline.com>