



KEY	PART NO.	PART NAME	QTY	Engine Serial No.	REMARKS
1	.....	CYLINDER LINER	1		ORDER RE530808
2	RE559262	PISTON-LINER KIT	1		SUB FOR RE530808
3	RE547712	O-RING KIT	6		
4	.....	CYLINDER BLOCK	1	____-025930	ORDER RE536259; MARKED R524714; USE WITH RE530817 200 mm
4	.....	CYLINDER BLOCK	1	025931-____	ORDER RE536259; MARKED R524714; USE WITH RE541424 225 mm
5	T21937	PLUG	2		
6	15H690	PIPE PLUG	1		3/4", SUB FOR RE501736
7	R502753	PLUG	2		
8	15H685	PIPE PLUG	2		1/4"
9	AT107509	PLUG	1		
10	R518501	BEARING CAP	6		(Main)
11	R518579	CAP SCREW	14		
12	R518573	BEARING CAP	1		(Thrust)
13	R116466	PLUG	1		
14	R535114	SHIM	6		

**<https://www.ebooklibonline.com>**

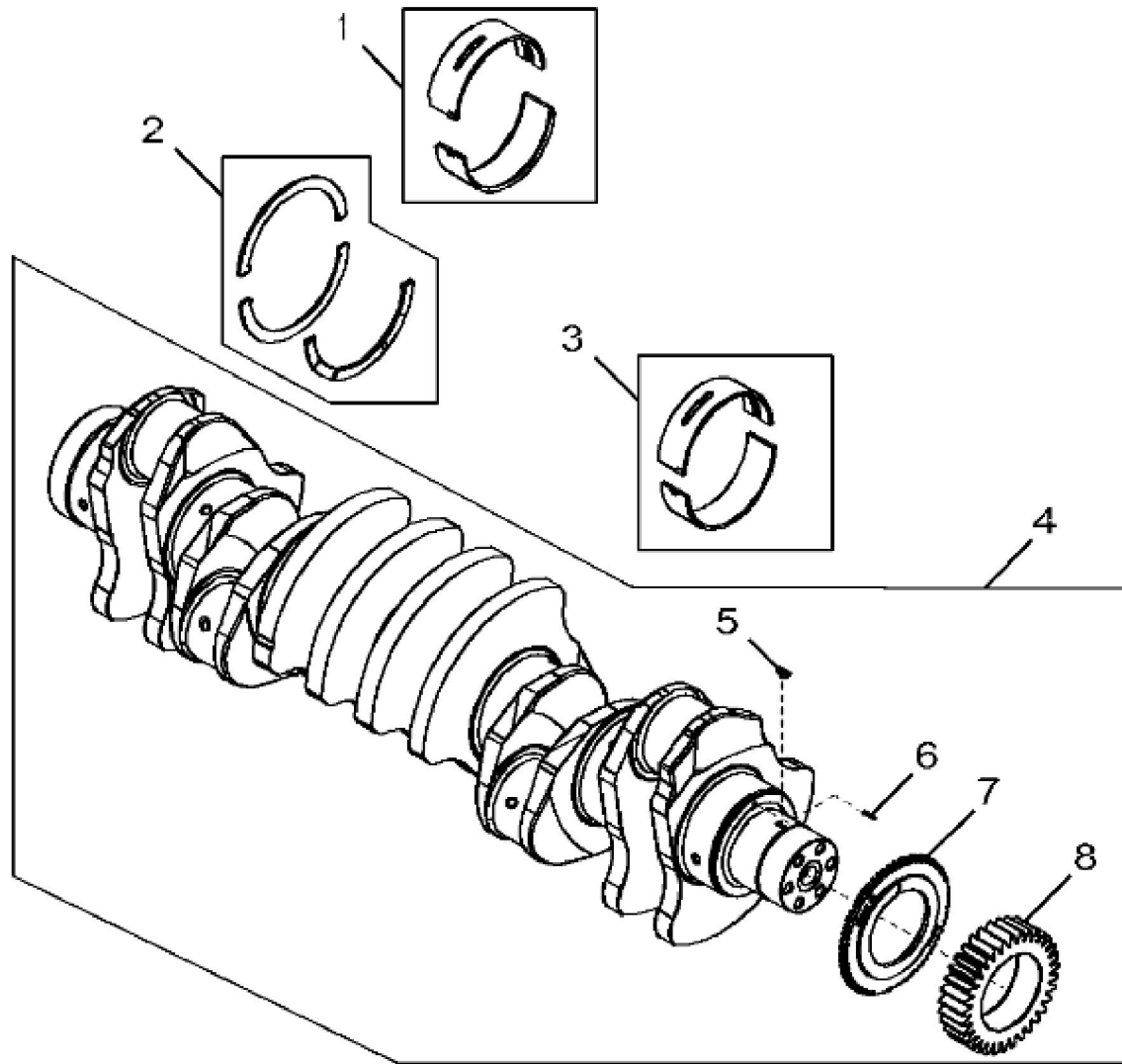
Hello dear friend!

Thank you very much for reading.

Enter the link into your browser.

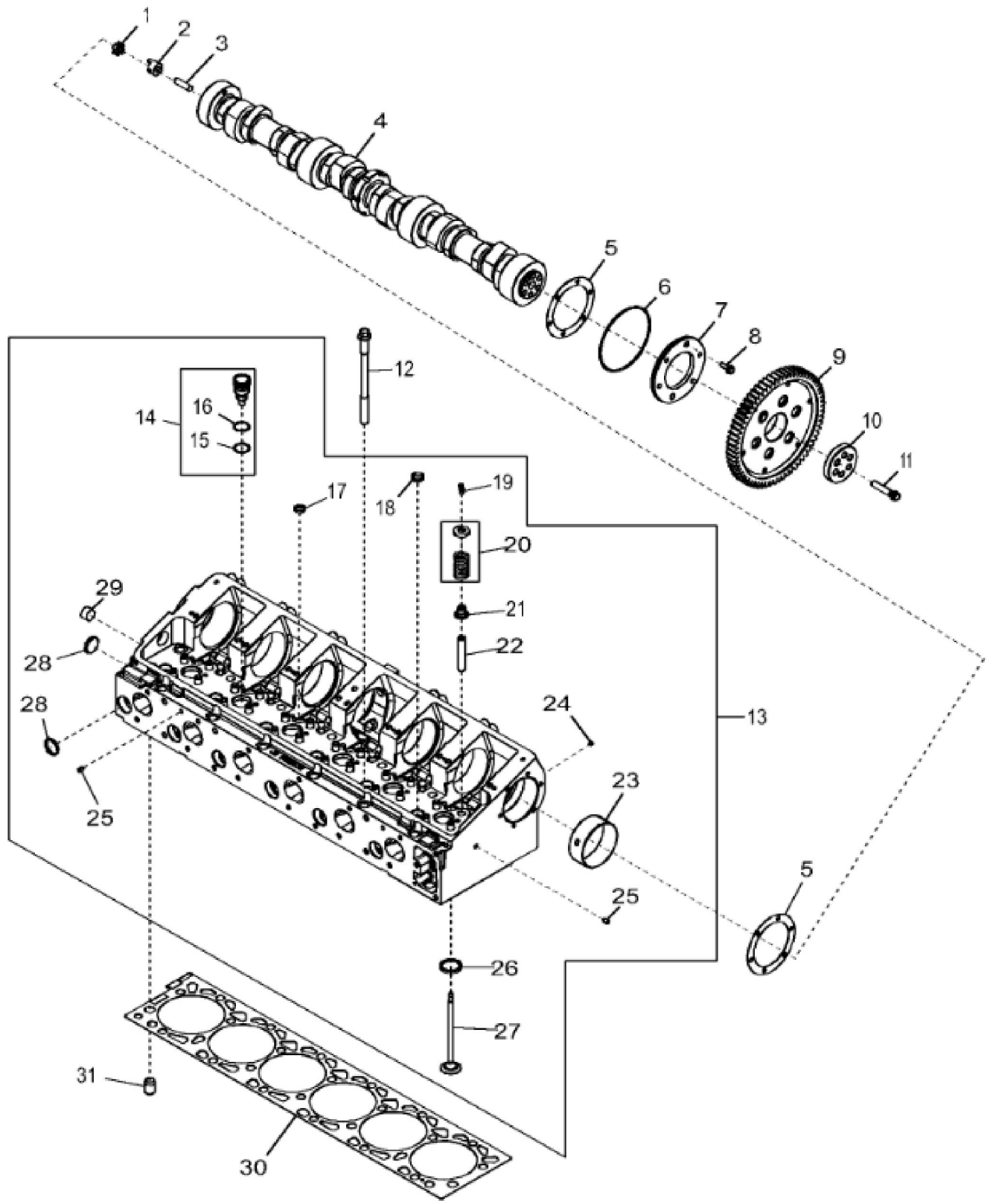
The full manual is available for immediate download.

**<https://www.ebooklibonline.com>**



4702\_RE524029\_PCD

KEY	PART NO.	PART NAME	QTY	REMARKS	
1	RE530786	BEARING KIT	1	MARKED R517069 AND R517070	
2	RE530885	WASHER KIT	1	MARKED R520586	
3	RE530785	BEARING KIT	6	MARKED R517068 AND R517065	
4	RE522871	CRANKSHAFT	1		
4	SE501664	CRANKSHAFT REMAN	1	REMAN FOR RE522871	
5	26M4224	SHAFT KEY	1	4 X 16 mm	
6	34M7129	SPRING PIN	1	3 X 16 mm	
7	R122377	WHEEL SPEED SENSOR	1		
8	R529684	GEAR	1		





**Suggest:**

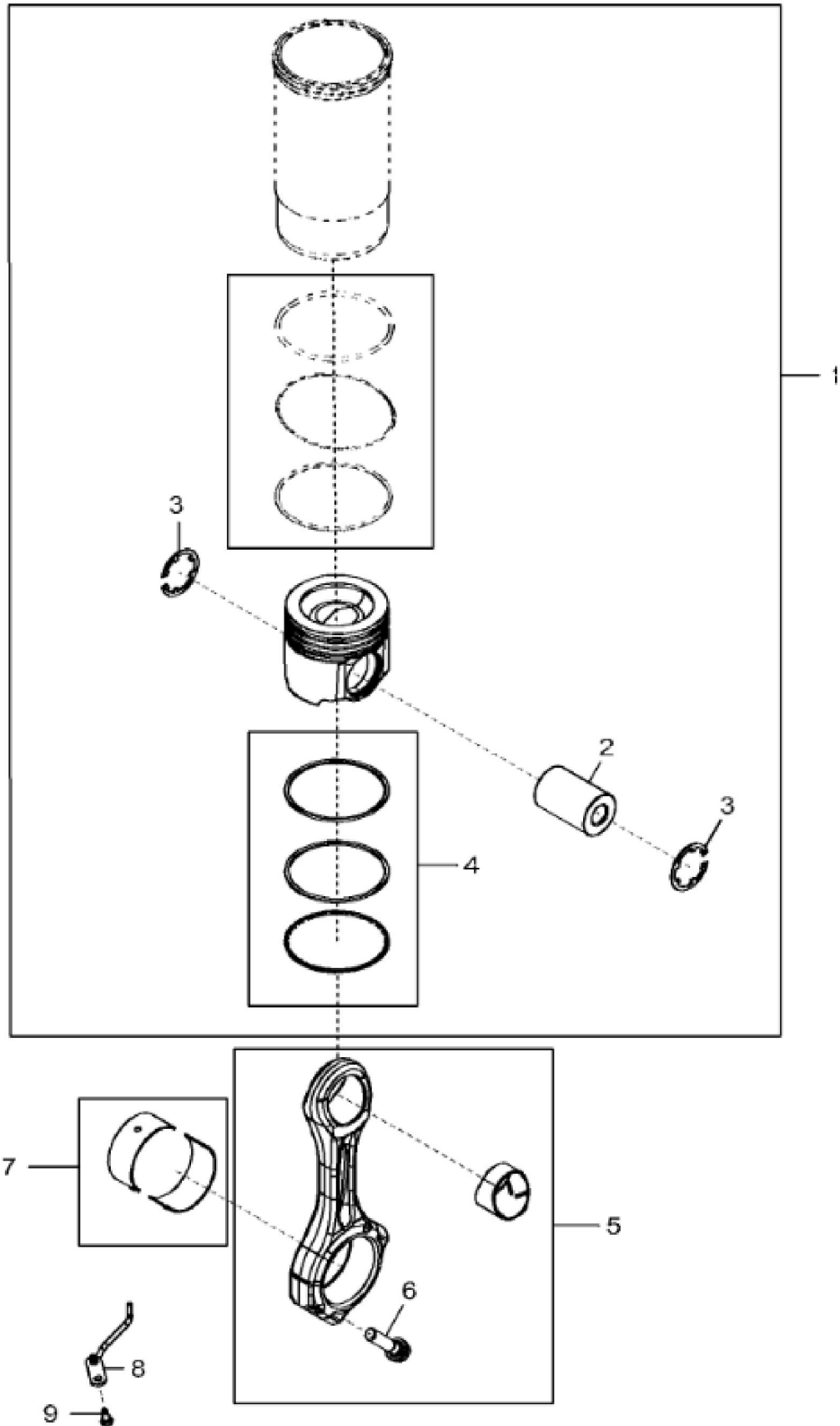
**For more complete manuals. Please go to the home page.**

**<https://www.ebooklibonline.com>**

**If the above button click is invalid. Please download this document first, and then click the above link to download the complete manual.**

**Thank you so much for reading**

KEY	PART NO.	PART NAME	QTY	Engine Serial No.	REMARKS
1	R545594	SPIDER	1		SUB FOR R502027
2	R117021	COUPLING	1		
3	R117020	SHAFT	1		
4	R523162	CAMSHAFT	1		
4	SE502274	CAMSHAFT REMAN	1		REMAN FOR R523162
5	R541154	GASKET	2		SUB FOR R500211
6	R62976	O-RING	1		
7	R119158	RING	1		
8	19M7867	SCREW	6		M8 X 25
9	R529655	GEAR	1		SUB FOR R116526
10	R526517	SPACER	1		
11	R114083	SCREW	6		
12	RE530817	BOLT KIT	1	____-025930	LGTH = 200 mm
12	RE541424	BOLT KIT	1	025931-____	LGTH = 225 mm
13	RE542776	CYLINDER HEAD	1		MARKED R525711
13	SE502698	CYLINDER HEAD REMAN	1		REMAN FOR RE542776
14	RE531334	SLEEVE	1		
15	T122075	O-RING	1		
16	R516443	O-RING	1		
17	T21937	PLUG	6		
18	N102039	PLUG	6		
19	R520798	RETAINER	48		
20	RE505499	SPRING KIT	24		
21	RE523985	SEAL	24		
22	R517011	SLEEVE	24		
23	R532008	BUSHING	4		SUB FOR R522284
24	AT107509	PLUG	1		
25	R524857	PLUG	3		
26	R518327	VALVE SEAT INSERT	24		
27	R518328	VALVE	24		
28	M1206T	PLUG	5		
29	15H690	PIPE PLUG	1		3/4"
30	DZ107052	ENGINE CYLINDER HEAD GASKET	1		SUB FOR RE522278
31	R116716	BUSHING	2		



**<https://www.ebooklibonline.com>**

Hello dear friend!

Thank you very much for reading.

Enter the link into your browser.

The full manual is available for immediate download.

**<https://www.ebooklibonline.com>**