

KEY	PART NO.	PART NAME	QTY	REMARKS	
1	19M8039	SCREW	3	M8 X 80	
2	RE547702	SEALING WASHER	3	SUB FOR R524374	
2	RE547702	SEALING WASHER	3		
3	RE71265	ISOLATOR	3		
4	R523531	VALVE COVER	1	SUB FOR R524450	
5	R501292	GROMMET	2	SUB FOR R127451	
6	R116713	NEEDLE ROLLER	2		
7	R521520	GASKET	1	SUB FOR R502124	
8	RE532491	PANEL	1		
9	RE527858	SCREW	4		

**<https://www.ebooklibonline.com>**

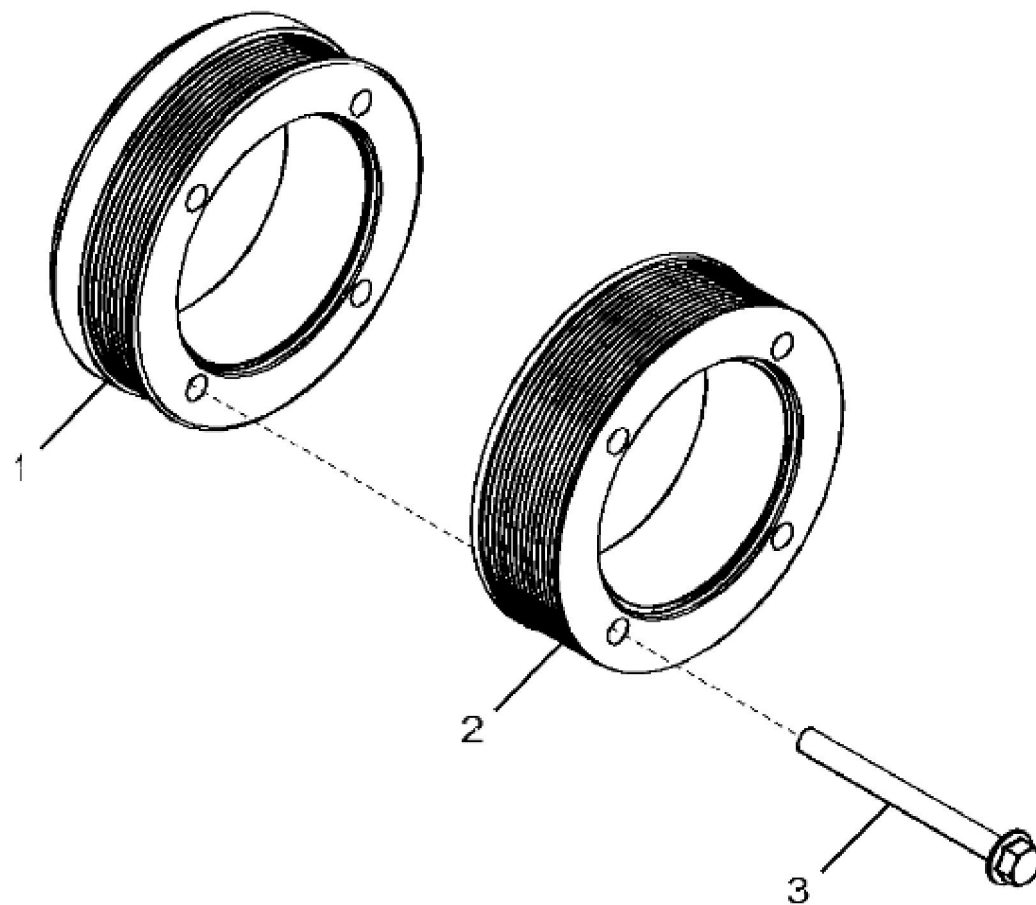
Hello dear friend!

Thank you very much for reading.

Enter the link into your browser.

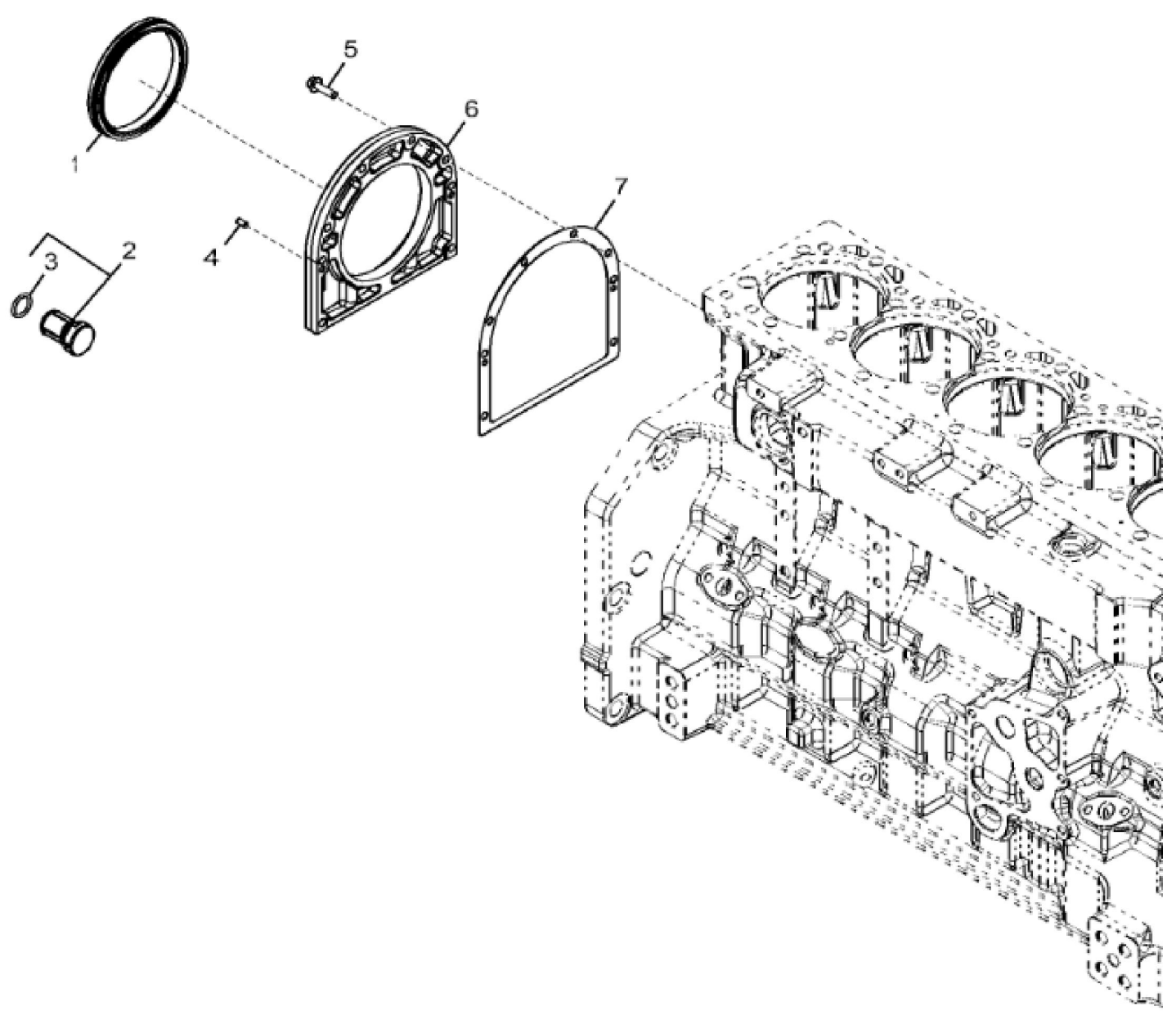
The full manual is available for immediate download.

**<https://www.ebooklibonline.com>**



1353\_RE548210\_PCD

KEY	PART NO.	PART NAME	QTY	REMARKS	
1	R533628	PULLEY	1		
2	R533656	PULLEY	1		
3	19M7838	SCREW	4	M12 X 130	





**Suggest:**

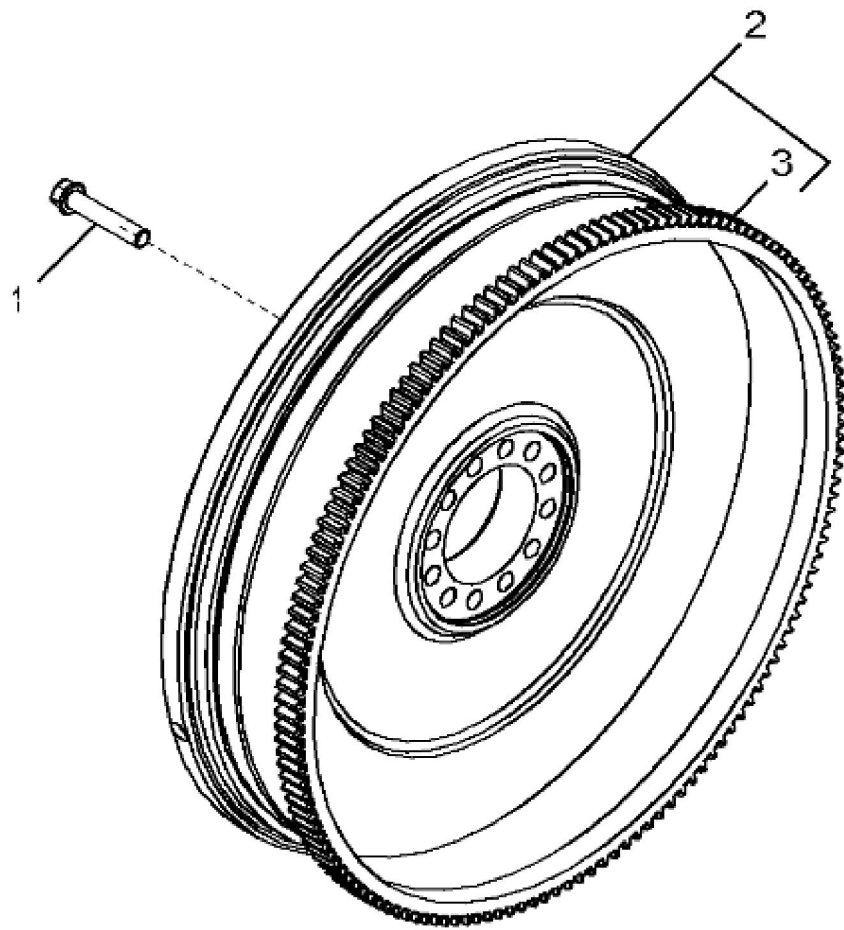
**For more complete manuals. Please go to the home page.**

**<https://www.ebooklibonline.com>**

**If the above button click is invalid. Please download this document first, and then click the above link to download the complete manual.**

**Thank you so much for reading**

KEY	PART NO.	PART NAME	QTY	REMARKS	
1	RE535552	SEAL	1		
2	AR61533	PLUG	1		
3	R27149	O-RING	1		
4	F1743R	DOWEL PIN	2		
5	19M7868	SCREW	8	M8 X 30	
6	DZ100355	HOUSING	1	MARKED DZ100356 OR DZ100355; SUB FOR R529914	
7	R530027	GASKET	1		



1518\_RG25655\_PCD

**<https://www.ebooklibonline.com>**

Hello dear friend!

Thank you very much for reading.

Enter the link into your browser.

The full manual is available for immediate download.

**<https://www.ebooklibonline.com>**