

KEY	PART NO.	PART NAME	QTY	REMARKS
1	RE537149	VALVE	1	
2	R528254	SEAL	2	
3	R532306	AIR DUCT	1	(Air Throttle Inlet) SUB FOR R531284
4	19M8039	SCREW	3	M8 X 80
5	R533667	BRACKET	1	
6	19M7970	SCREW	1	M8 X 100
7	RE540860	TEMPERATURE SENSOR	1	
8	RE258807	TIE BAND	1	
9	19M7790	SCREW	2	M12 X 35
10	R532715	BRACKET	1	
11	24M7178	WASHER	3	10.500 X 30 X 2.500 mm
12	R186227	SCREW	1	SUB FOR 19M7799
13	RE537635	TEMPERATURE SENSOR	1	
14	19M7803	SCREW	8	M8 X 70
15	R532671	GASKET	1	SUB FOR R523520
16	R530859	INTAKE MANIFOLD	1	
17	R529807	STUD	3	
18	19M8006	SCREW	3	M8 X 120
19	19M7786	SCREW	11	M10 X 30
20	RE537639	MANIFOLD AIR PRESS. SENSOR	1	
21	R528478	GASKET	1	
22	19M7866	SCREW	3	M8 X 20
23	R532048	ADAPTER	1	SUB FOR R528480
24	R528481	GASKET	1	
25	R537140	AIR DUCT	1	MARKED R537204; SUB FOR R531337
26	57M9940	ELEC. CONNECTOR ACCESSORY	1	

**<https://www.ebooklibonline.com>**

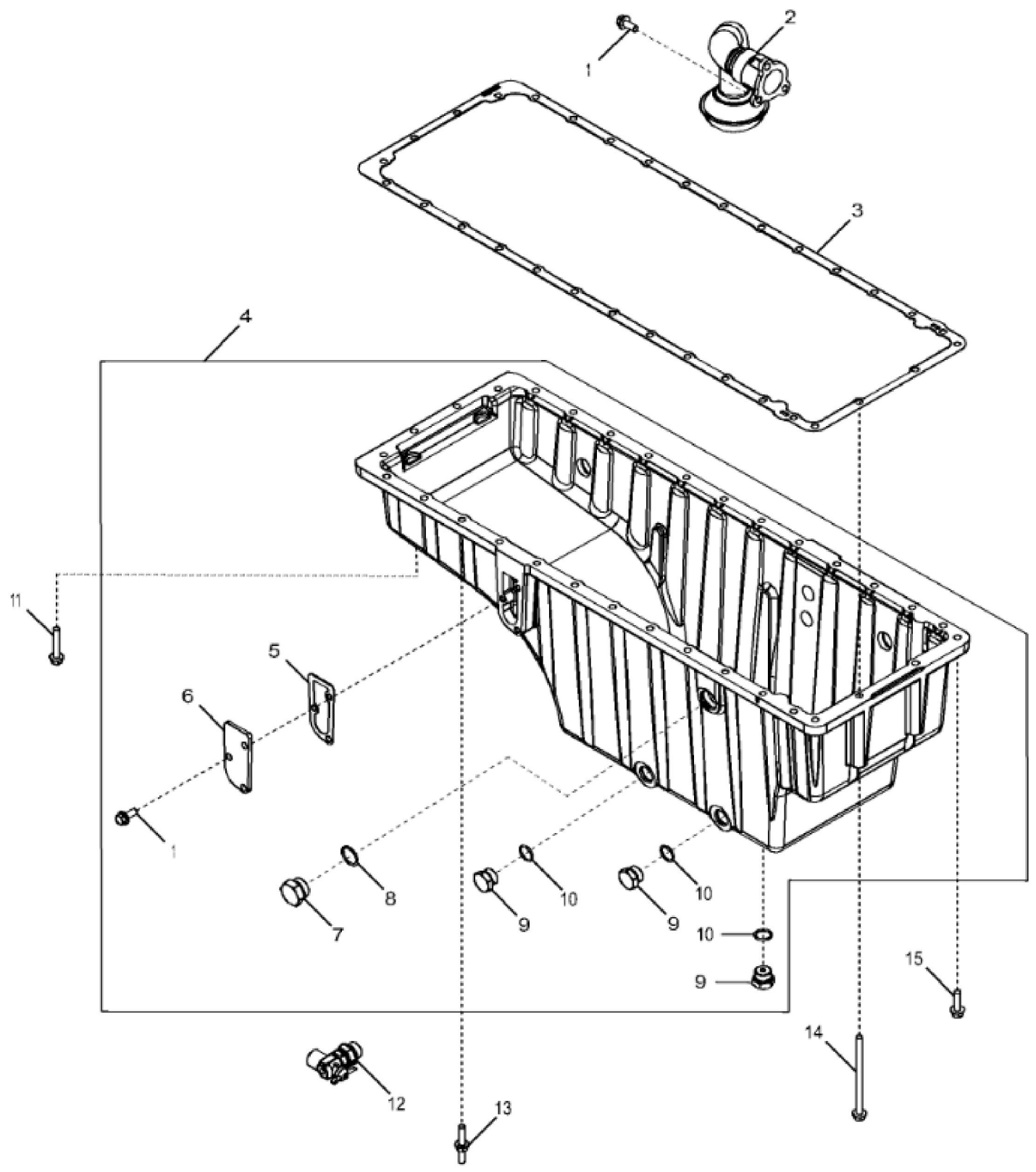
Hello dear friend!

Thank you very much for reading.

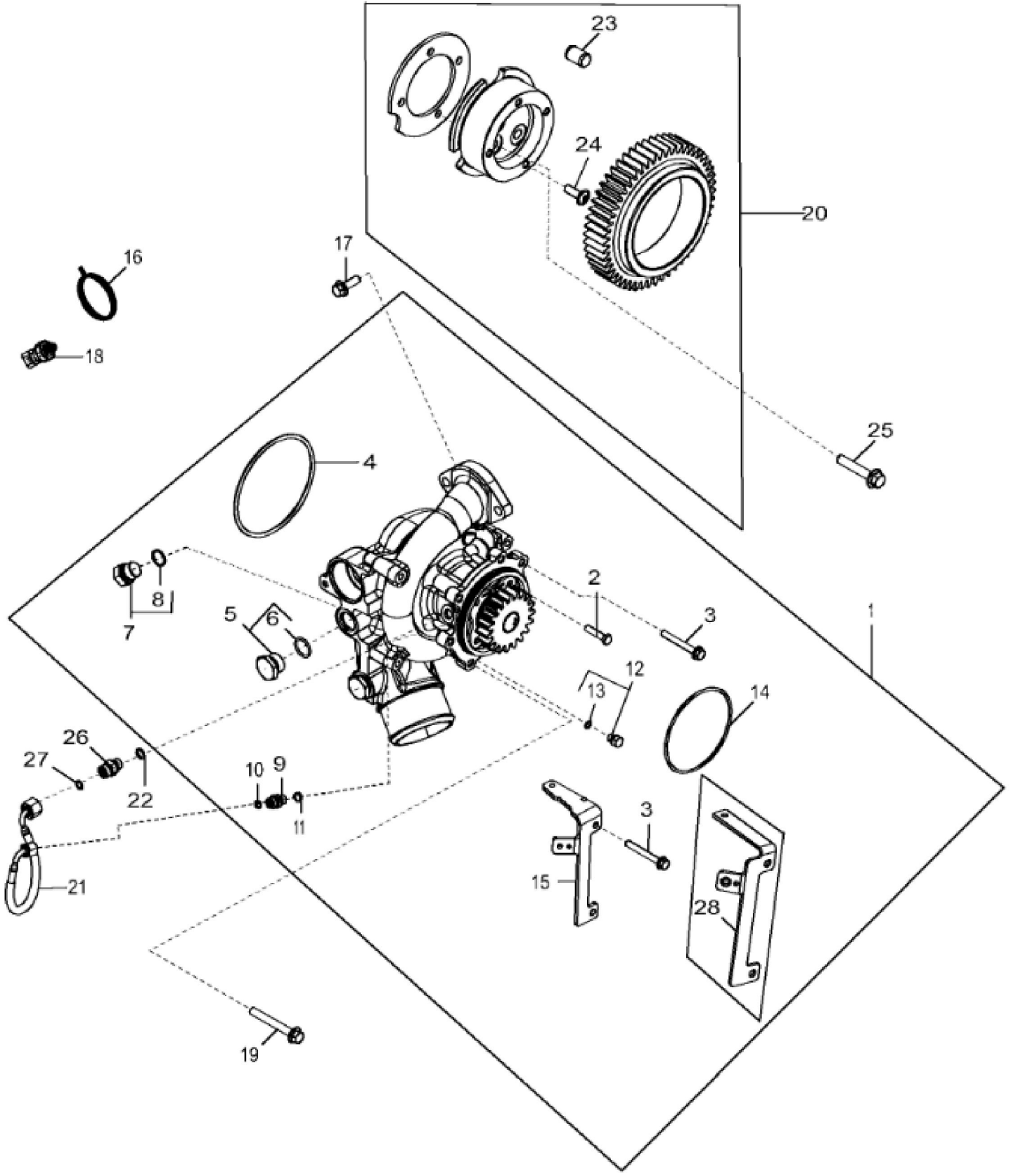
Enter the link into your browser.

The full manual is available for immediate download.

**<https://www.ebooklibonline.com>**



KEY	PART NO.	PART NAME	QTY	REMARKS	
1	19M7785	SCREW	9	M10 X 25	
2	RE539999	OIL PUMP INTAKE	1		
3	R528591	GASKET	1		
4	RE539461	OIL PAN	1	MARKED R528566; INCLUDES (6) 19M7785	
5	RE63439	GASKET	2		
6	R519285	COVER	2		
7	R36636	FITTING PLUG	3		
8	R29936	O-RING	3		
9	R27175	DRAIN PLUG	4		
10	R56751	O-RING	4		
11	19M8528	SCREW	2	M10 X 55	
12	RE509381	DRAIN VALVE	1		
13	R531391	STUD	2		
14	19M7958	SCREW	2	M10 X 150	
15	19M7835	SCREW	26	M10 X 35	





**Suggest:**

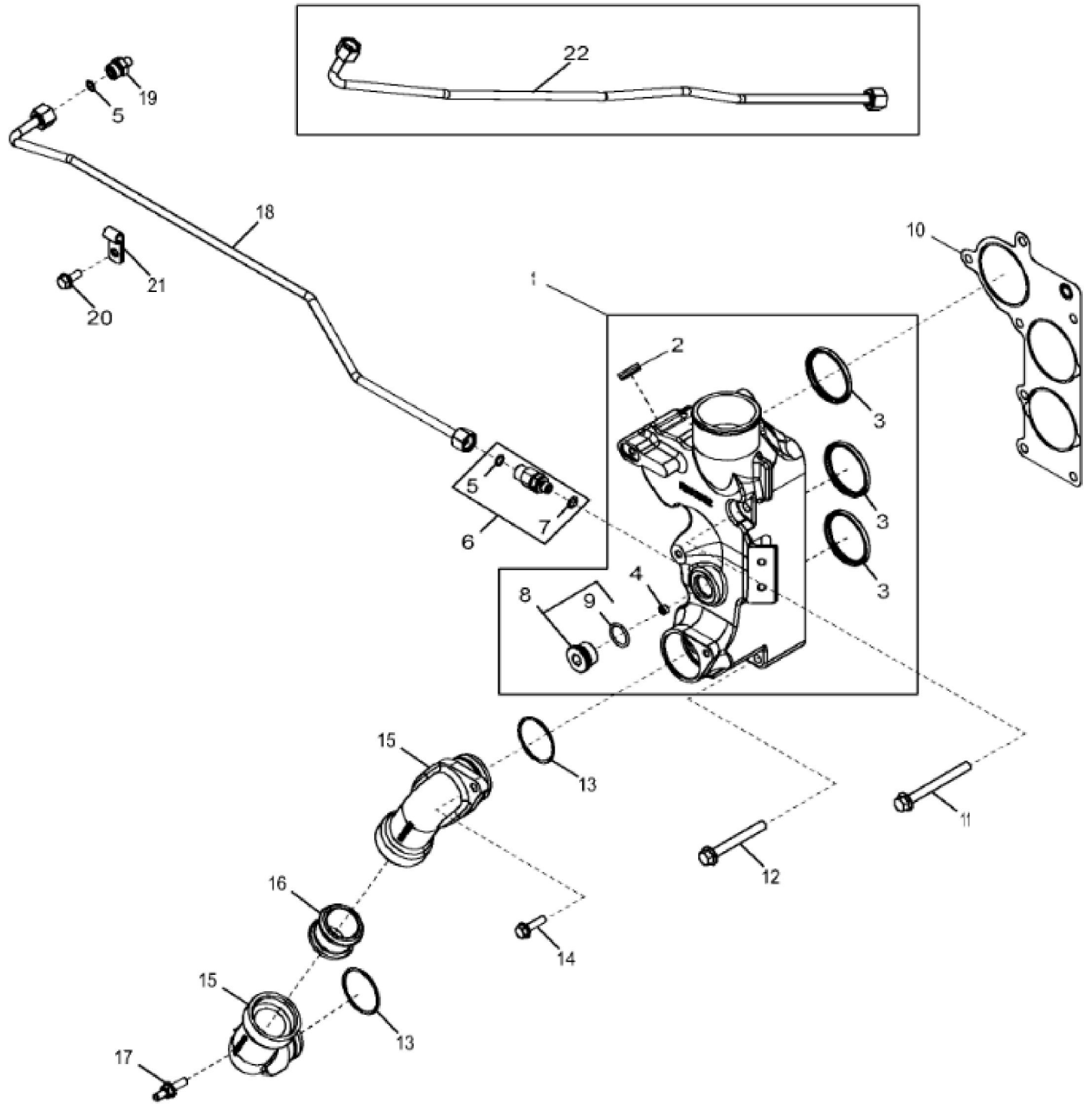
**For more complete manuals. Please go to the home page.**

**<https://www.ebooklibonline.com>**

**If the above button click is invalid. Please download this document first, and then click the above link to download the complete manual.**

**Thank you so much for reading**

KEY	PART NO.	PART NAME	QTY	REMARKS
1	RE558358	WATER PUMP	1	SUB FOR RE557276
1	SE502785	WATER PUMP REMAN	1	REMAN FOR RE558358, RE548537 AND RE557276
2	19M8008	CAP SCREW	4	M8 X 35
3	19M8987	SCREW	4	M8 X 65
4	R532585	O-RING	1	
5	R226925	DRAIN PLUG	2	
6	51M7047	O-RING	2	23.600 X 2.900 mm
7	RE46687	DRAIN PLUG	1	
8	51M7045	O-RING	1	19.300 X 2.200 mm
9	38H5001	ADAPTER FITTING	1	
10	T77814	O-RING	1	
11	51M7040	O-RING	1	9.300 X 2.200 mm
12	RE60071	FITTING	1	
13	51M7039	O-RING	1	8.100 X 1.600 mm
14	R515388	O-RING	1	
15	DZ100249	BRACKET	1	
16	R528498	SEAL	1	
17	19M7786	SCREW	2	M10 X 30
18	RE539840	PRESSURE SENSOR	1	(Coolant Pressure Sensor)
19	19M7810	SCREW	5	M10 X 80
20	RE559569	IDLER GEAR	1	SUB FOR RE548528 AND RE548321
21	RE544373	OIL LINE	1	
22	51M7095	O-RING	1	11.300 X 2.200 mm
23	44M7151	DOWEL PIN	1	20 X 30 mm
24	19M8883	SCREW	4	M10 X 30
25	R529574	CAP SCREW	3	
26	38H5002	ADAPTER FITTING	1	
27	R63548	O-RING	1	
28	RE548124	BRACKET	1	ORDER DZ100249



**<https://www.ebooklibonline.com>**

Hello dear friend!

Thank you very much for reading.

Enter the link into your browser.

The full manual is available for immediate download.

**<https://www.ebooklibonline.com>**