

KEY	PART NO.	PART NAME	QTY	REMARKS	
1	19M8039	SCREW	3	M8 X 80	
2	RE547702	SEALING WASHER	3	SUB FOR R524374	
2	RE547702	SEALING WASHER	3		
3	RE71265	ISOLATOR	3		
4	R523531	VALVE COVER	1	SUB FOR R524450	
5	R501292	GROMMET	2	SUB FOR R127451	
6	R116713	NEEDLE ROLLER	2		
7	R521520	GASKET	1	SUB FOR R502124	
8	RE532491	PANEL	1		
9	RE527858	SCREW	4		

<https://www.ebooklibonline.com>

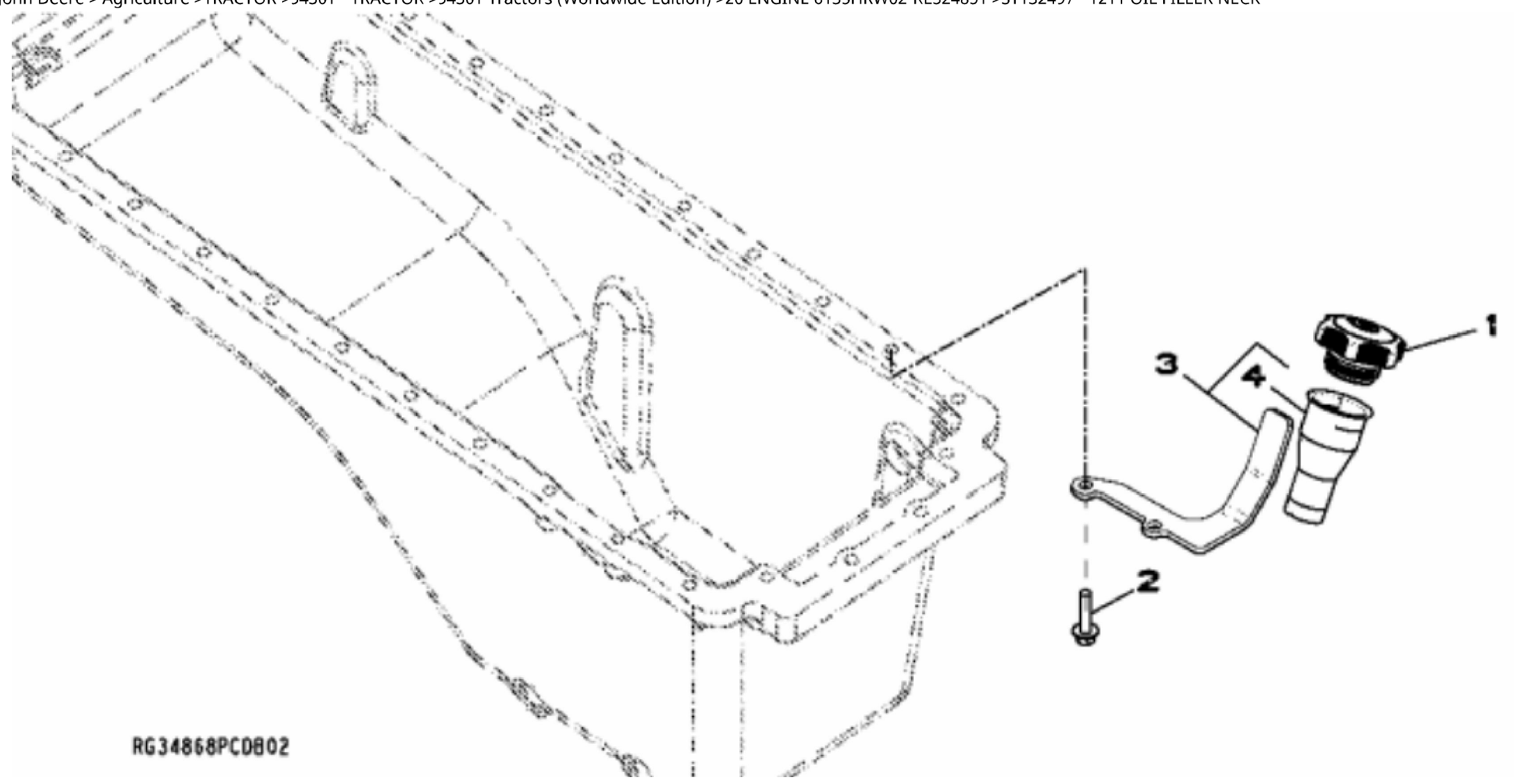
Hello dear friend!

Thank you very much for reading.

Enter the link into your browser.

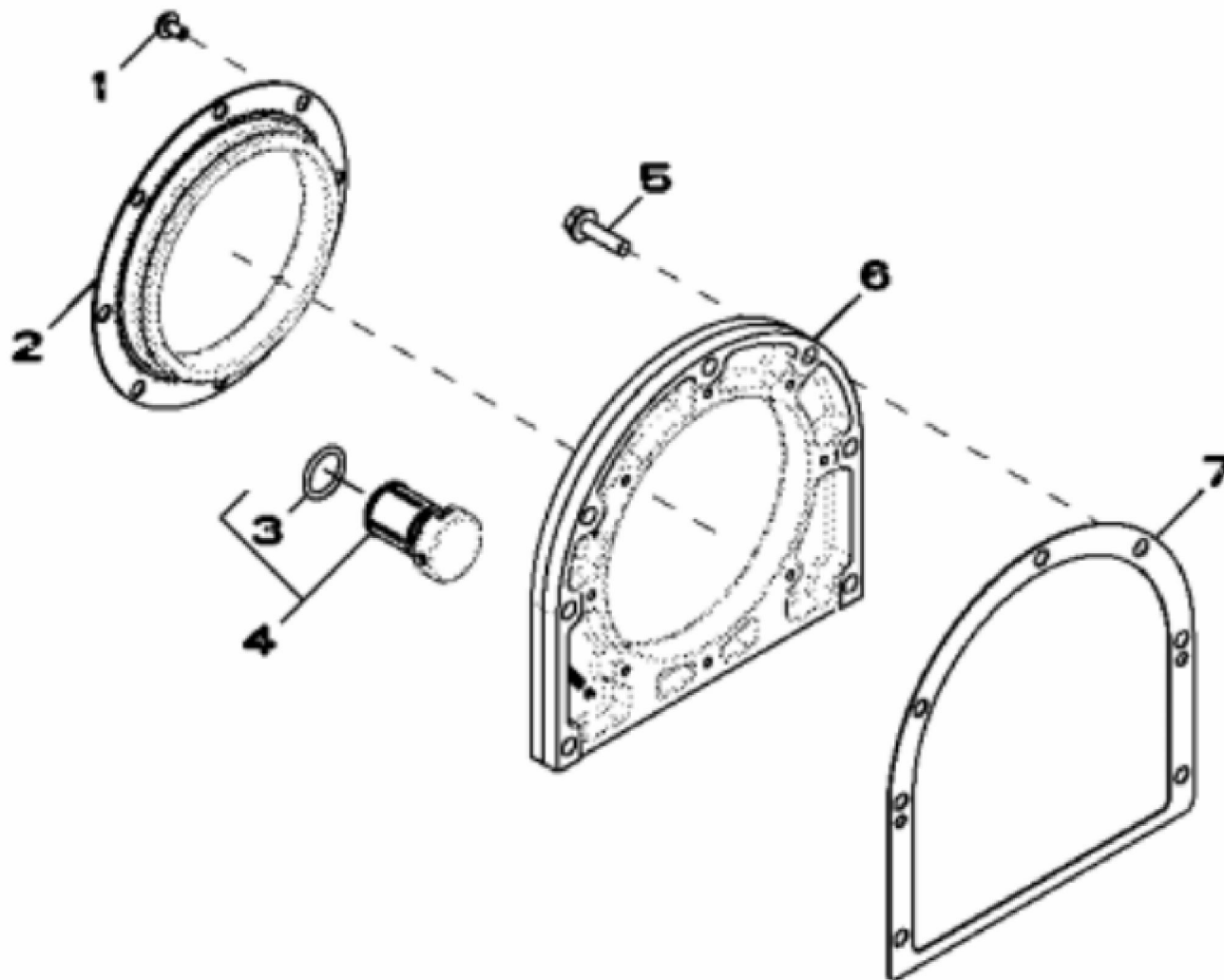
The full manual is available for immediate download.

<https://www.ebooklibonline.com>



RG34868PC0802

KEY	PART NO.	PART NAME	QTY	REMARKS	
1	RE535517	FILLER CAP	1	(Sub For RE500250)	
2	19M7804	SCREW	2	M10 X 40	
3	RE201564	BRACKET	1		
4	R120801	DIPSTICK TUBE	1		



RG23915PCDF 02



Suggest:

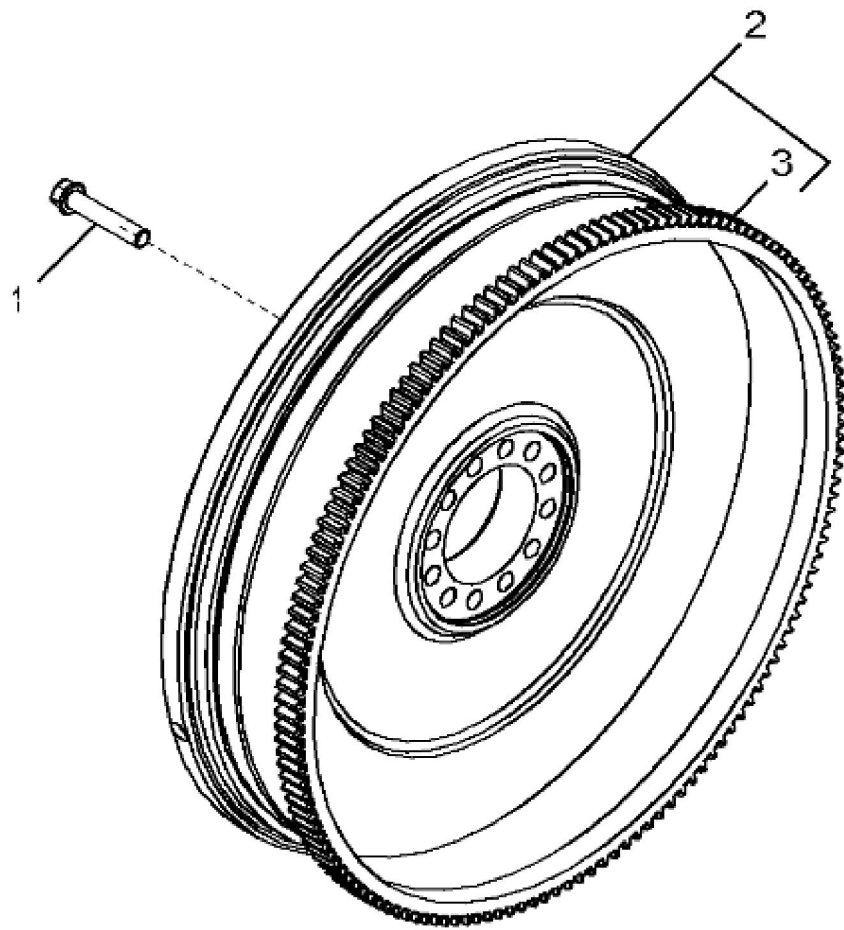
For more complete manuals. Please go to the home page.

<https://www.ebooklibonline.com>

If the above button click is invalid. Please download this document first, and then click the above link to download the complete manual.

Thank you so much for reading

KEY	PART NO.	PART NAME	QTY	REMARKS	
1	R522160	SCREW	8		
2	RE53687	SEAL	1		
3	R27149	O-RING	1		
4	AR61533	PLUG	1		
5	19M7868	SCREW	7	M8 X 30	
6	R116338	HOUSING	1		
7	R520512	GASKET	1	(Sub For R35043)	



1518_RG25655_PCD

<https://www.ebooklibonline.com>

Hello dear friend!

Thank you very much for reading.

Enter the link into your browser.

The full manual is available for immediate download.

<https://www.ebooklibonline.com>