

KEY	PART NO.	PART NAME	QTY	Engine Serial No.	REMARKS
1	CYLINDER LINER	1		ORDER RE530808
2	RE559262	PISTON-LINER KIT	1		SUB FOR RE530808
3	RE547712	O-RING KIT	6		
4	CYLINDER BLOCK	1	____-025930	ORDER RE536259; MARKED R524714; USE WITH RE530817 200 mm
4	CYLINDER BLOCK	1	025931-____	ORDER RE536259; MARKED R524714; USE WITH RE541424 225 mm
5	T21937	PLUG	2		
6	15H690	PIPE PLUG	1		3/4", SUB FOR RE501736
7	R502753	PLUG	2		
8	15H685	PIPE PLUG	2		1/4"
9	AT107509	PLUG	1		
10	R518501	BEARING CAP	6		(Main)
11	R518579	CAP SCREW	14		
12	R518573	BEARING CAP	1		(Thrust)
13	R116466	PLUG	1		
14	R535114	SHIM	6		

<https://www.ebooklibonline.com>

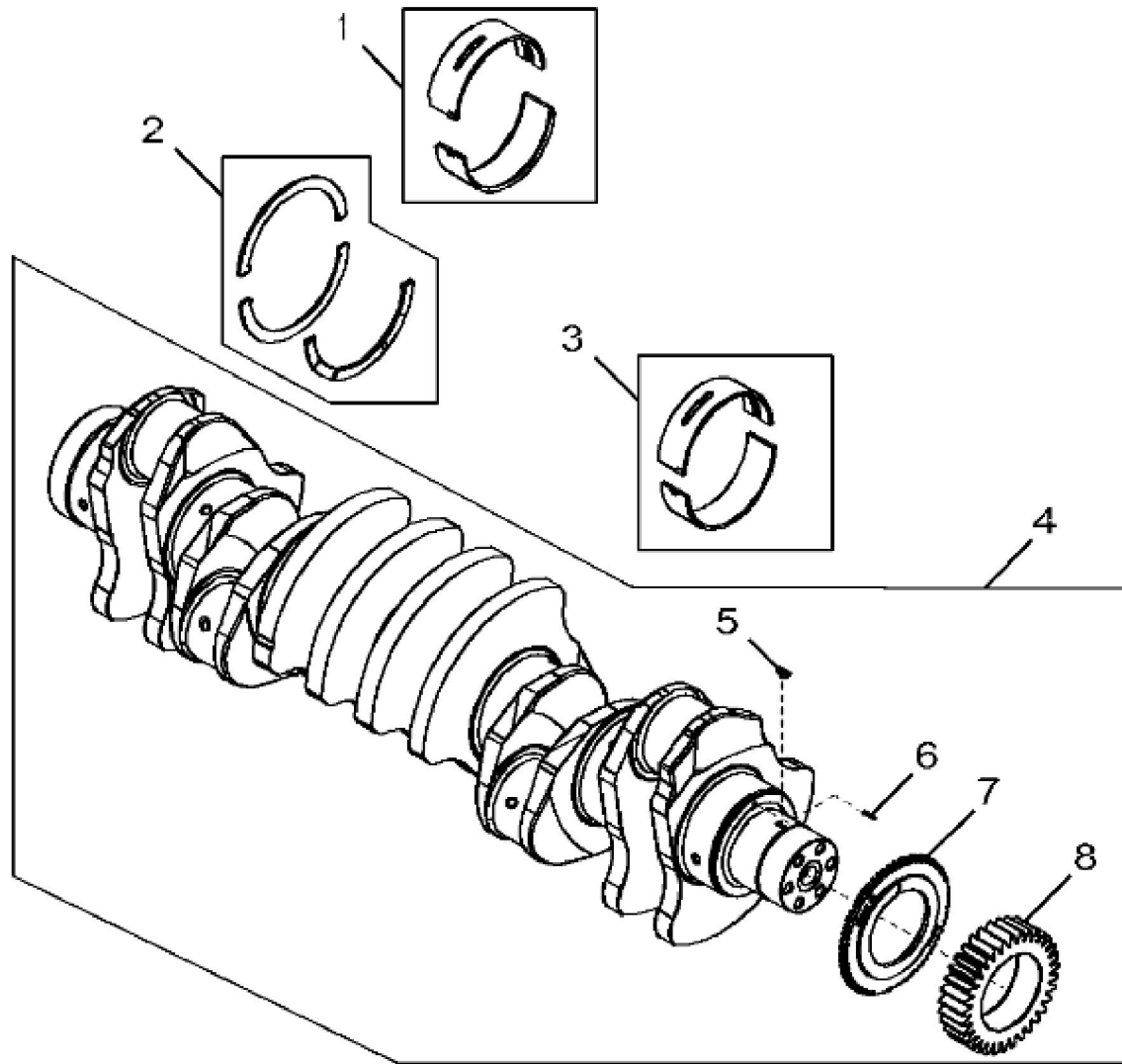
Hello dear friend!

Thank you very much for reading.

Enter the link into your browser.

The full manual is available for immediate download.

<https://www.ebooklibonline.com>



4702_RE524029_PCD

KEY	PART NO.	PART NAME	QTY	REMARKS	
1	RE530786	BEARING KIT	1	MARKED R517069 AND R517070	
2	RE530885	WASHER KIT	1	MARKED R520586	
3	RE530785	BEARING KIT	6	MARKED R517068 AND R517065	
4	RE522871	CRANKSHAFT	1		
4	SE501664	CRANKSHAFT REMAN	1	REMAN FOR RE522871	
5	26M4224	SHAFT KEY	1	4 X 16 mm	
6	34M7129	SPRING PIN	1	3 X 16 mm	
7	R122377	WHEEL SPEED SENSOR	1		
8	R529684	GEAR	1		



Suggest:

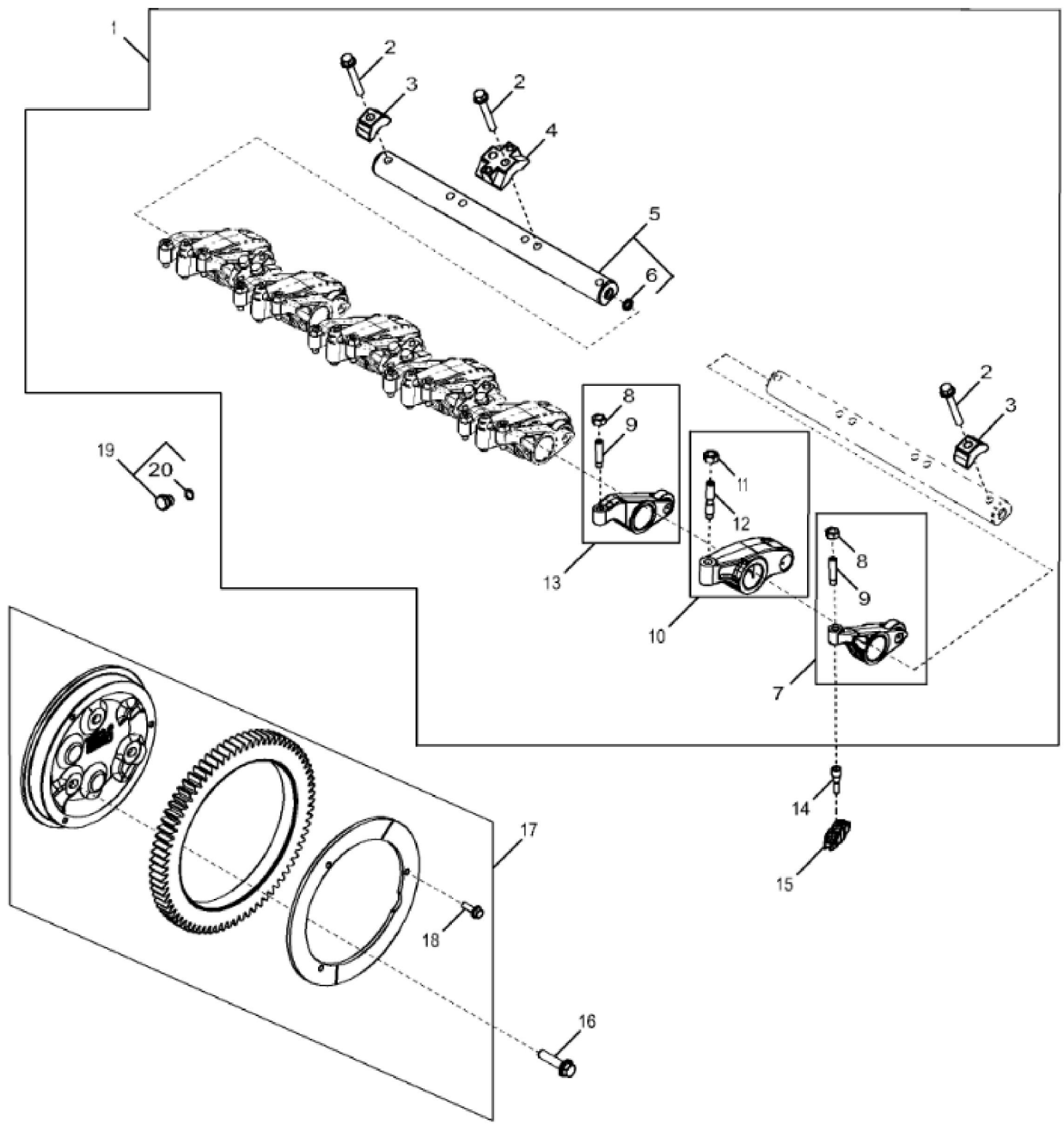
For more complete manuals. Please go to the home page.

<https://www.ebooklibonline.com>

If the above button click is invalid. Please download this document first, and then click the above link to download the complete manual.

Thank you so much for reading

KEY	PART NO.	PART NAME	QTY	REMARKS	
1	RE559262	PISTON-LINER KIT	6	PISTON MARKED R517128; SUB FOR RE530808	
2	DZ101960	PISTON PIN	6	SUB FOR R517149	
3	40M7313	SNAP RING	12		
4	RE530474	PISTON RING KIT	1		
5	RE535966	CONNECTING ROD	6	SUB FOR RE518803	
5	SE502276	CONNECTING ROD REMAN	AR	REMAN FOR RE535966	
6	R501380	CAP SCREW	2		
7	RE562584	BEARING KIT	6	KIT; R517067 AND R534189	
7	RE531768	BEARING KIT	6	0.25 mm; US, KIT; R524610 AND R524613	
7	RE531769	BEARING KIT	6	0.50 mm; US, KIT; R524611 AND R524614	
8	RE529378	NOZZLE	6	SUB FOR RE519326	
9	RE530324	SELF-LOCKING SCREW	6	SUB FOR RE522608	



<https://www.ebooklibonline.com>

Hello dear friend!

Thank you very much for reading.

Enter the link into your browser.

The full manual is available for immediate download.

<https://www.ebooklibonline.com>