

RG25769PCDB02

KEY	PART NO.	PART NAME	QTY	Engine Serial No.	REMARKS
1	RE519111	PISTON-LINER KIT	6		CODE 9902
2	AR72351	O-RING KIT	6		
3	15H690	PIPE PLUG	1		3/4"
4	T11370	ELBOW FITTING	1		
5	R51133	FITTING	1		
6	R502753	PLUG	2		
7	15H685	PIPE PLUG	2		1/4"
8	R116639	BEARING CAP	1	____-045313	(Thrust) (Use With Cylinder Block Marked Number in Remarks) USE WITH R502884; THRUST
8	R518573	BEARING CAP	1	045314-____	(Thrust) (Use With Cylinder Block Marked Number in Remarks) USE WITH R518736, R522822 OR R526650; THRUST
9	R116640	SCREW	14	____-045313	(Use With Cylinder Block Marked Number in Remarks) USE WITH R502884
9	R518579	CAP SCREW	14	045314-____	(Use With Cylinder Block Marked Number in Remarks) USE WITH R518736, R522822 OR R526650
10	R116638	BEARING CAP	6	____-045313	(Main) (Use With Cylinder Block Marked Number in Remarks) USE WITH R502884; MAIN
10	R518501	BEARING CAP	6	045314-____	(Main) (Use With Cylinder Block Marked Number in Remarks) USE WITH R518736, R522822 or R526650; MAIN
11	R116466	PLUG	1		
12	T21937	PLUG	1		
13	CYLINDER BLOCK	1		R502884, R518736, R522822 or R526650; NSEP
14	AT13740	DRAIN VALVE	1		

<https://www.ebooklibonline.com>

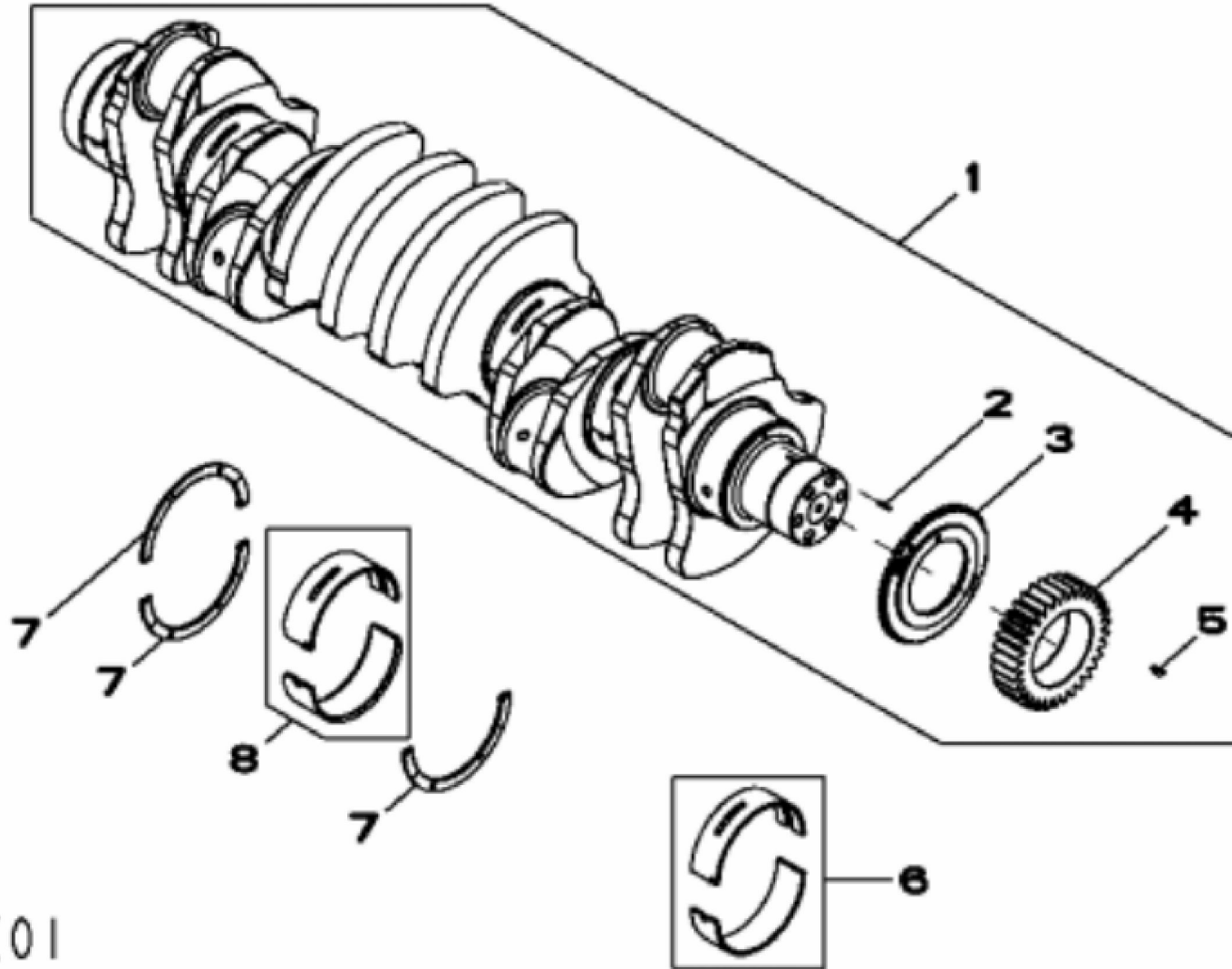
Hello dear friend!

Thank you very much for reading.

Enter the link into your browser.

The full manual is available for immediate download.

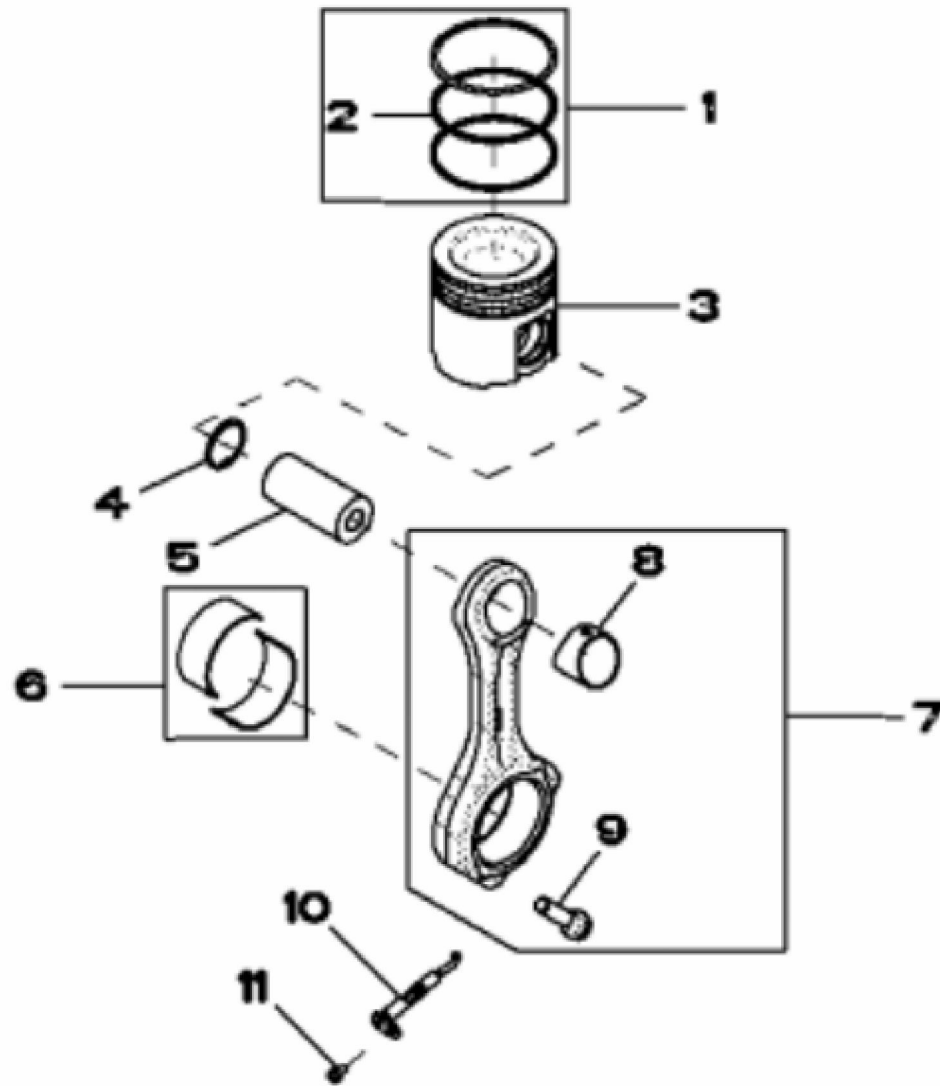
<https://www.ebooklibonline.com>



RG30417PCDE01

John Deere > Agriculture > TRACTOR > 9620 - TRACTOR > 9120, 9220, 9320, 9420, 9520 and 9620 Tractors (Worldwide Edition) > 19 ENGINE 6125HRW13-RG30343 > ST439749 - 4701 CRANKSHAFT AND BEARINGS

KEY	PART NO.	PART NAME	QTY	Engine Serial No.	REMARKS
1	RE51761	CRANKSHAFT	1	____-053079	(MARKED R116068) (SUB RE522871 AND RE523266)
1	RE522871	CRANKSHAFT	1	053080-____	(MARKED R519559)
1	SE501664	CRANKSHAFT REMAN	1		(With Bearings) (REMAN FOR RE522871)
2	34M7129	SPRING PIN	1		3 X 16 mm
3	R122377	WHEEL SPEED SENSOR	1		
4	R116330	GEAR	1	____-053079	(USE WITH RE51761)
4	R519560	GEAR	1	053080-____	(USE WITH RE522871)
5	26M4224	SHAFT KEY	1		4 X 16 mm
6	RE63903	BEARING	6		(MARKED R129749 OR R129750) MAIN
7	RE530885	WASHER KIT	1		STD (MARKED R520586 OR R116299) (SUB FOR RE63906)
7	RE531770	THRUST WASHER	1		US 0.18MM, (MARKED (2) R133599, R116299, (2) R524653 OR R520586) (SUB FOR RE68659)
8	RE530786	BEARING KIT	1		(MARKED R129751, R129752, R517069 OR R517070) (SUB FOR RE63905) THRUST



RG30732PCDE03



Suggest:

For more complete manuals. Please go to the home page.

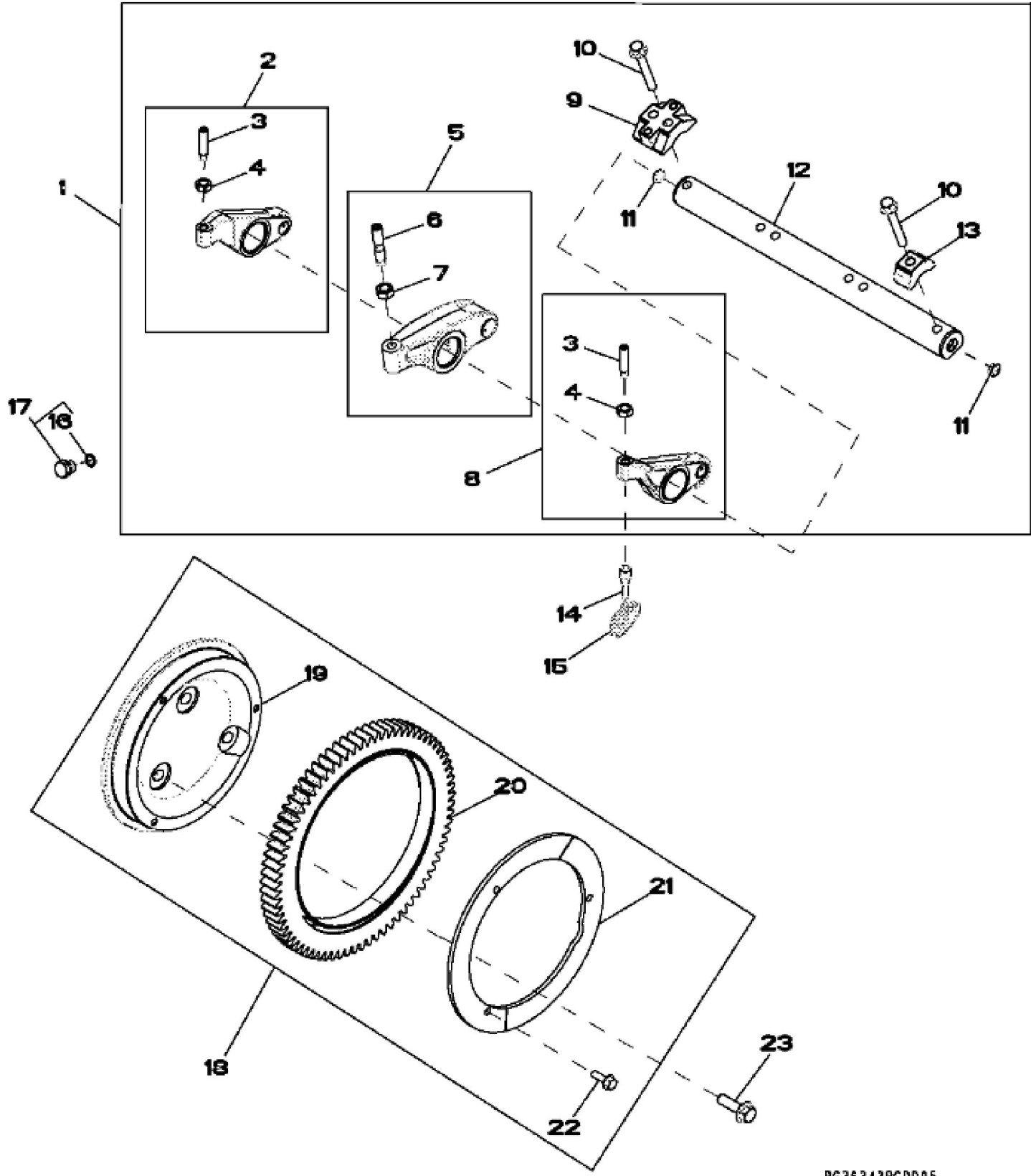
<https://www.ebooklibonline.com>

If the above button click is invalid. Please download this document first, and then click the above link to download the complete manual.

Thank you so much for reading

John Deere > Agriculture >TRACTOR >9620 - TRACTOR >9120, 9220, 9320, 9420, 9520 and 9620 Tractors (Worldwide Edition) >19 ENGINE 6125HRW13-RG30343 >ST439750 - 4802 CONNECTING RODS AND PISTONS

KEY	PART NO.	PART NAME	QTY	REMARKS
1	RE515941	PISTON RING KIT	6	
2	RE504630	PISTON RING KIT	1	
3	RE519111	PISTON-LINER KIT	6	
4	N51168	SNAP RING	12	
5	R64451	PISTON PIN	6	
6	RE530787	BEARING KIT	6	
7	RE535965	CONNECTING ROD	6	SUB FOR RE532355
7	SE502394	CONNECTING ROD REMAN	AR	REMAN FOR RE535965
7	RE532355	CONNECTING ROD	6	ORDER RE535965
7	SE501726	CONNECTING ROD REMAN	AR	REMAN FOR RE532355
8	R69045	BUSHING	1	
9	R501380	CAP SCREW	2	
10	RE503567	JET	6	
11	R130091	SCREW	6	



RG36343PCDD05

<https://www.ebooklibonline.com>

Hello dear friend!

Thank you very much for reading.

Enter the link into your browser.

The full manual is available for immediate download.

<https://www.ebooklibonline.com>