

KEY	PART NO.	PART NAME	QTY	Engine Serial No.	9200	9300	9400	REMARKS	
1	19M8039	SCREW	3		X	X	X	M8 X 80	
2	RE71265	ISOLATOR	3		X	X	X	(SUB FOR RE55812)	
3	R120467	ELBOW FITTING	1		X	X	X		
4	TY22467	CLAMP	1		X	X	X		
5	R130134	HOSE	1		X	X	X		
6	R72328	O-RING	1		X	X	X		
7	R116843	VALVE COVER	1	____-014582	X	X	X	(SUB R505450 AND R502124)	
7	R505450	VALVE COVER	1	014583-____	X	X	X		
8	R63185	O-RING	1		X	X	X		
9	RE66329	DEFLECTOR	1		X	X	X		
10	R505677	GASKET	1	____-014582	X	X	X	(USE WITH R116843)	
10	R502124	GASKET	1	014583-____	X	X	X	(USE WITH R505450)	
11	R130091	SCREW	2		X	X	X	M6 X 12	
12	R501292	GROMMET	2		X	X	X	(SUB FOR R127451)	
13	R132984	MEDALLION	1		X				
14	R132985	MEDALLION	1			X	X		

<https://www.ebooklibonline.com>

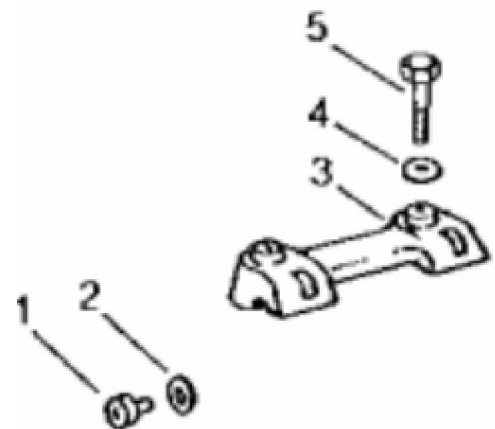
Hello dear friend!

Thank you very much for reading.

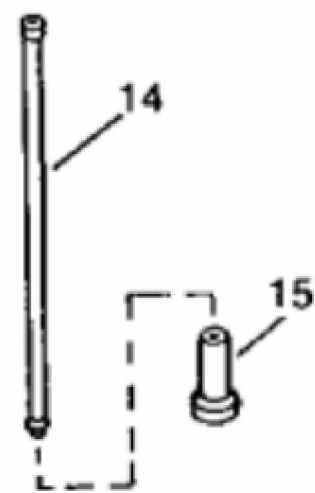
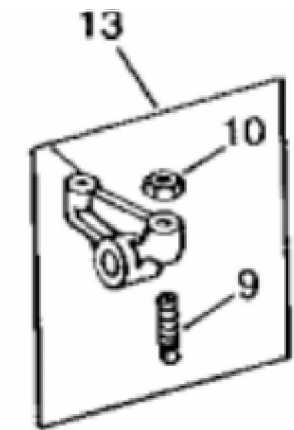
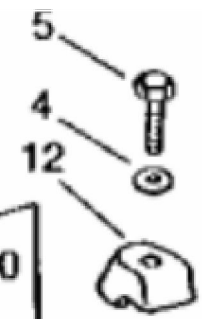
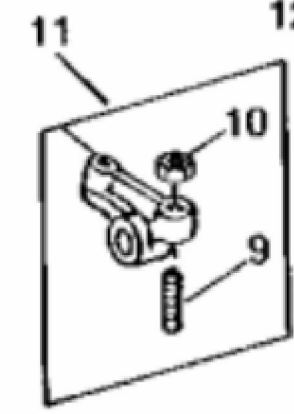
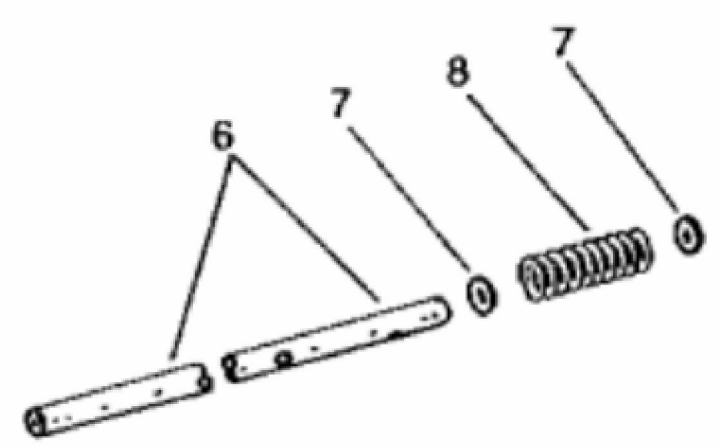
Enter the link into your browser.

The full manual is available for immediate download.

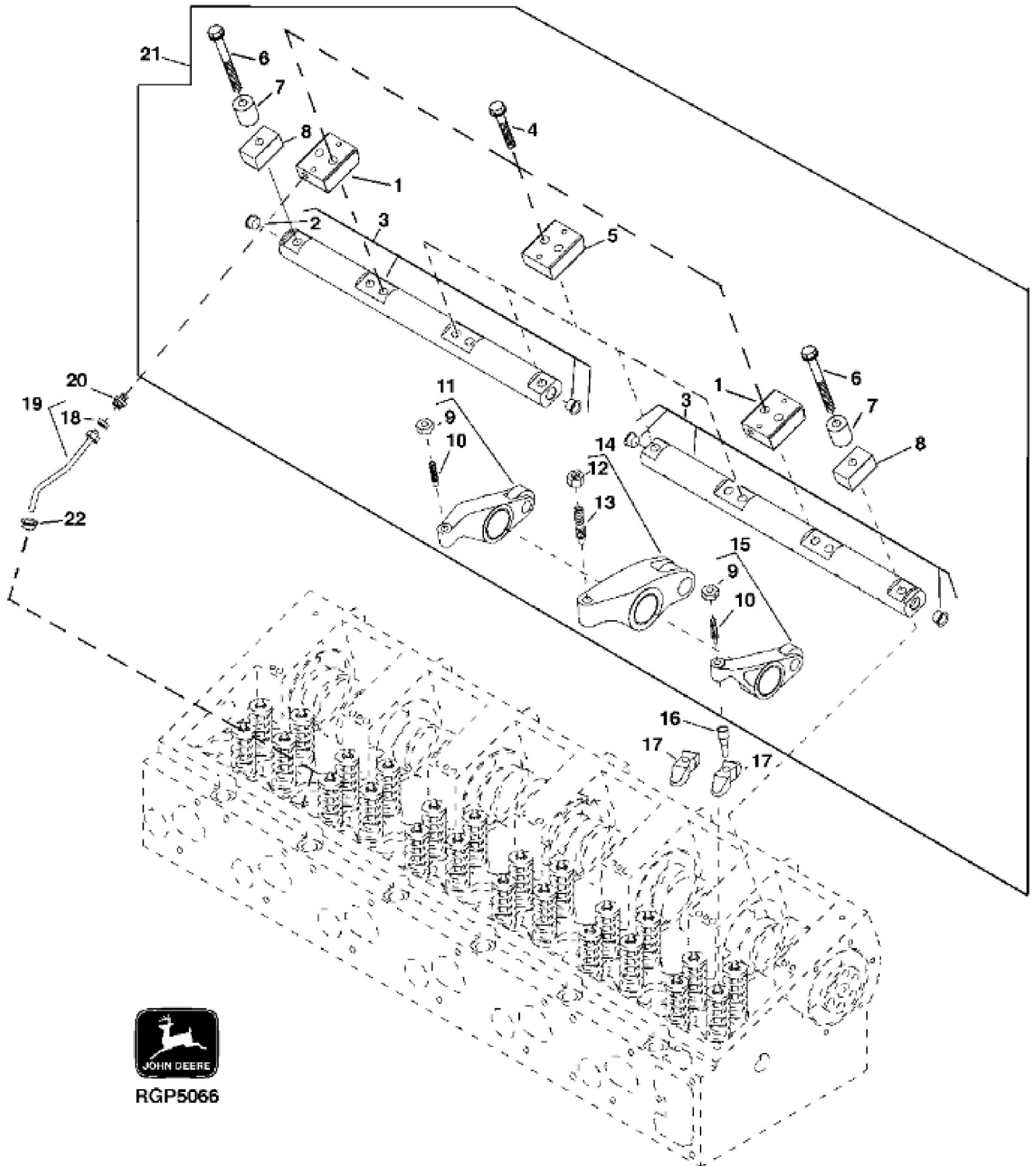
<https://www.ebooklibonline.com>



RGP2324



KEY	PART NO.	PART NAME	QTY	9100	REMARKS
1	R54565	PLUG	2	X	
2	R26081	WASHER	2	X	
3	R136083	CLAMP	2	X	(SUB FOR R65553)
4	R26559	WASHER	6	X	
5	19H1740	CAP SCREW	6	X	7/16" X 1-3/4"
6	R70826	ROCKER ARM SHAFT	1	X	
7	R71208	WASHER	10	X	
8	R26079	SPRING	5	X	
9	R27443	SET SCREW	12	X	
10	14H1080	NUT	12	X	3/8"
11	RE24045	ROCKER ARM	6	X	(- E (EXHAUST VALVE) - I (INTAKE VALVE)) (1E, 2I, 3E, 4I, 5E, 6I) (RH)
12	R26748	CLAMP	2	X	
13	RE24046	ROCKER ARM	6	X	(- E (EXHAUST VALVE) - I (INTAKE VALVE)) (1I, 2E, 3I, 4E, 5I, 6E) (LH)
14	R85027	PUSH ROD	12	X	
15	R110126	FOLLOWER	12	X	



RGP5066



Suggest:

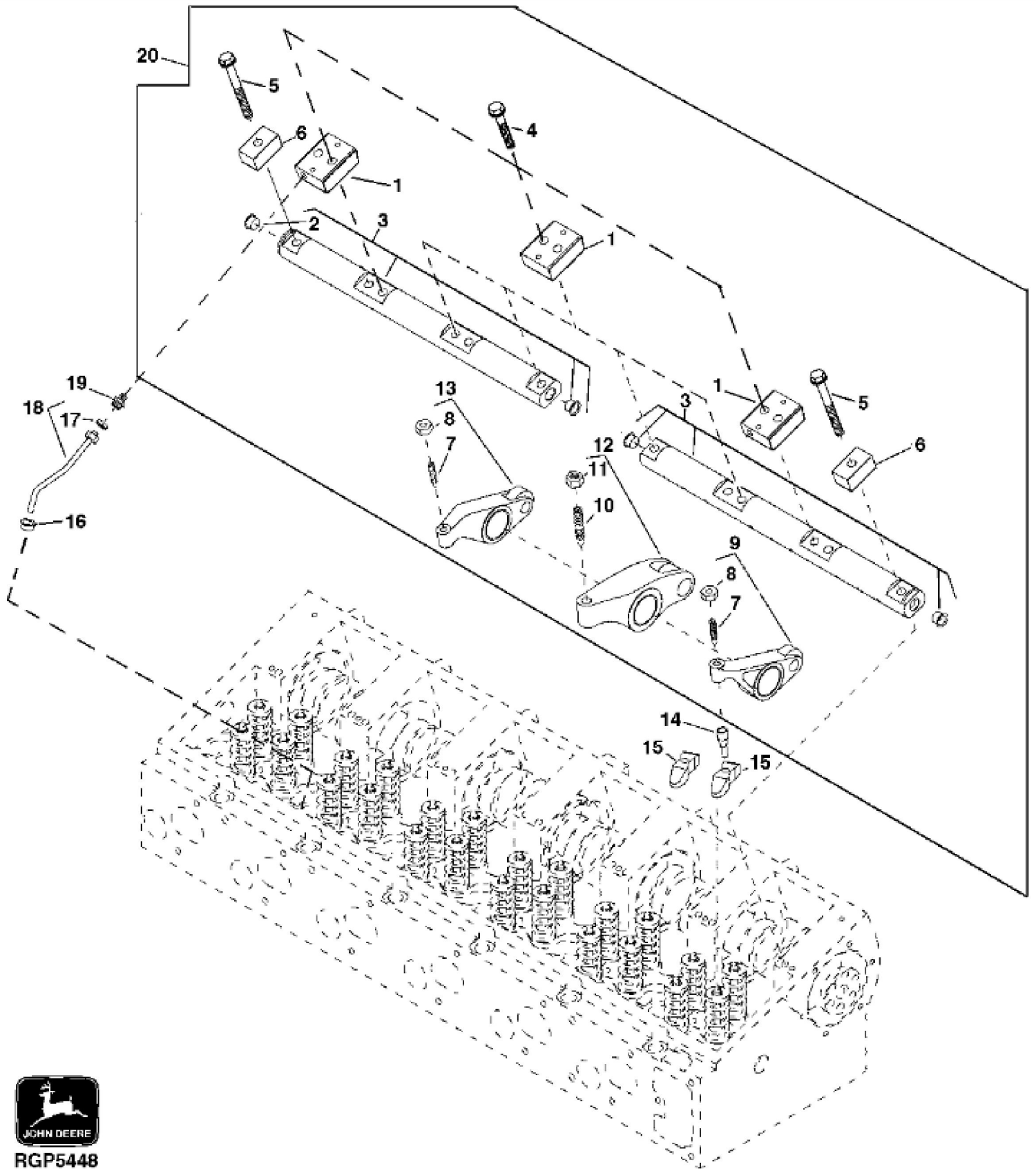
For more complete manuals. Please go to the home page.

<https://www.ebooklibonline.com>

If the above button click is invalid. Please download this document first, and then click the above link to download the complete manual.

Thank you so much for reading

KEY	PART NO.	PART NAME	QTY	Engine Serial No.	9200	9300	9400	REMARKS
1	R130502	CLAMP	2		X	X	X	(ALSO ORDER (2) 19M7808 OR (2) R136507)
2	30M7010	PLUG	4		X	X	X	
3	RE66193	ROCKER ARM SHAFT	2		X	X	X	
4	19M7808	SCREW	10	____-003030	X	X	X	(USE WITH NON-COUNTER BORED HEAD) M10 X 65, (USE WITH R130502 AND R130595)
4	R136507	SCREW	10	003031-____	X	X	X	(USE WITH COUNTER BORED HEAD)
5	R130595	CLAMP	3		X	X	X	(ALSO ORDER (2) 19M7808 OR (2) R136507)
6	19M7811	SCREW	2	____-003030	X	X	X	(USE WITH NON-COUNTER BORED HEAD) M10 X 90
6	R136508	SCREW	2	003031-____	X	X	X	(USE WITH COUNTER BORED HEAD)
7	R127203	SPACER	2		X	X	X	(USE WITH R130501)
8	R130501	CLAMP	2		X	X	X	(ALSO ORDER 19M7811 OR R136508)
9	R500145	NUT	12		X	X	X	(M10)
10	R116556	SCREW	12		X	X	X	
11	RE53420	ROCKER ARM	6		X	X	X	(EXHAUST)
12	R130643	NUT	6		X	X	X	
13	R115516	SCREW	6		X	X	X	
14	RE508660	ROCKER ARM	6		X	X	X	(INJECTOR) (SUB FOR RE52232)
15	RE53416	ROCKER ARM	6		X	X	X	(INTAKE)
16	R117069	PUSH ROD	12		X	X	X	
17	R503824	CROSSBAR	12		X	X	X	(SUB FOR R131441 OR R129215)
18	R51936	SEALING WASHER	2		X	X	X	
19	RE55828	OIL LINE	2		X	X	X	
20	RE502650	FITTING	2		X	X	X	(SUB FOR R63604)
21	RE63283	ROCKER ARM	1		X	X	X	
22	R115592	SEAL	2		X	X	X	



RGP5448

<https://www.ebooklibonline.com>

Hello dear friend!

Thank you very much for reading.

Enter the link into your browser.

The full manual is available for immediate download.

<https://www.ebooklibonline.com>