

CD39002B

KEY	PART NO.	PART NAME	QTY	REMARKS
1	RE68302	CYLINDER BLOCK	1	(MARKED R115223), (SUB FOR RE56425)
1	RE68302	CYLINDER BLOCK	1	(MARKED R130874), (SUB FOR RE64752)
1	RE65358	CYLINDER BLOCK	1	(MARKED R129432)
2	19H2676	CAP SCREW	2	3/8" X 1"
3	T20072	PLATE	1	
4	26H72	SHAFT KEY	1	1/8" X 5/8"
5	.....	CAMSHAFT	1	(MARKED R106957), (ORDER RE55900)
5	RE55900	ENGINE KIT	1	
5	SE501622	CAMSHAFT REMAN	1	(REMAN FOR RE55900)
6	T20073	CAM FOLLOWER	6	
7	R119874	BUSHING	1	
8	19H1726	CAP SCREW	2	3/8" X 2-1/4"
9	T25701	STUD	1	(SUB FOR R108588 AND R130883)
10	R54802	ORIFICE	3	
11	R48685	DOWEL PIN	4	FRONT
11	R26650	DOWEL PIN	2	REAR
12	T18891	PLUG	1	
13	R26493	BUSHING	1	
14	.....	SPRING	1	(ORDER RE63674)
15	.....	VALVE	1	(ORDER RE63674)
16	.....	CYLINDER BLOCK	1	(MARKED R115223), (ORDER RE56425)
17	R65215	BEARING CAP	3	
18	R32214	WASHER	8	
19	T23474	CAP SCREW	8	
20	15H623	PIPE PLUG	1	3/8"
21	T23435	THREADED NIPPLE	1	
22	R97185	O-RING	1	
23	15H690	PIPE PLUG	1	3/4"
24	15H616	PIPE BUSHING	1	3/4"
25	15H685	PIPE PLUG	1	1/4"
26	RE57836	PIPE PLUG	2	12.700 mm (1/2"), (SUB FOR 15H624)
27	R55233	PIPE PLUG	1	
28	RE42713	PIPE PLUG	4	(SUB FOR R119392)
29	R79089	CAP	1	REAR
30	14H1076	NUT	1	3/8"

**<https://www.ebooklibonline.com>**

Hello dear friend!

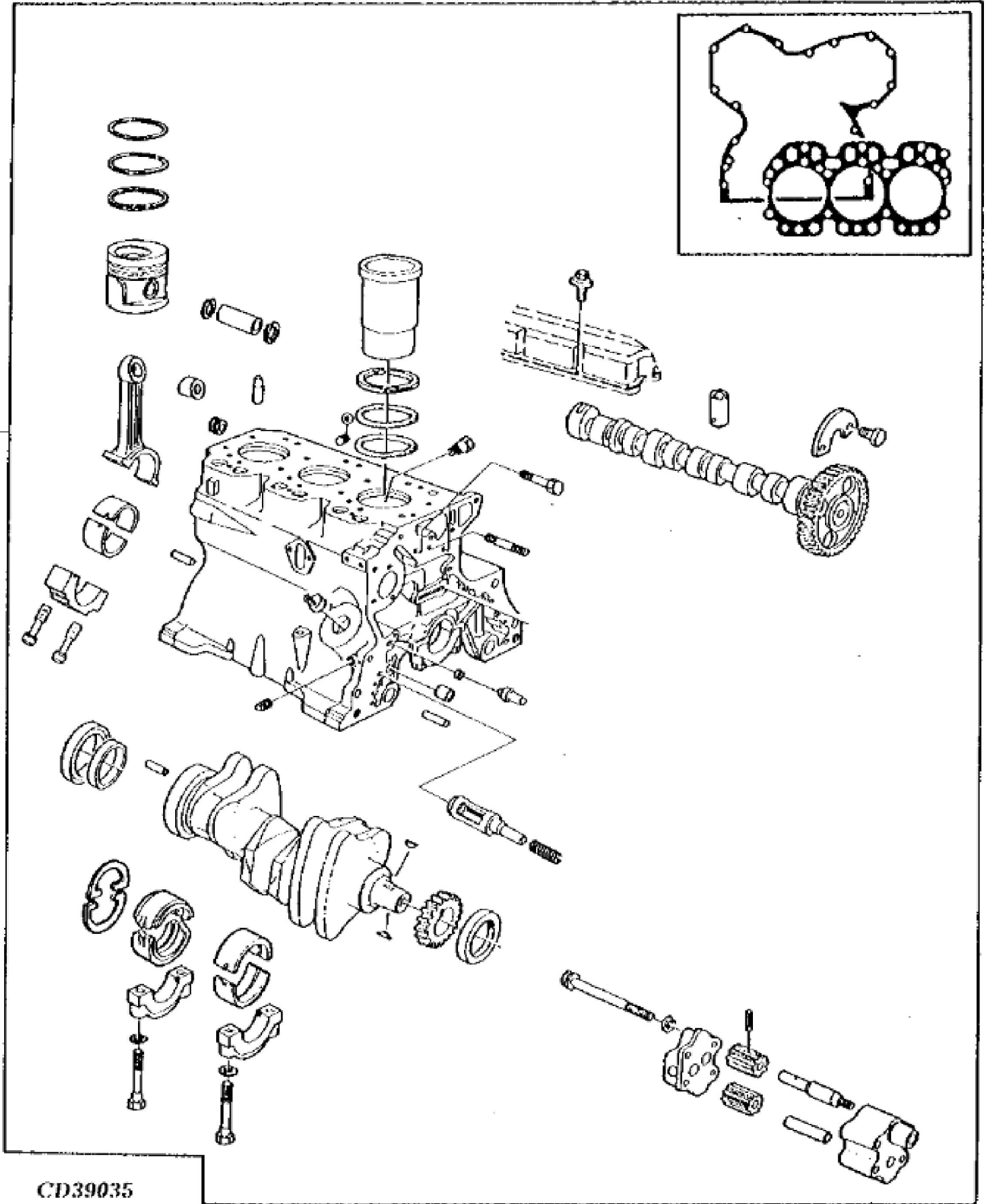
Thank you very much for reading.

Enter the link into your browser.

The full manual is available for immediate download.

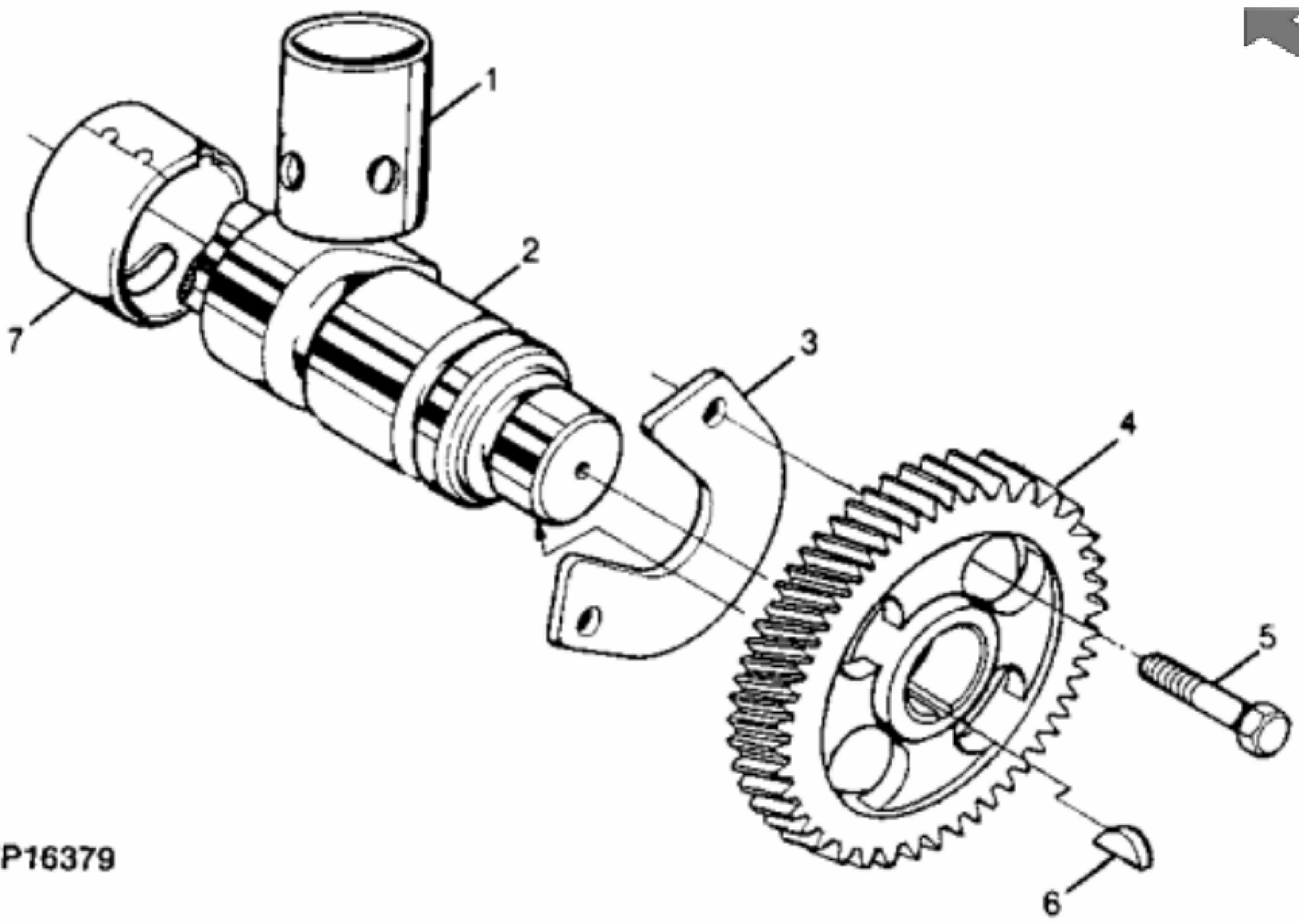
**<https://www.ebooklibonline.com>**

KEY	PART NO.	PART NAME	QTY	REMARKS	
31	AT85174	SWITCH	1	OIL PRESSURE	
32	AT13740	DRAIN VALVE	AR		
..	RE63674	VALVE	1	BYPASS, (SUB FOR R111137 AND R111135)	



CD39035

KEY	PART NO.	PART NAME	QTY	Serial No.	REMARKS	
1	RE51926	SHORT BLOCK ASSEMBLY	1	____-326693	(W/CYL. BLOCK MARKED R115223)	
1	RE70900	SHORT BLOCK ASSEMBLY	1	____-362170	(W/CYL. BLOCK MARKED R129432)	
1	RE502327	SHORT BLOCK ASSEMBLY	1	513189-____	(FOR EMISSION CERTIFIED ENG.)	



MP16379



**Suggest:**

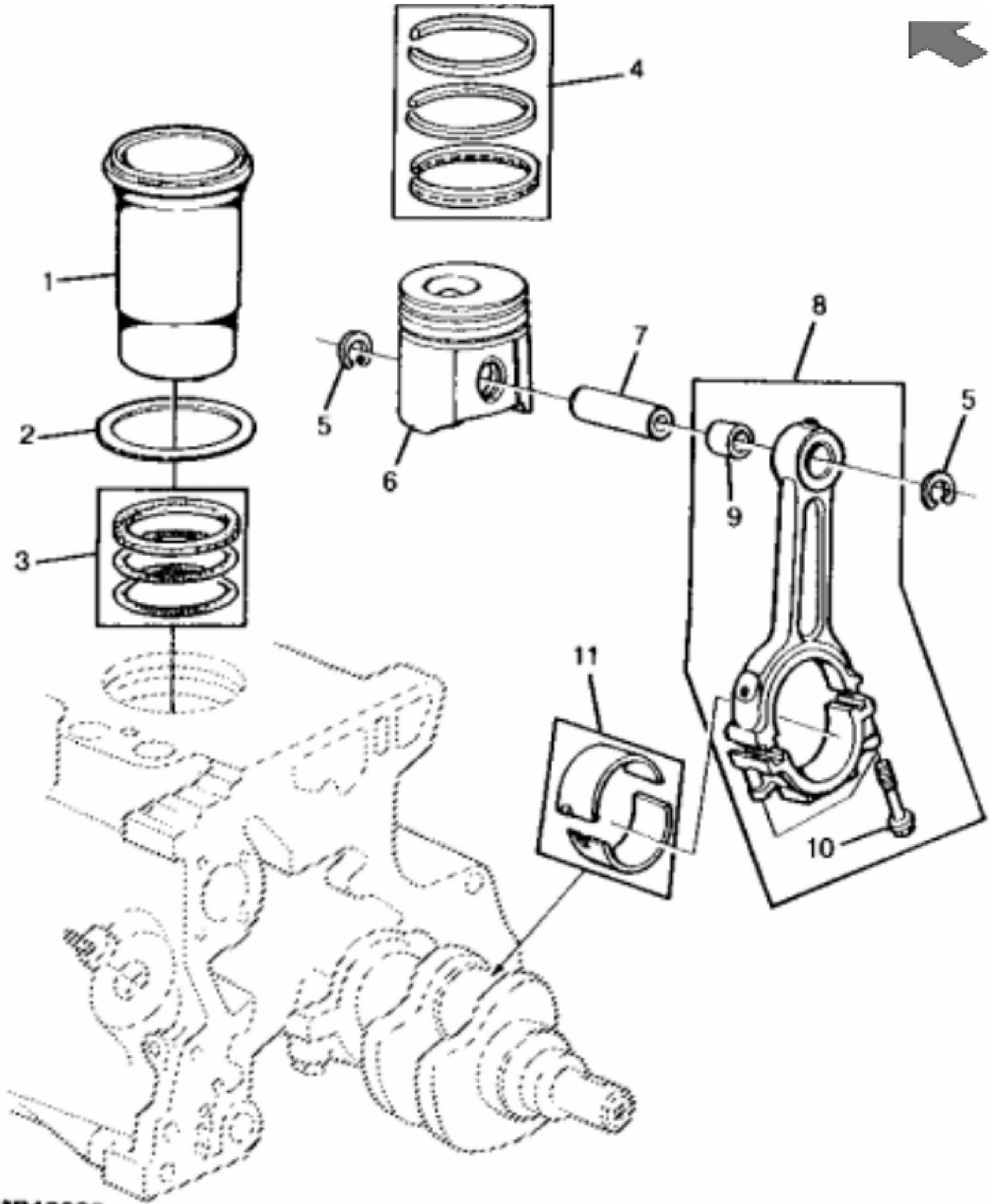
**For more complete manuals. Please go to the home page.**

**<https://www.ebooklibonline.com>**

**If the above button click is invalid. Please download this document first, and then click the above link to download the complete manual.**

**Thank you so much for reading**

KEY	PART NO.	PART NAME	QTY	REMARKS	
1	T20073	CAM FOLLOWER	6	(A)	
2	.....	CAMSHAFT	1	(A) (MARKED R106957), (ORDER RE55900)	
3	T20072	PLATE	1		
4	T20070	HELICAL GEAR	1	48 TEETH	
5	19H2676	CAP SCREW	2	3/8" X 1"	
6	26H72	SHAFT KEY	1	(A) 1/8" X 5/8"	
7	R119874	BUSHING	1	(A)	
..	RE55900	ENGINE KIT	1	CAMSHAFT (INCLUDES PARTS MARKED (A))	
..	SE501622	CAMSHAFT REMAN	1	(REMAN FOR RE55900)	



MP13839

**<https://www.ebooklibonline.com>**

Hello dear friend!

Thank you very much for reading.

Enter the link into your browser.

The full manual is available for immediate download.

**<https://www.ebooklibonline.com>**