

RGP3924

KEY	PART NO.	PART NAME	QTY	8560	REMARKS
1	R521228	GASKET	1	X	(SUB FOR R49377, R49376 OR RE504822)
2	RE52148	OIL PAN	1	X	
3	24H1305	WASHER	22	X	13/32" X 13/16" X 0.065"
4	12H304	LOCK WASHER	22	X	3/8"
5	19H3485	CAP SCREW	2	X	3/8" X 2"
6	24H1756	WASHER	2	X	1/2" X 1" X 0.060"
7	12H301	LOCK WASHER	2	X	1/2"
8	19H2473	CAP SCREW	2	X	1/2" X 1-3/4"
9	19H3267	CAP SCREW	18	X	3/8" X 1-5/8"
10	R57564	GASKET	1	X	
11	R26727	DRAIN PLUG	1	X	
12	A4827R	WASHER	1	X	
13	19H3504	CAP SCREW	2	X	3/8" X 5-3/8"
14	F3171R	O-RING	1	X	
15	R27175	DRAIN PLUG	1	X	
16	15H690	PIPE PLUG	1	X	3/4"
17	R47151	O-RING	1	X	
18	R27474	DRAIN PLUG	1	X	

<https://www.ebooklibonline.com>

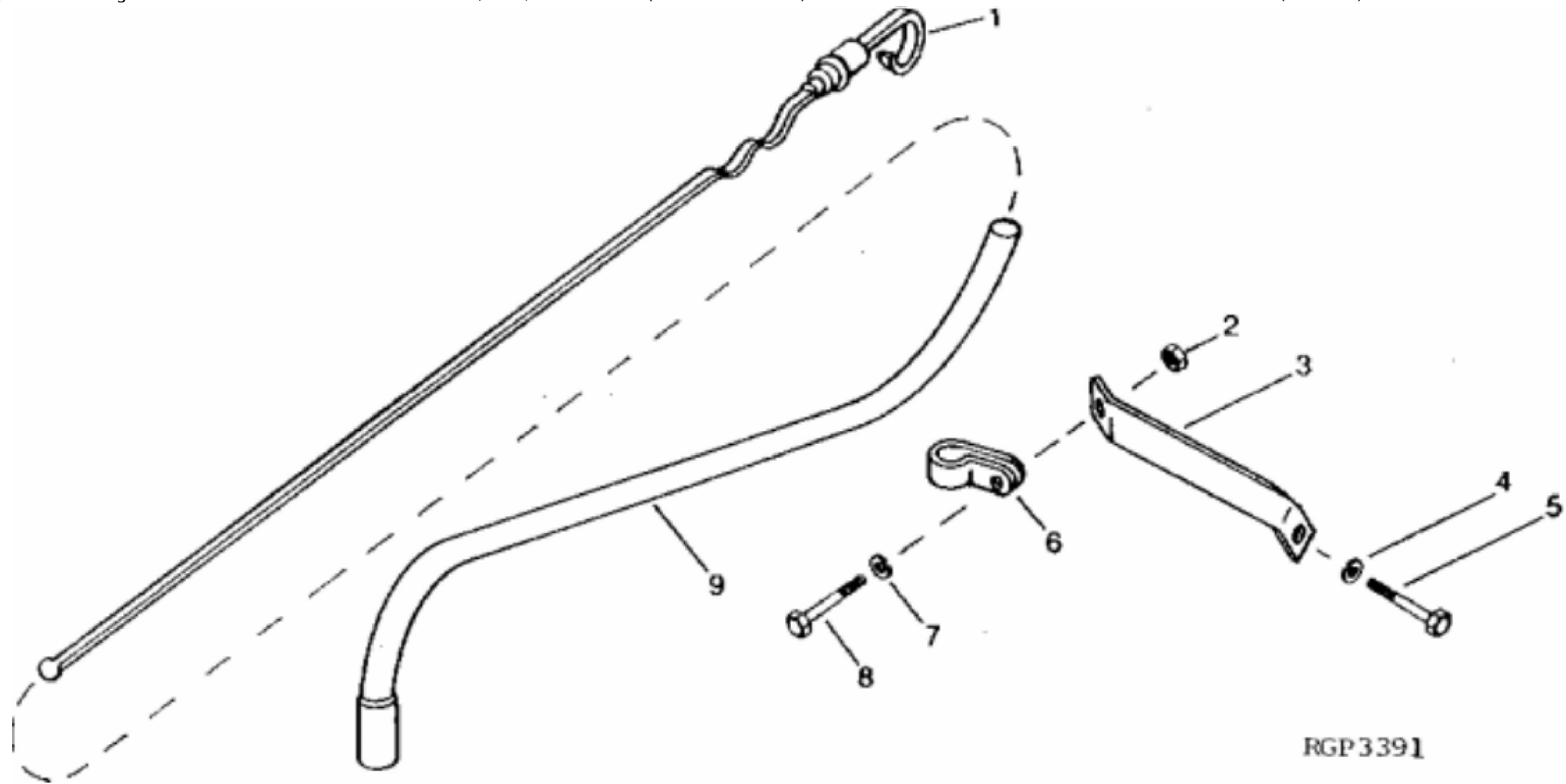
Hello dear friend!

Thank you very much for reading.

Enter the link into your browser.

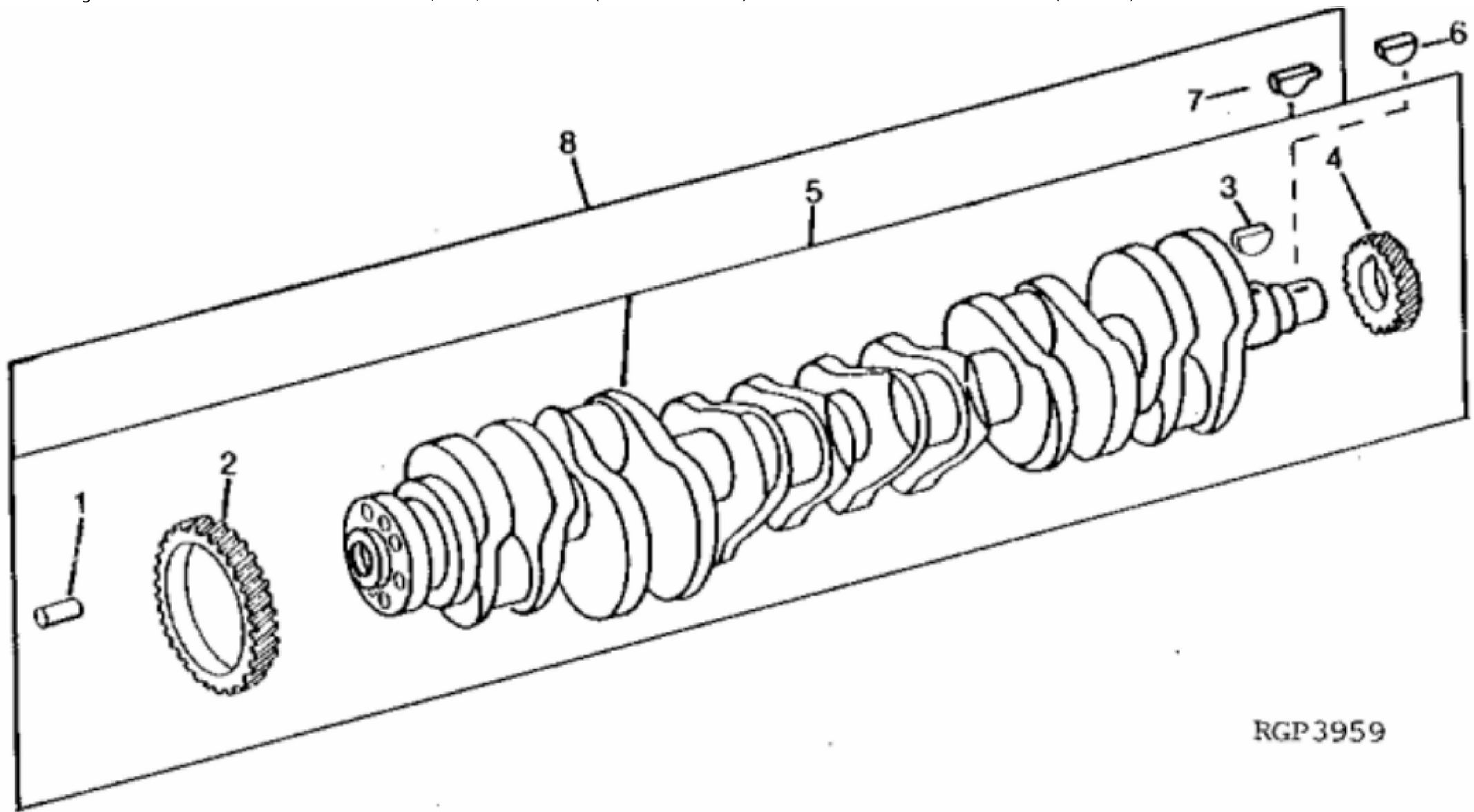
The full manual is available for immediate download.

<https://www.ebooklibonline.com>



RGP 3391

KEY	PART NO.	PART NAME	QTY	8560	REMARKS	
1	RE33951	DIPSTICK	1	X		
2	E55662	FLANGE NUT	1	X		
3	R96440	BRACKET	1	X		
4	12H303	LOCK WASHER	1	X	5/16"	
5	19H1849	CAP SCREW	1	X	5/16" X 1-1/4"	
6	T13814	CLAMP	1	X		
7	12H304	LOCK WASHER	1	X	3/8", (NOT REQUIRED WITH E55662)	
8	19H1936	CAP SCREW	1	X	3/8" X 3/4"	
9	RE33859	DIPSTICK TUBE	1	X		
..	R107623	SPACER	1	X	(TO BLOCK)	



RGP 3959



Suggest:

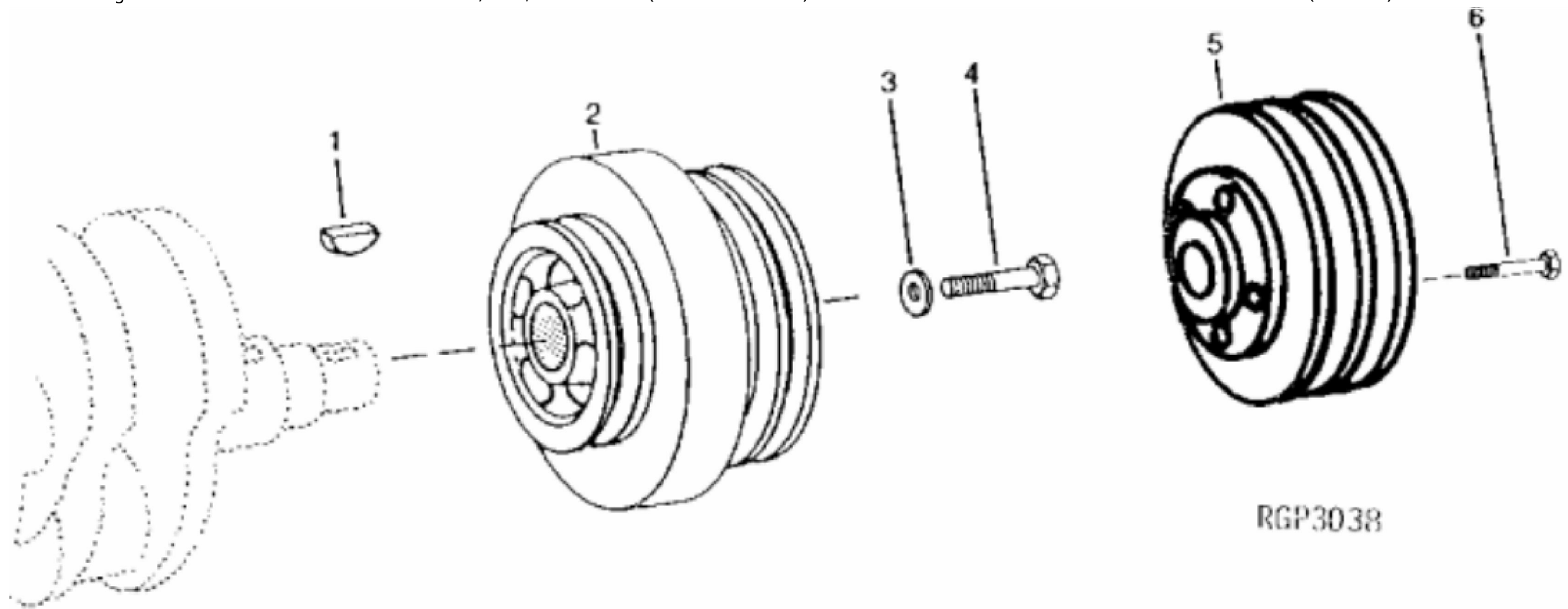
For more complete manuals. Please go to the home page.

<https://www.ebooklibonline.com>

If the above button click is invalid. Please download this document first, and then click the above link to download the complete manual.

Thank you so much for reading

KEY	PART NO.	PART NAME	QTY	8560	REMARKS	
1	R41934	DOWEL PIN	1	X		
2	R63326	GEAR	1	X	(SUB RE63293, THIS APPLICATION)	
3	R120752	KEY	1	X		
4	R86565	GEAR	1	X	(36 MM WIDE), (USE WITH R87544 OR RE33390 CAMSHAFT GEAR)	
5	RE27132	CRANKSHAFT	1	X	(MARKED R87544) (SUB FOR RE27875) (SUB RE63293)	
6	26H85	SHAFT KEY	1	X	1/4" X 1", (USE WITH R87544)	
7	R116311	KEY	1	X	(USE WITH RE53201)	
8	RE63293	CRANKSHAFT	1	X	(MARKED RE53201) (SUB FOR RE27875, RE27132 OR RE53201)	



RGP3038

<https://www.ebooklibonline.com>

Hello dear friend!

Thank you very much for reading.

Enter the link into your browser.

The full manual is available for immediate download.

<https://www.ebooklibonline.com>