

KEY	PART NO.	PART NAME	QTY	REMARKS	
1	19M8291	SCREW	15	M8 X 35	
2	RE552592	COVER	1	ORDER RE563766	
2	RE563766	COVER	1	MARKED R535844	
3	R526607	SEAL	1		
4	R530844	DEFLECTOR	1		
5	19M7775	SCREW	2	M6 X 16	
6	19M7796	SCREW	1	M6 X 30	

<https://www.ebooklibonline.com>

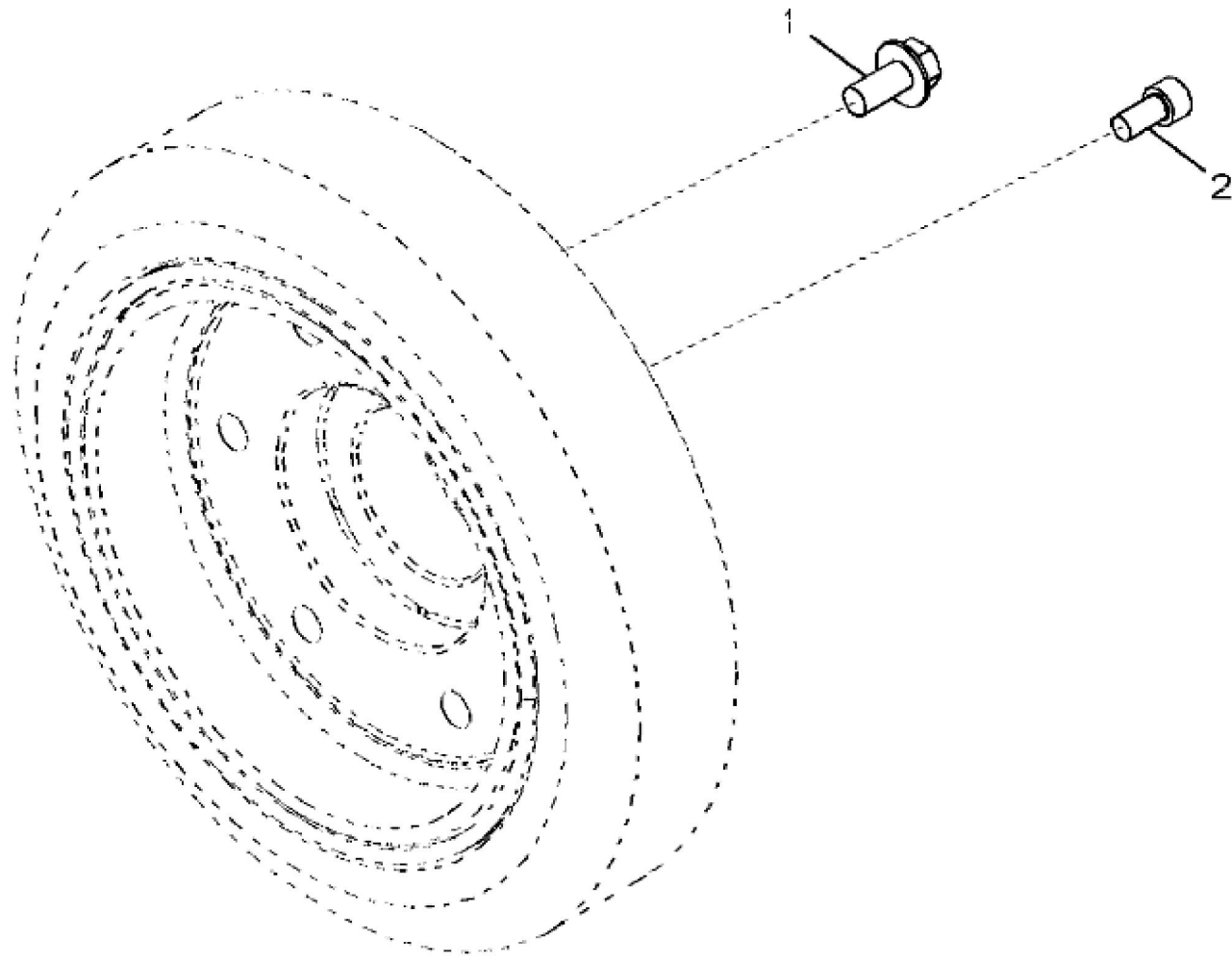
Hello dear friend!

Thank you very much for reading.

Enter the link into your browser.

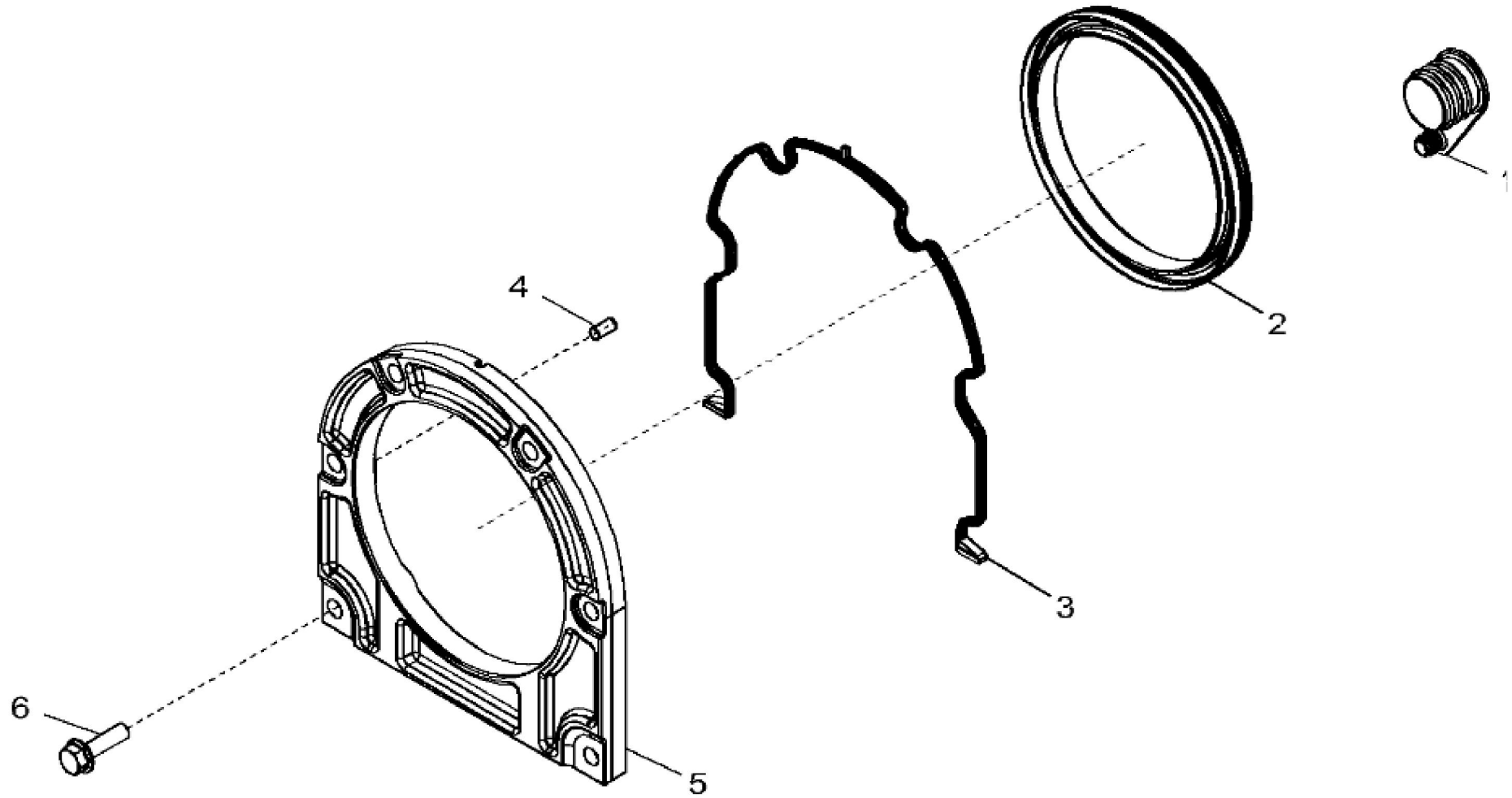
The full manual is available for immediate download.

<https://www.ebooklibonline.com>



1398_RE558936_PCD

KEY	PART NO.	PART NAME	QTY	REMARKS	
1	19M7788	SCREW	6	M12 X 25	
2	19M9200	SCREW	6	M10 X 20	



1496_RE538659_PCD



Suggest:

For more complete manuals. Please go to the home page.

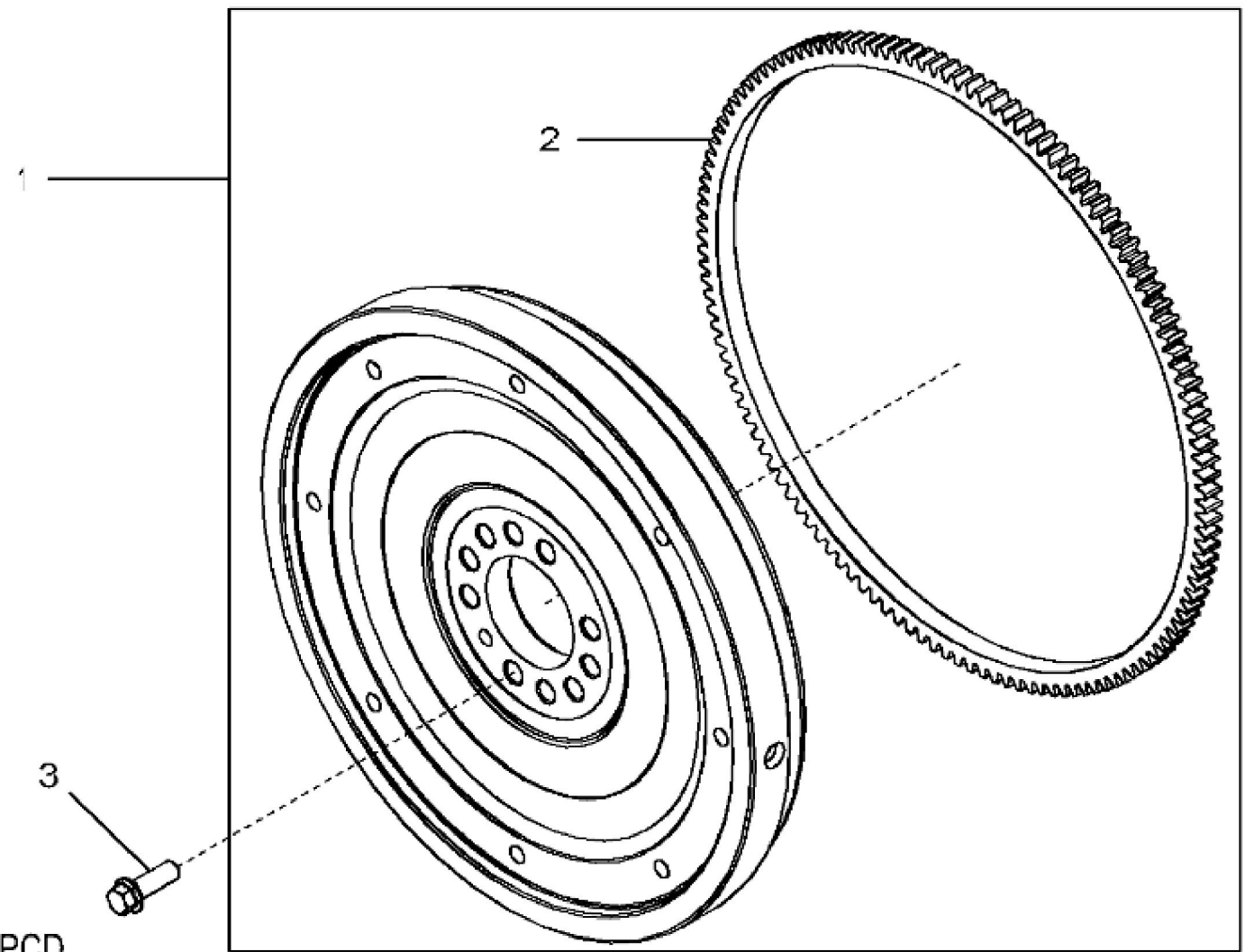
<https://www.ebooklibonline.com>

If the above button click is invalid. Please download this document first, and then click the above link to download the complete manual.

Thank you so much for reading

John Deere > Agriculture >TRACTOR >8400R - TRACTOR >8400R Tractor (S.N. 115000-)(Worldwide Edition) >10 ENGINE 6090RW482-DZ102186 >ST122156 - 1496 CRANKSHAFT OIL SEAL AND HOUSING

KEY	PART NO.	PART NAME	QTY	REMARKS	
1	R121929	PLUG	1		
2	RE535552	SEAL	1		
3	R527660	GASKET	1		
4	F1743R	DOWEL PIN	2		
5	R526588	HOUSING	1		
6	19M7868	SCREW	6	M8 X 30	



1546_RE533328_PCD

<https://www.ebooklibonline.com>

Hello dear friend!

Thank you very much for reading.

Enter the link into your browser.

The full manual is available for immediate download.

<https://www.ebooklibonline.com>