

## ROCKER ARM COVER

KEY	PART NO.	PART NAME	QTY	REMARKS	
1	RE529871	ELBOW FITTING	1	SUB FOR RE527976	
2	T122075	O-RING	1		
3	19M8291	SCREW	15	M8 X 35	
4	RE536705	COVER	1	MARKED R545610; SUB FOR RE529972	
5	R523317	BREATHER	1	SUB FOR R518264	
6	RE526690	CAP SCREW	2		
7	RE526689	CAP SCREW	1		
8	R527884	GASKET	1		

**<https://www.ebooklibonline.com>**

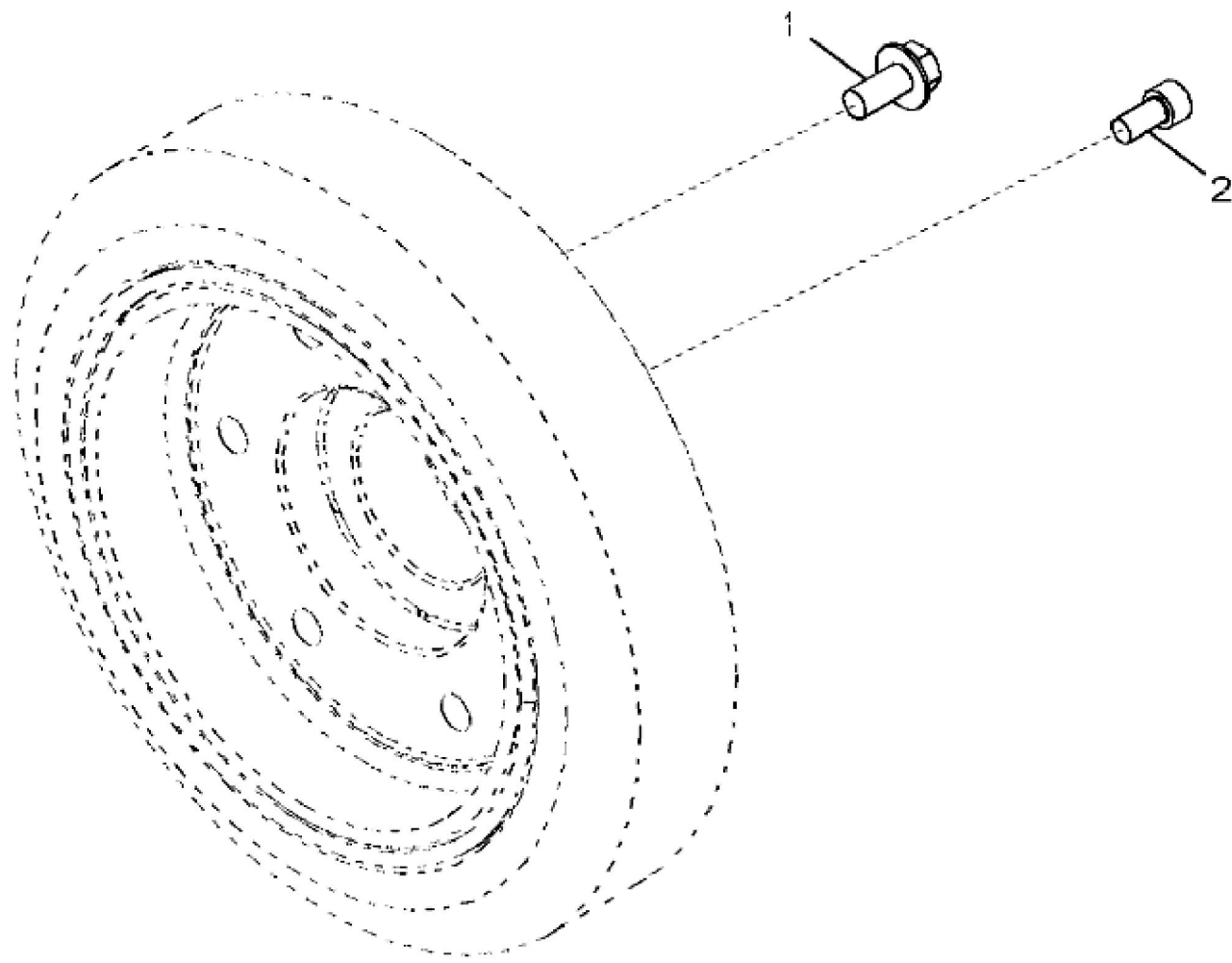
Hello dear friend!

Thank you very much for reading.

Enter the link into your browser.

The full manual is available for immediate download.

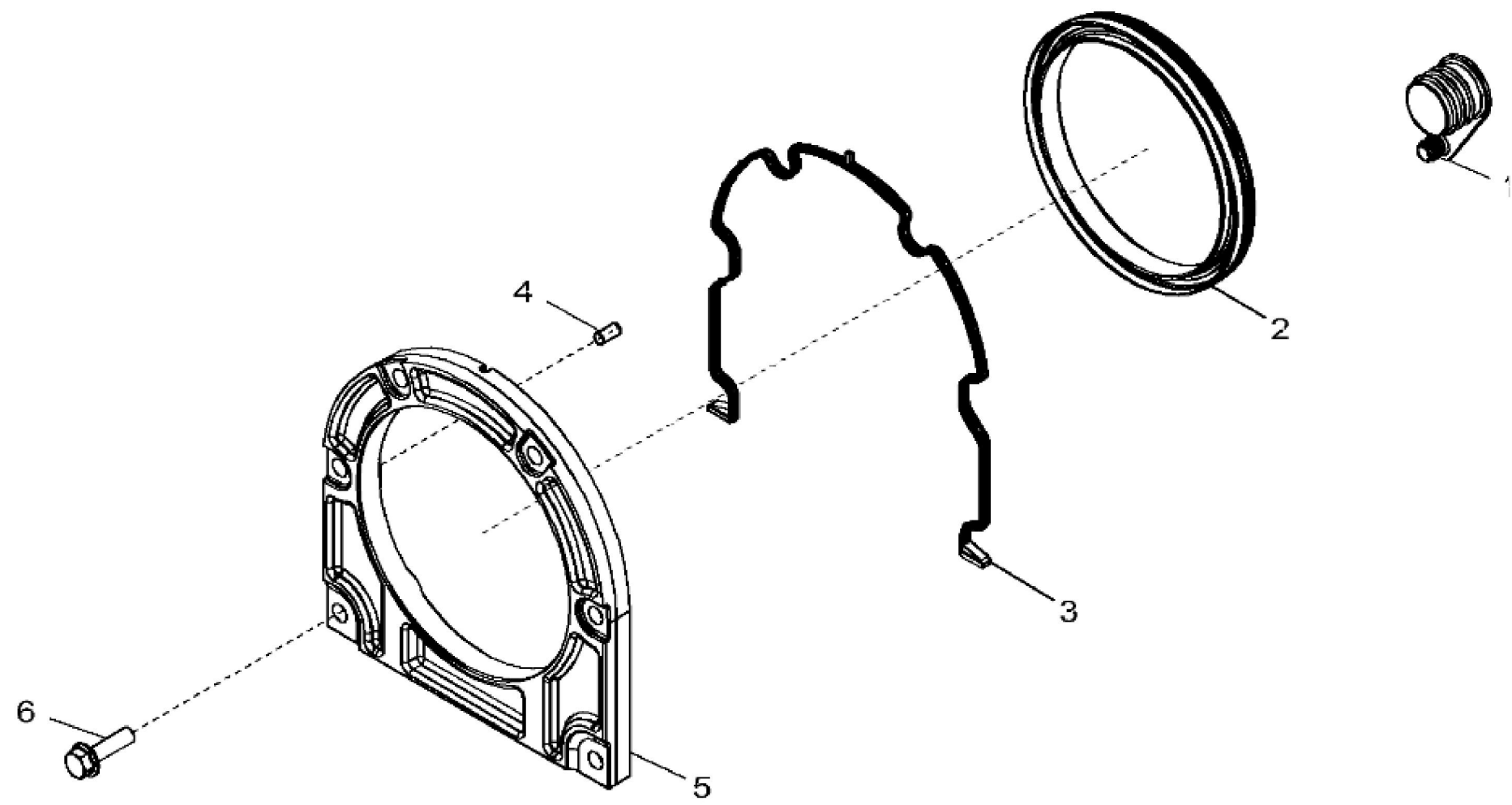
**<https://www.ebooklibonline.com>**



1398\_RE558936\_PCD

## CRANKSHAFT PULLEY HARDWARE

KEY	PART NO.	PART NAME	QTY	REMARKS	
1	19M7788	SCREW	6	M12 X 25	
2	19M9200	SCREW	6	M10 X 20	



1496\_RE538659\_PCD



**Suggest:**

**For more complete manuals. Please go to the home page.**

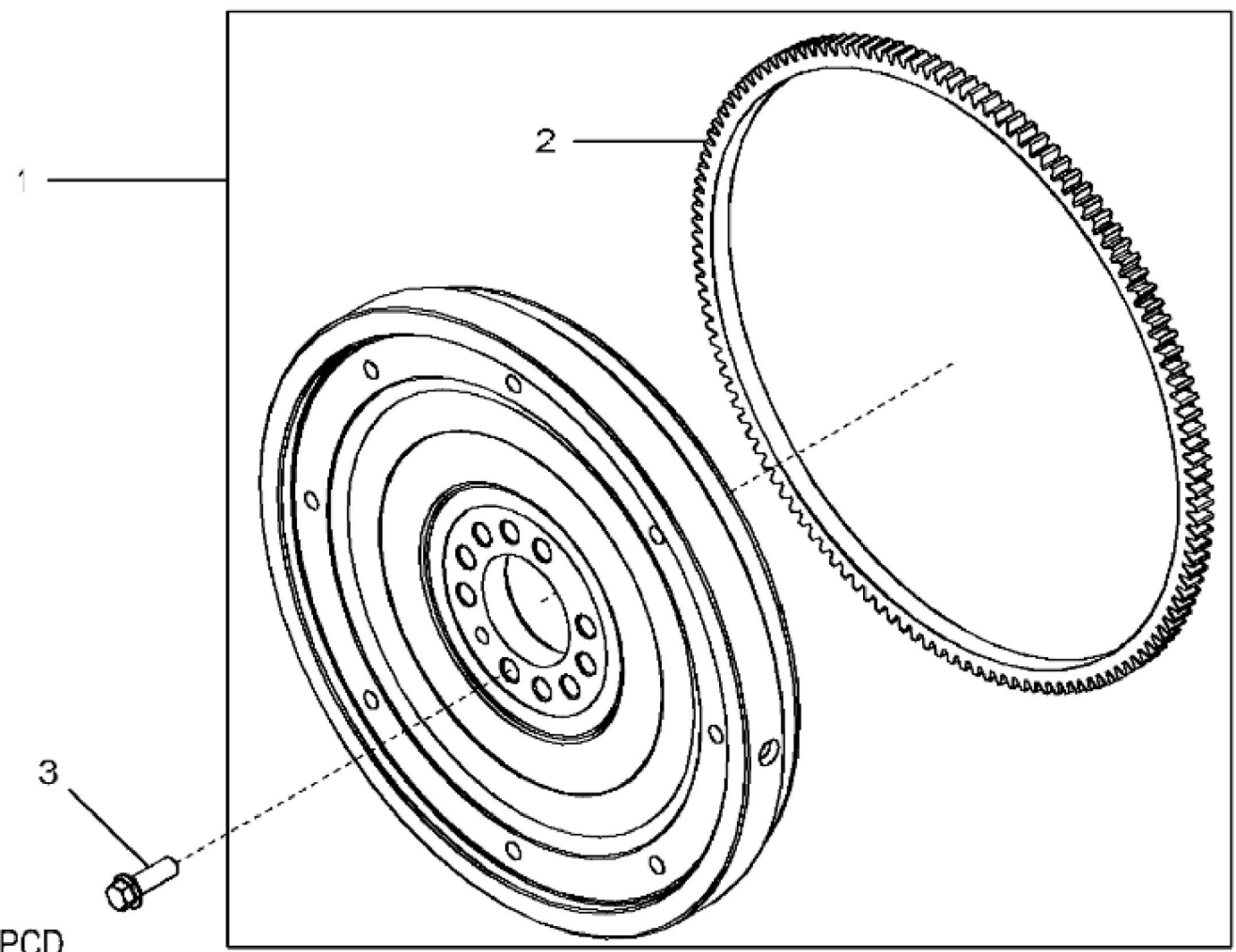
**<https://www.ebooklibonline.com>**

**If the above button click is invalid. Please download this document first, and then click the above link to download the complete manual.**

**Thank you so much for reading**

## CRANKSHAFT OIL SEAL AND HOUSING

KEY	PART NO.	PART NAME	QTY	REMARKS	
1	R121929	PLUG	1		
2	RE535552	SEAL	1		
3	R527660	GASKET	1		
4	F1743R	DOWEL PIN	2		
5	R526588	HOUSING	1		
6	19M7868	SCREW	6	M8 X 30	



1546\_RE533328\_PCD

**<https://www.ebooklibonline.com>**

Hello dear friend!

Thank you very much for reading.

Enter the link into your browser.

The full manual is available for immediate download.

**<https://www.ebooklibonline.com>**