

ETN10922T

John Deere > Agriculture >TRACTOR >8345RT - TRACTOR >8345RT Tractor (S.N. 912001-)(Worldwide Edition) >51 INFINITELY VARIABLE TRANSMISSION AR343897 >ST657512 - MANIFOLD VALVES AND SOLENOIDS, IVT™

KEY	PART NO.	PART NAME	QTY	REMARKS
1	R95078	FITTING PLUG	2	
2	51M7047	O-RING	2	23.600 X 2.900 mm
3	RE276475	REPAIR KIT	6	
4	19M8340	SCREW	8	M10 X 65, HS = 12.9
5	RE47392	O-RING KIT	1	
6	R539324	GASKET	1	SUB FOR R225623
7	R28671	DOWEL PIN	2	
8	RE217077	TRANS OIL PRESSURE SENSOR	2	
9	RE46684	FITTING PLUG	2	
10	RE577637	SOLENOID VALVE	1	SUB FOR RE212444
11	19M7560	CAP SCREW	8	M6 X 16
12	R128397	COMPRESSION SPRING	1	
13	RE52242	DRAIN PLUG	1	
14	RE190805	DIAGNOSTIC COUPLING	2	
15	R77175	COVER	2	
16	RE246268	SOLENOID VALVE	1	
17	R211082	CLAMP	3	
18	19M7932	CAP SCREW	1	M8 X 16, HS = 10.9
19	R95045	CLAMP	1	
20	RE166766	VALVE	1	
21	U41966	O-RING	1	
22	RE244397	SOLENOID VALVE	4	
23	R196190	SPOOL	4	
24	RE162743	FITTING PLUG	4	
25	R161101	COMPRESSION SPRING	1	
26	R260475	VALVE SPOOL	1	
27	R218926	COMPRESSION SPRING	1	
28	R212714	PIN	2	
29	R168675	COMPRESSION SPRING	4	
30	R218648	SPOOL VALVE	1	
31	RE246760	MANIFOLD	1	MARKED R242450; INCLUDES R128397, RE52242, H23836 AND (2) R28671; ORDER RE582527
31	RE582527	MANIFOLD	1	MARKED R558839; INCLUDES R29194, (2) R28671, RE52242 AND R128397; ORDER RE582527

<https://www.ebooklibonline.com>

Hello dear friend!

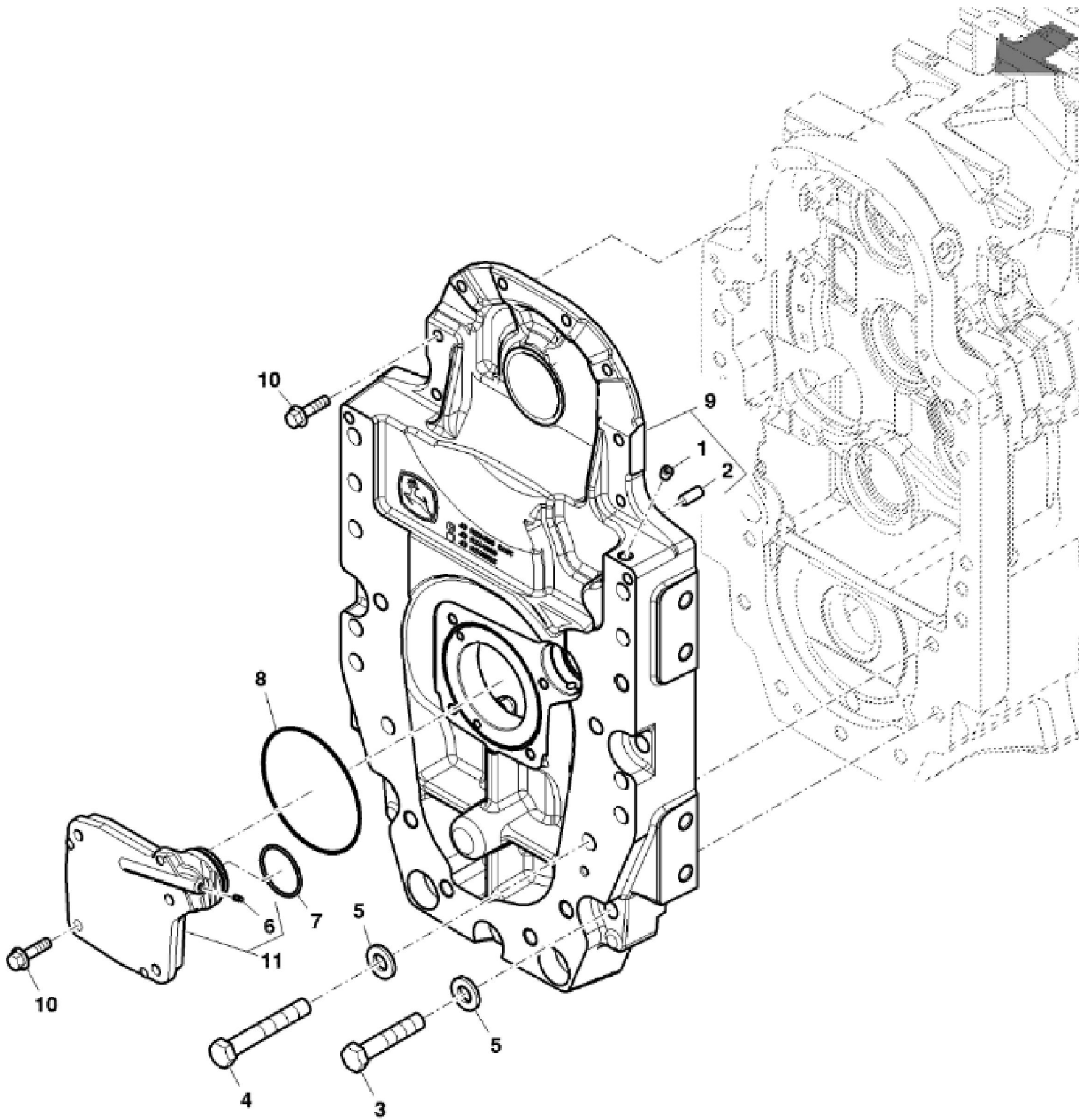
Thank you very much for reading.

Enter the link into your browser.

The full manual is available for immediate download.

<https://www.ebooklibonline.com>

KEY	PART NO.	PART NAME	QTY	REMARKS
32	RE236921	COMPRESSION SPRING	1	
33	R212713	SHIM	AR	TK = 0.760 mm
34	R225620	SPOOL VALVE	1	
35	40M7295	SNAP RING	1	
36	RE578485	CONTROL VALVE	2	SUB FOR RE212709
37	R214783	COMPRESSION SPRING	1	
38	R160628	COMPRESSION SPRING	1	
39	R86638	SHIM	AR	TK = 0.760 mm
40	R264379	SPOOL VALVE	1	
41	19M7815	SCREW	16	M12 X 60, HS = 10.9
42	19M7818	SCREW	13	M12 X 80, HS = 10.9
43	51M7041	O-RING	4	11.300 X 2.200 mm
44	R104556	RING	3	17 X 2 mm (0.669" X 0.079")
45	51M7045	O-RING	5	19.300 X 2.200 mm
46	H23836	BALL	1	SUB FOR R29194
47	RE211156	SOLENOID VALVE	1	ORDER RE211157 AND R211082; ALSO ORDER RE47392
48	L100496	PLUG	1	
49	T77857	O-RING	1	
50	38H5076	ADAPTER FITTING	1	
51	51M7042	O-RING	1	13.300 X 2.200 mm
52	51M7085	O-RING	1	19 X 2 mm
53	R106663	O-RING	1	
54	U11326	O-RING	1	
55	R62070	O-RING	1	
56	R27928	O-RING	1	
57	P42061	O-RING	1	
58	R104554	RING	3	
59	R104555	RING	2	
60	RE211157	SOLENOID VALVE	1	INCLUDES R104554; R104555 AND R104556
61	RE577638	SOLENOID VALVE	1	INCLUDES R104556 AND 51M7085; SUB FOR RE201972
62	R99039	O-RING	1	



ETN10929DR1



Suggest:

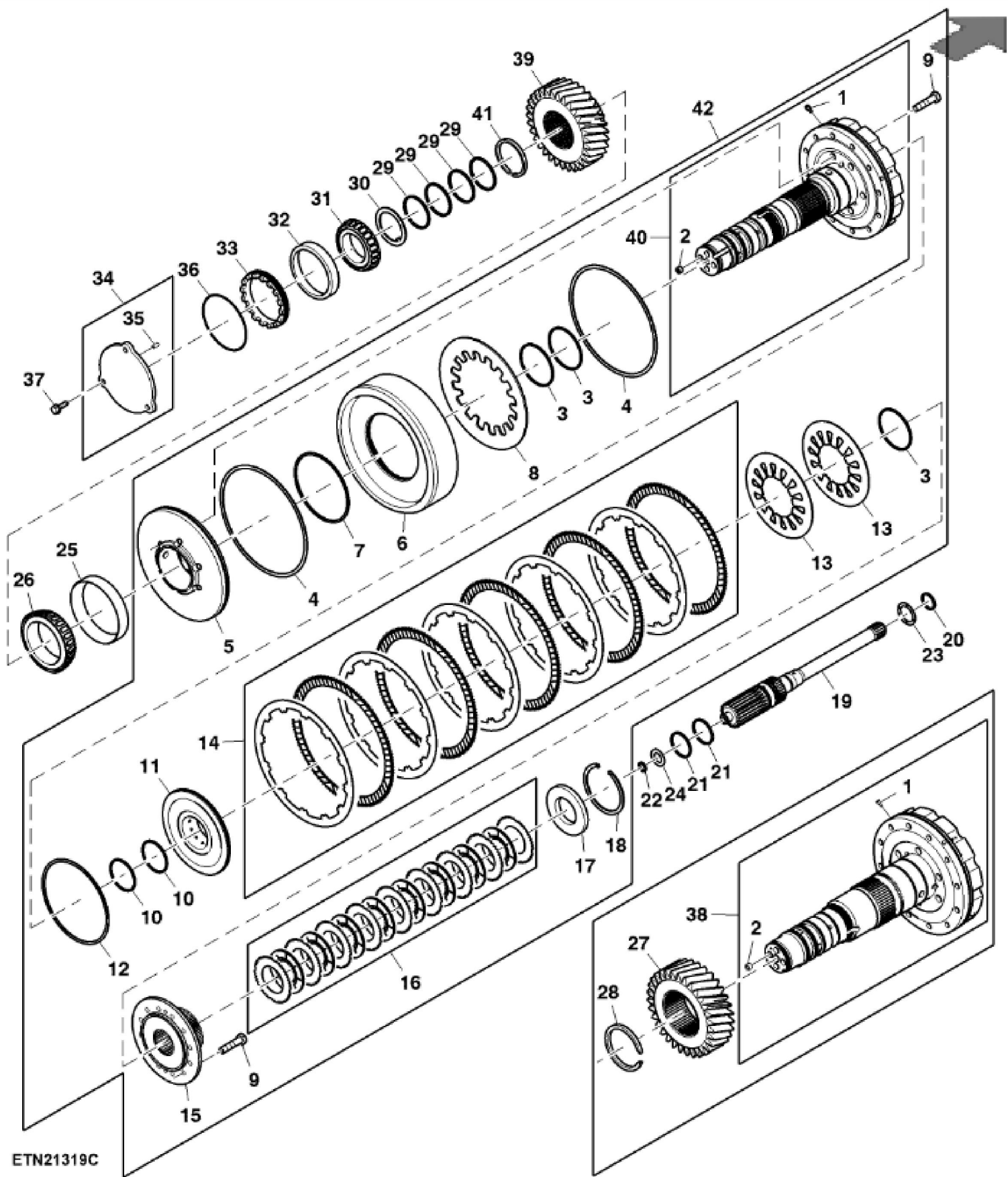
For more complete manuals. Please go to the home page.

<https://www.ebooklibonline.com>

If the above button click is invalid. Please download this document first, and then click the above link to download the complete manual.

Thank you so much for reading

KEY	PART NO.	PART NAME	QTY	REMARKS	
1	R121580	PIPE PLUG	1		
2	R48685	DOWEL PIN	2		
3	19M9135	CAP SCREW	7	M20 X 100	
4	19M9139	CAP SCREW	2	M20 X 130	
5	24M7242	WASHER	9	21.400 X 42 X 5 mm	
6	AT107509	PLUG	1		
7	R122886	O-RING	1		
8	R99039	O-RING	1		
9	RE246605	COVER	1	INCLUDES (2) R48685, R121580	
10	R546156	SCREW	12	M12 X 45	
11	RE267281	BEARING HOUSING W/O BEARING	1	INCLUDES AT107509	



ETN21319C

<https://www.ebooklibonline.com>

Hello dear friend!

Thank you very much for reading.

Enter the link into your browser.

The full manual is available for immediate download.

<https://www.ebooklibonline.com>