

KEY	PART NO.	PART NAME	QTY	REMARKS	
1	DZ106792	INTAKE MANIFOLD	1	MARKED DZ105351	
2	15H686	PIPE PLUG	2	1"	
3	15H685	PIPE PLUG	1	1/4"	
4	RE522723	MANIFOLD AIR PRESS. SENSOR	1		
5	RE522823	TEMPERATURE SENSOR	1		
6	R548750	SEALING WASHER	7	SUB FOR R520424	
7	19M10075	SCREW	7	M8 X 110, USE WITH DZ106792	
8	R532724	GASKET	1	USE WITH DZ106792	
9	19M10219	SCREW	6	M8 X 80, USE WITH DZ106792	
10	19M10270	SCREW	1	M8 X 55, USE WITH DZ106792	
11	RE538564	INTAKE MANIFOLD	1	SUB FOR RE536258 OR RE520442; MARKED R528150	
12	R518260	GASKET	1	ORDER DZ109633	
12	DZ109633	GASKET	1	USE WITH RE538564	
13	19M7873	SCREW	7	M8 X 110, USE WITH RE538564	
14	R527684	SCREW	7	USE WITH RE538564	

<https://www.ebooklibonline.com>

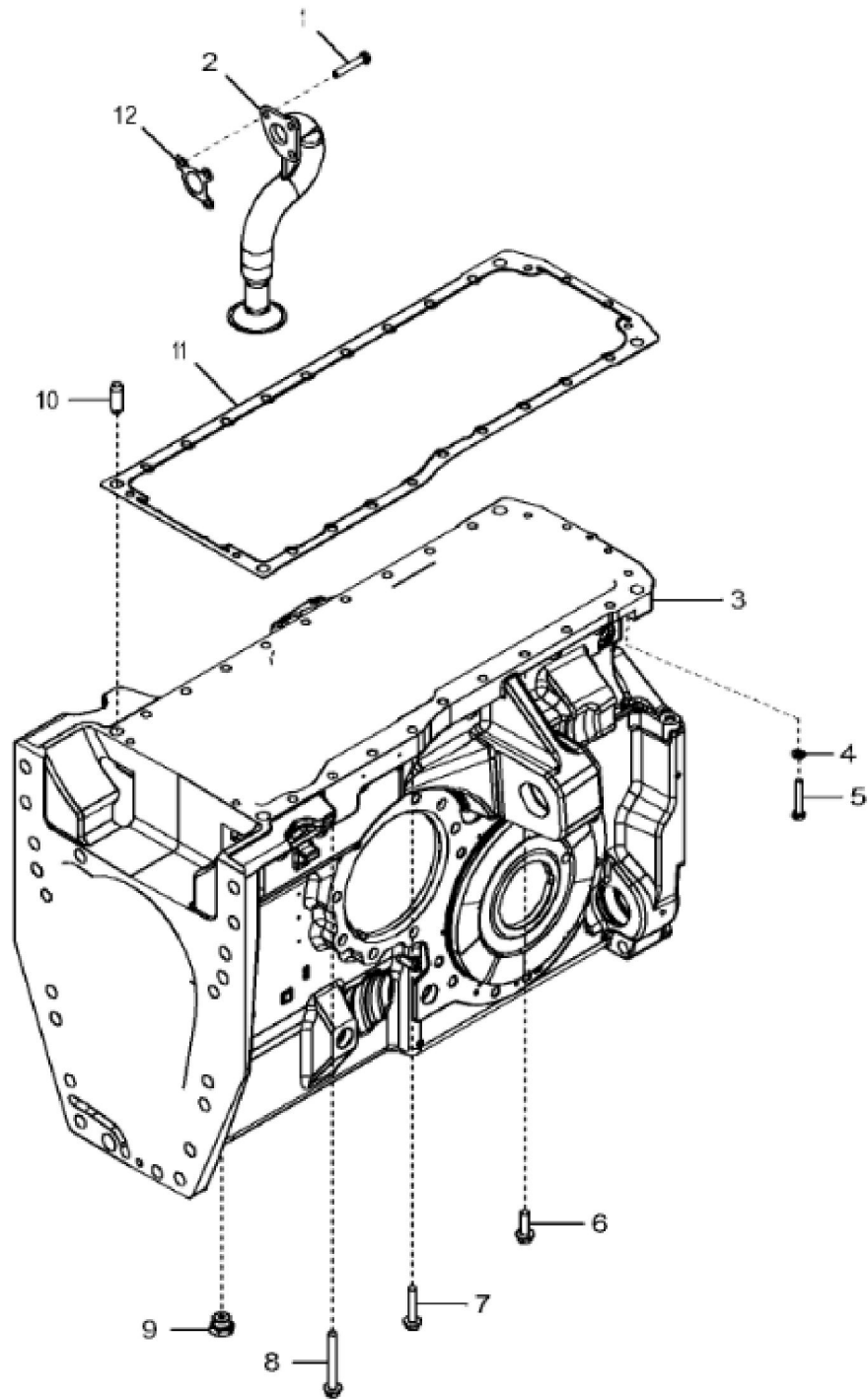
Hello dear friend!

Thank you very much for reading.

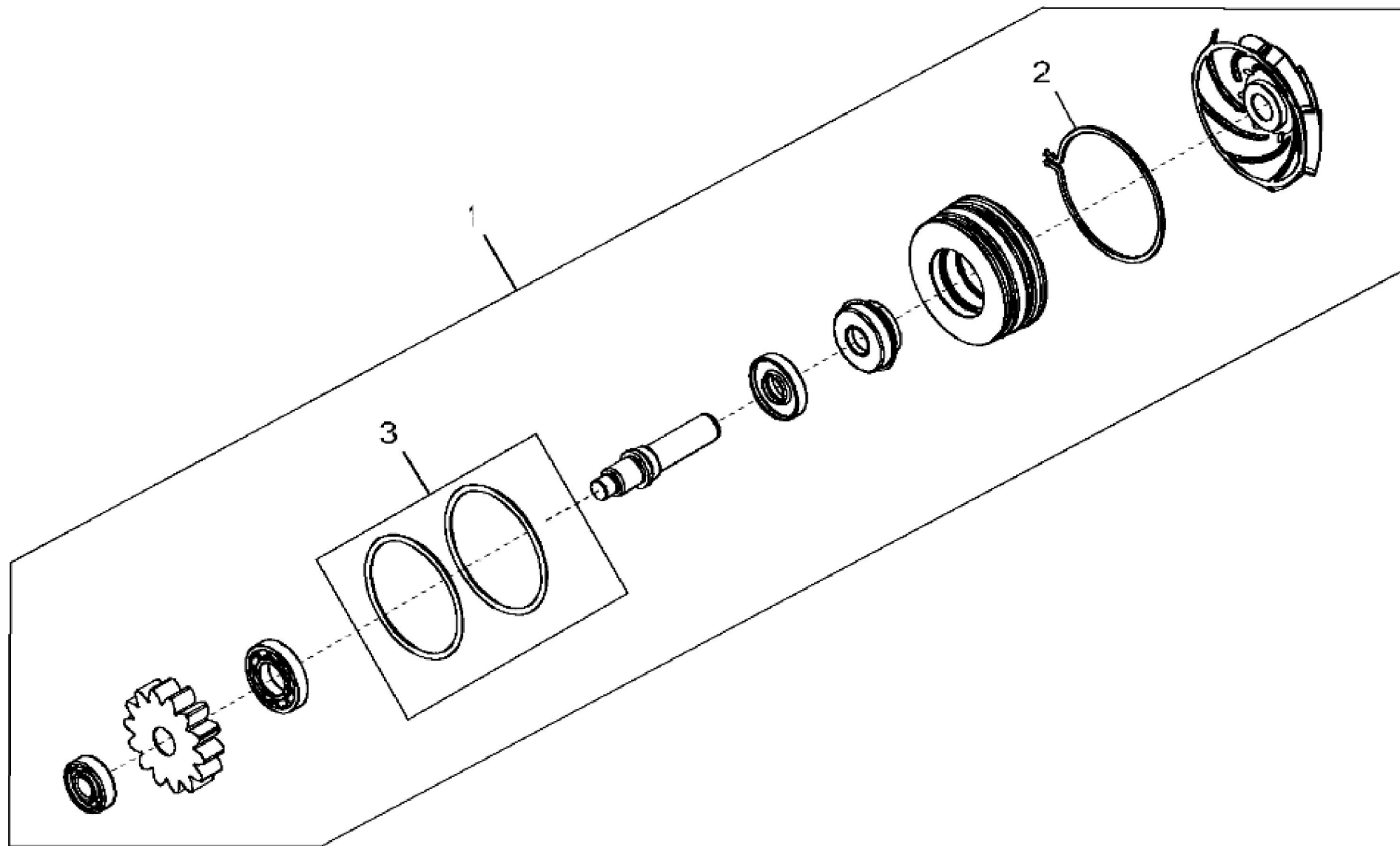
Enter the link into your browser.

The full manual is available for immediate download.

<https://www.ebooklibonline.com>



KEY	PART NO.	PART NAME	QTY	REMARKS	
1	19M9399	CAP SCREW	3	M10 X 60	
2	RE525899	OIL PUMP INTAKE	1		
3	FRAME	1		
4	24M7433	WASHER	6	10.500 X 20 X 2 mm	
5	19M8499	CAP SCREW	6	M10 X 60	
6	19M7791	BOLT	6	M12 X 40	
7	19M7815	SCREW	8	M12 X 60	
8	19M7820	SCREW	4	M12 X 100	
9	R27175	DRAIN PLUG	1		
10	R119654	DOWEL PIN	4		
11	R520844	GASKET	1	(Marked R252676)	
12	R100569	GASKET	1		





Suggest:

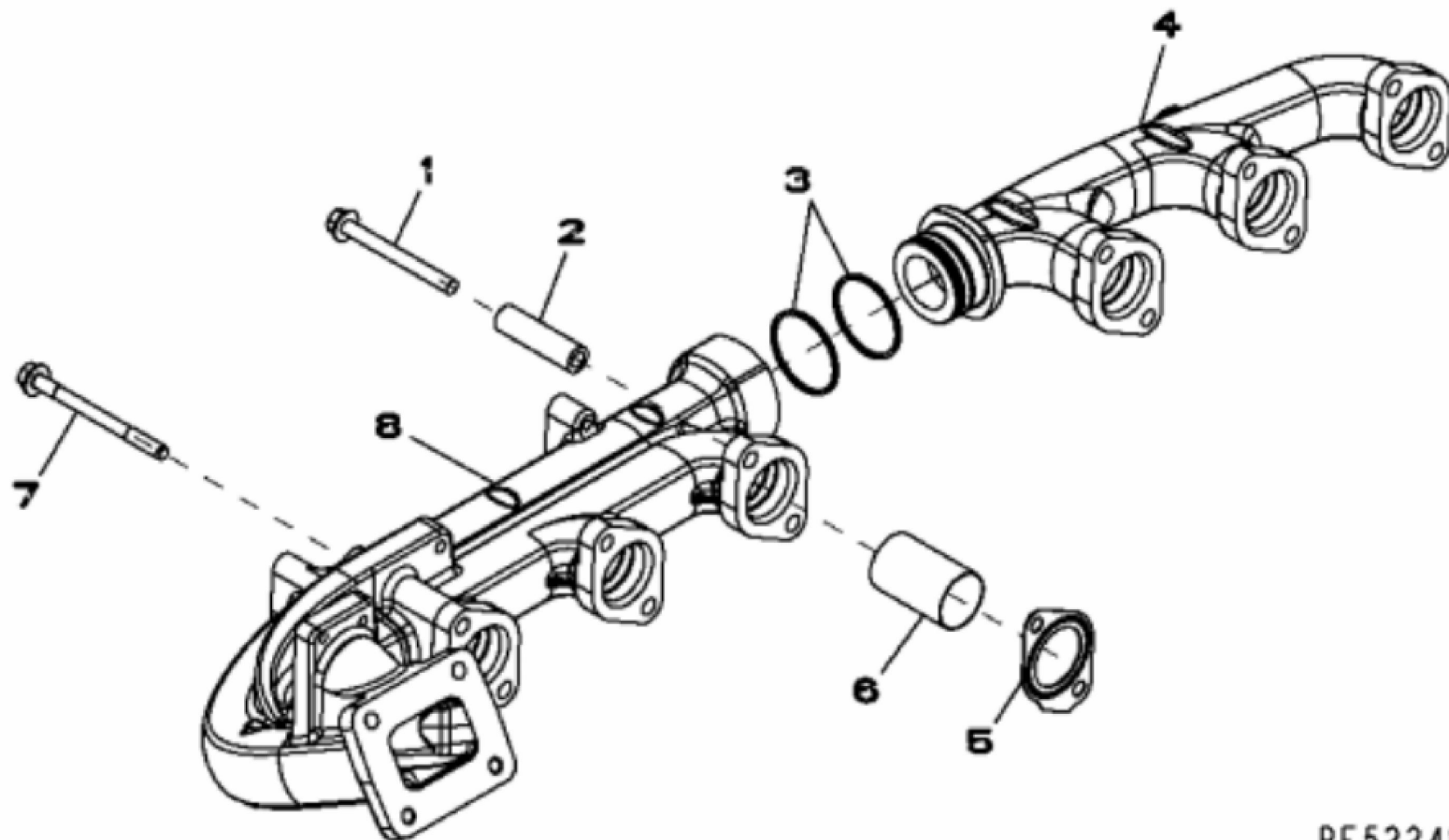
For more complete manuals. Please go to the home page.

<https://www.ebooklibonline.com>

If the above button click is invalid. Please download this document first, and then click the above link to download the complete manual.

Thank you so much for reading

KEY	PART NO.	PART NAME	QTY	REMARKS	
1	RE523828	WATER PUMP	1	ORDER RE530194	
1	SE501228	WATER PUMP REMAN	1	REMAN FOR RE523828	
1	RE530194	PUMP KIT	1	(Includes Instructions)	
2	R520701	SNAP RING	1		
3	R504778	O-RING	1		



RE522484PCDE03

<https://www.ebooklibonline.com>

Hello dear friend!

Thank you very much for reading.

Enter the link into your browser.

The full manual is available for immediate download.

<https://www.ebooklibonline.com>