

RE523129PCDK02

## BLOCK / LINERS

KEY	PART NO.	PART NAME	QTY	REMARKS
1	AT13740	DRAIN VALVE	1	
2	.....	CYLINDER LINER	6	(Order RE531072)
3	R54326	O-RING	1	
4	AR98850	O-RING KIT	6	
5	R43409	PLUG	1	
6	RE522991	ORIFICE	6	
7	RE540586	CAM FOLLOWER ROLLER	12	(Sub For RE535576)
8	RE57836	PIPE PLUG	3	
9	51M7044	O-RING	1	17.300 X 2.200 mm
10	RE519144	SENSOR	2	
11	RE71255	PIPE PLUG	5	
12	RE167207	SENSOR	1	
13	R120953	BEARING CAP	6	
14	R519287	CAP SCREW	14	
15	R120954	BEARING CAP	1	
16	R82007	PLUG	1	
17	.....	CYLINDER BLOCK	1	NSEP (Marked R518738or R502997) (Order RE531095)
18	R527877	BUSHING	6	(Sub ForR87561)
19	R522884	CAMSHAFT	1	
19	SE501775	CAMSHAFT REMAN	1	(Reman For R522884)
20	26H91	SHAFT KEY	1	3/16" X 1-1/4"
21	R504811	WASHER	1	
22	R518255	GEAR	1	
23	R528098	GEAR	1	(Sub For R518212)

**<https://www.ebooklibonline.com>**

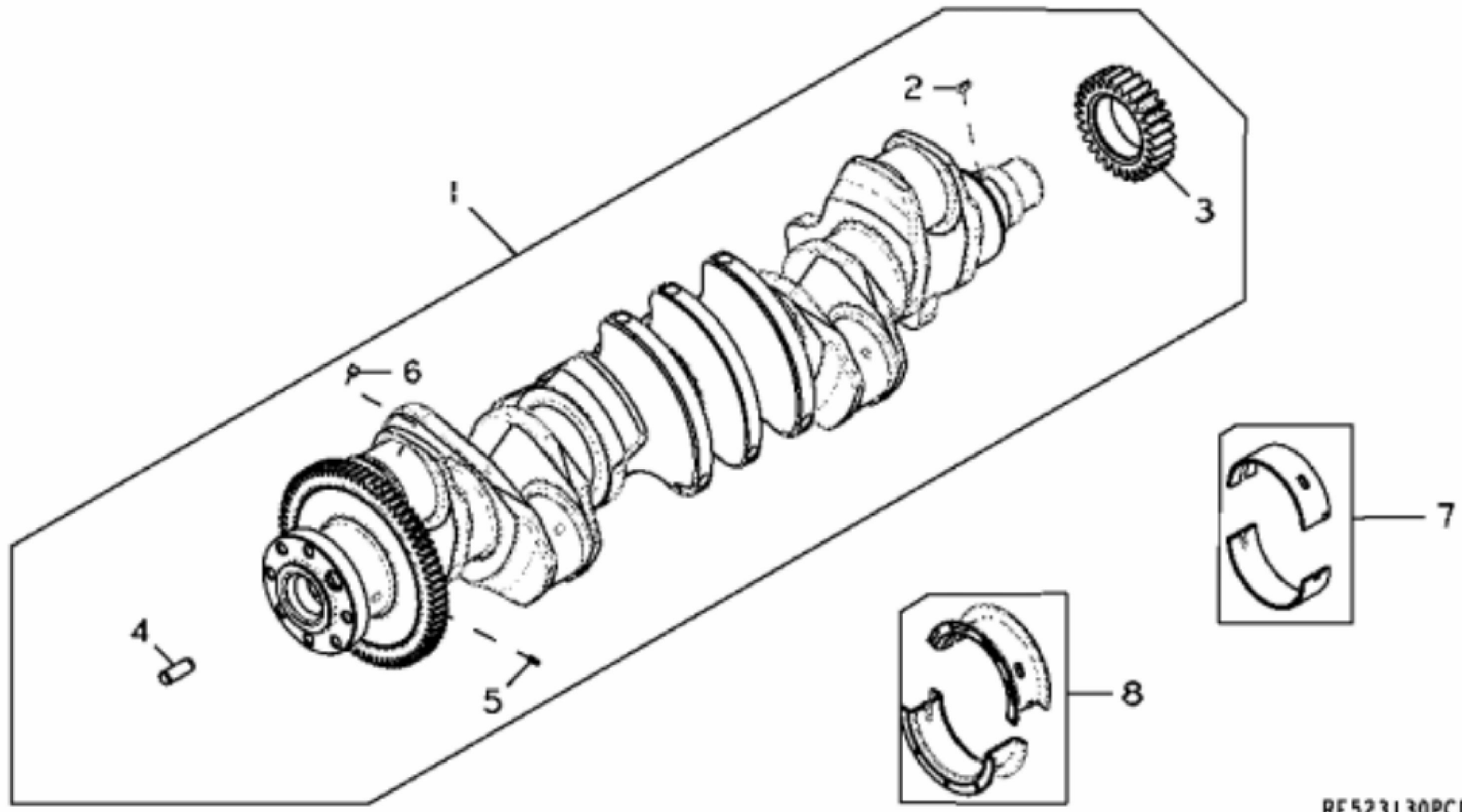
Hello dear friend!

Thank you very much for reading.

Enter the link into your browser.

The full manual is available for immediate download.

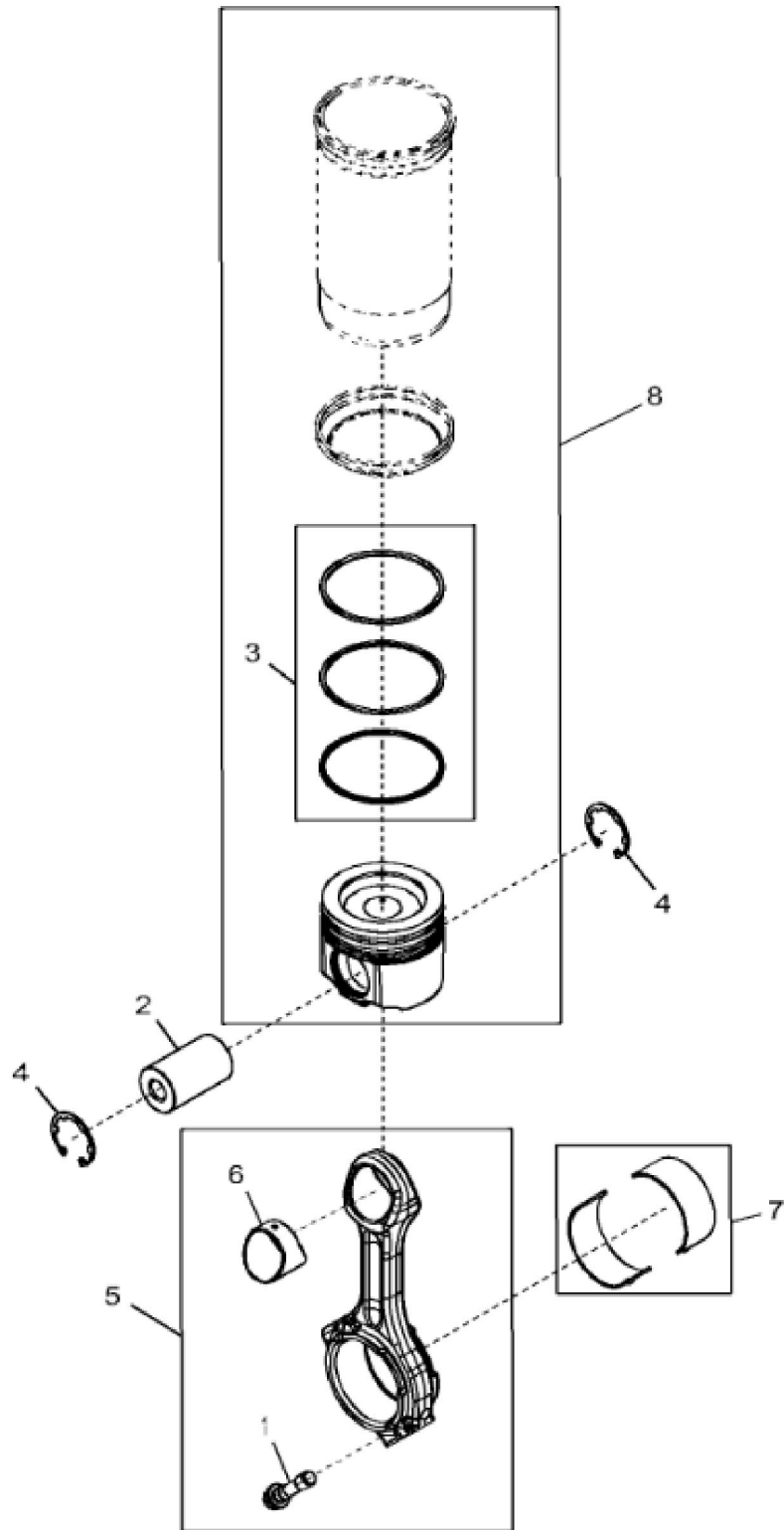
**<https://www.ebooklibonline.com>**



RE523130PCDF02

John Deere > Agriculture > TRACTOR >8320R - TRACTOR >8320R Tractor (S.N. 001001 - 052200)(6090HRW Engine)(Russian Edition) >20 ENGINE 6090HRW48-RE533833 >ST130090 - 4701 CRANKSHAFT / BEARINGS

KEY	PART NO.	PART NAME	QTY	REMARKS	
1	RE532615	CRANKSHAFT	1	(Sub For RE530668)	
1	RE540429	CRANKSHAFT	1	(Sub For RE530668, RE532615 and RE534315) (Marked R526075) (Also Order RE529775)	
1	SE501774	CRANKSHAFT REMAN	1	(With Bearings) (Reman For RE534315) (Also Order RE529775)	
2	R120752	KEY	1		
3	R104587	GEAR	1		
4	R41934	DOWEL PIN	1		
5	34M7089	SPRING PIN	1		
6	AT107510	PLUG	1		
7	RE529319	BEARING	6	(Marked R519427 and R519428)	
8	RE529320	THRUST BEARING	1	(Marked R519429 or R519430)	





**Suggest:**

**For more complete manuals. Please go to the home page.**

**<https://www.ebooklibonline.com>**

**If the above button click is invalid. Please download this document first, and then click the above link to download the complete manual.**

**Thank you so much for reading**

John Deere > Agriculture > TRACTOR > 8320R - TRACTOR > 8320R Tractor (S.N. 001001 - 052200)(6090HRW Engine)(Russian Edition) > 20 ENGINE 6090HRW48-RE533833 > ST130092 - 4801 CONNECTING RODS AND PISTONS

KEY	PART NO.	PART NAME	QTY	REMARKS
1	R542878	CAP SCREW	2	SUB FOR R501035
2	DZ101959	PISTON PIN	6	OD = 47 mm; LGTH = 79 mm, SUB FOR R517073
3	DZ10083	PISTON RING	1	PKG (3), SUB FOR RE539642
4	R519640	SNAP RING	12	
5	DZ100117	CONNECTING ROD	6	MARKED DZ100421; SUB FOR RE535554 OR RE517436
5	SE501759	CONNECTING ROD REMAN	6	REMAN FOR RE535554
6	R74008	BUSHING	1	
7	RE529318	BEARING	6	
8	DZ10211	PISTON-LINER KIT	6	SUB FOR RE545266 OR RE571507



**<https://www.ebooklibonline.com>**

Hello dear friend!

Thank you very much for reading.

Enter the link into your browser.

The full manual is available for immediate download.

**<https://www.ebooklibonline.com>**