

John Deere > Agriculture > TRACTOR > 8270R - TRACTOR > 8270R Tractor (S.N. 000101 - 053099)(Worldwide) > 20 ENGINE 6090HRW65, 6090HRW73-RE539266-RE539264 > ST130073 - 1102 ROCKER ARM COVER

KEY	PART NO.	PART NAME	QTY	REMARKS	
1	RE529871	ELBOW FITTING	1	SUB FOR RE527976	
2	T122075	O-RING	1		
3	19M8291	SCREW	15	M8 X 35	
4	RE536705	COVER	1	MARKED R545610; SUB FOR RE529972	
5	R523317	BREATHER	1	SUB FOR R518264	
6	RE526690	CAP SCREW	2		
7	RE526689	CAP SCREW	1		
8	R527884	GASKET	1		

<https://www.ebooklibonline.com>

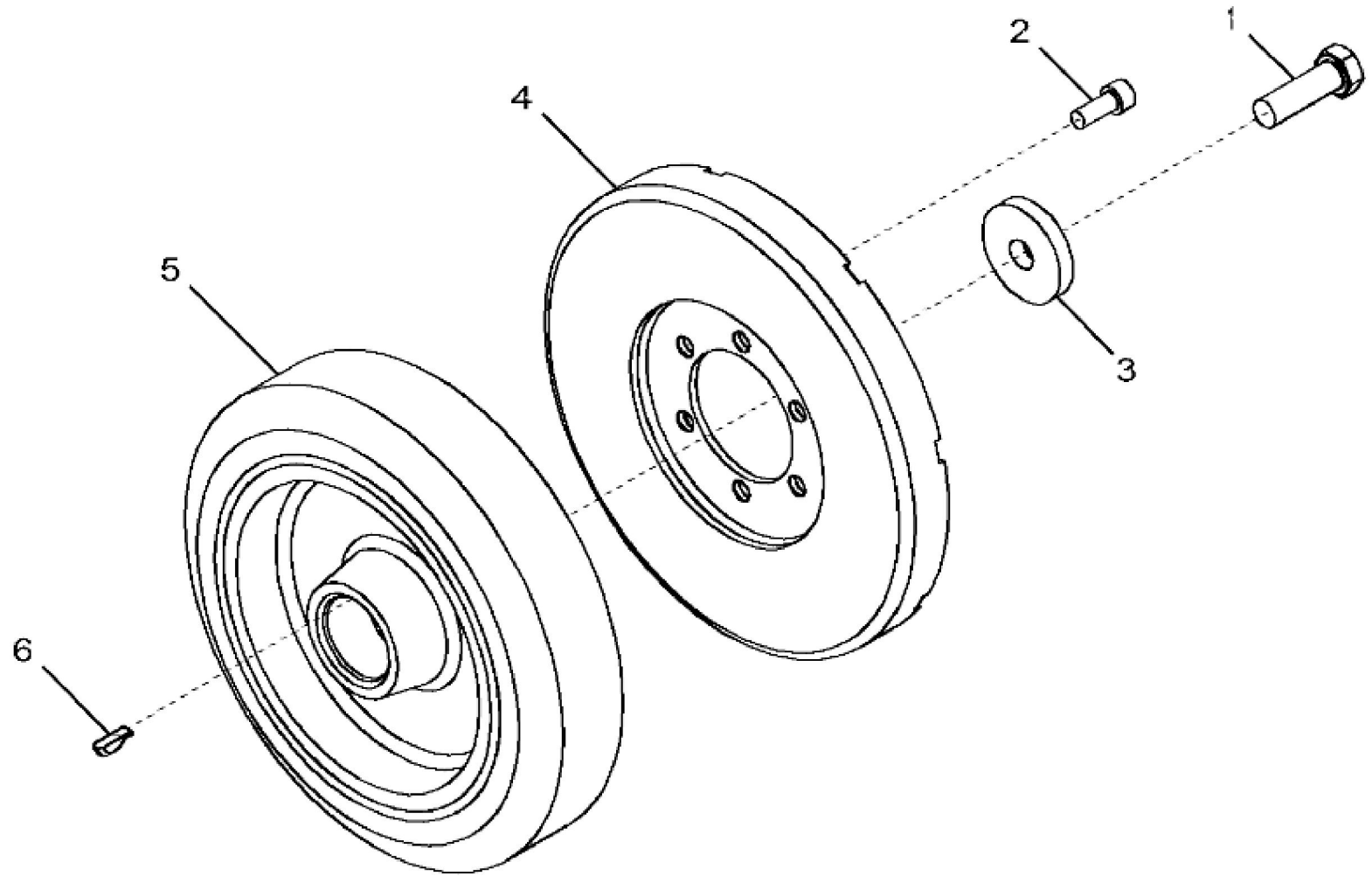
Hello dear friend!

Thank you very much for reading.

Enter the link into your browser.

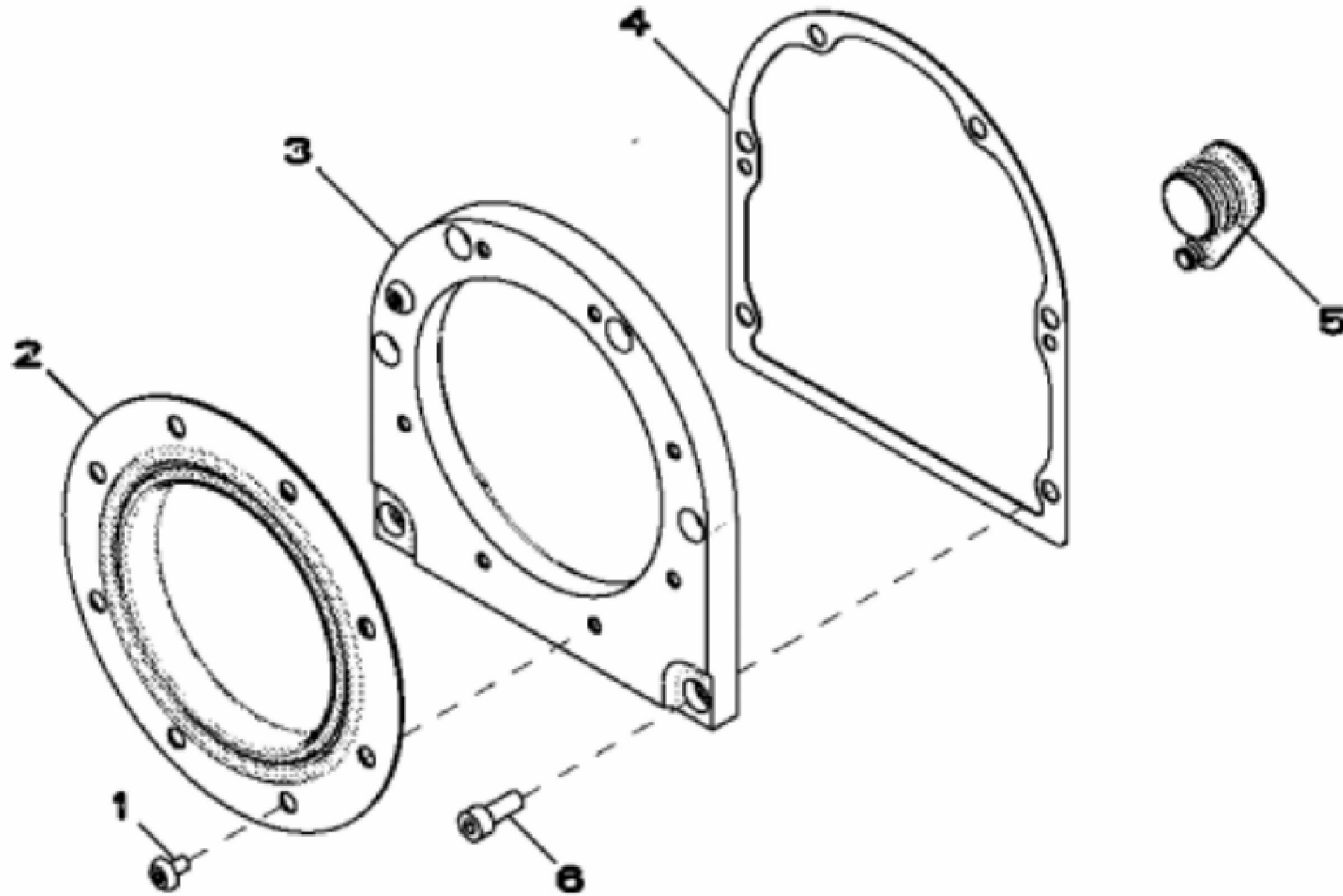
The full manual is available for immediate download.

<https://www.ebooklibonline.com>



1341_RE523047_PCD

KEY	PART NO.	PART NAME	QTY	REMARKS	
1	19M8889	CAP SCREW	1	M16 X 50	
2	19M8533	SCREW	6	M10 X 25	
3	R26333	WASHER	1		
4	RE57604	TORSIONAL DAMPER	1		
5	RE520465	TORSIONAL DAMPER	1		
6	R523306	KEY	1		



RE523301PCDH02



Suggest:

For more complete manuals. Please go to the home page.

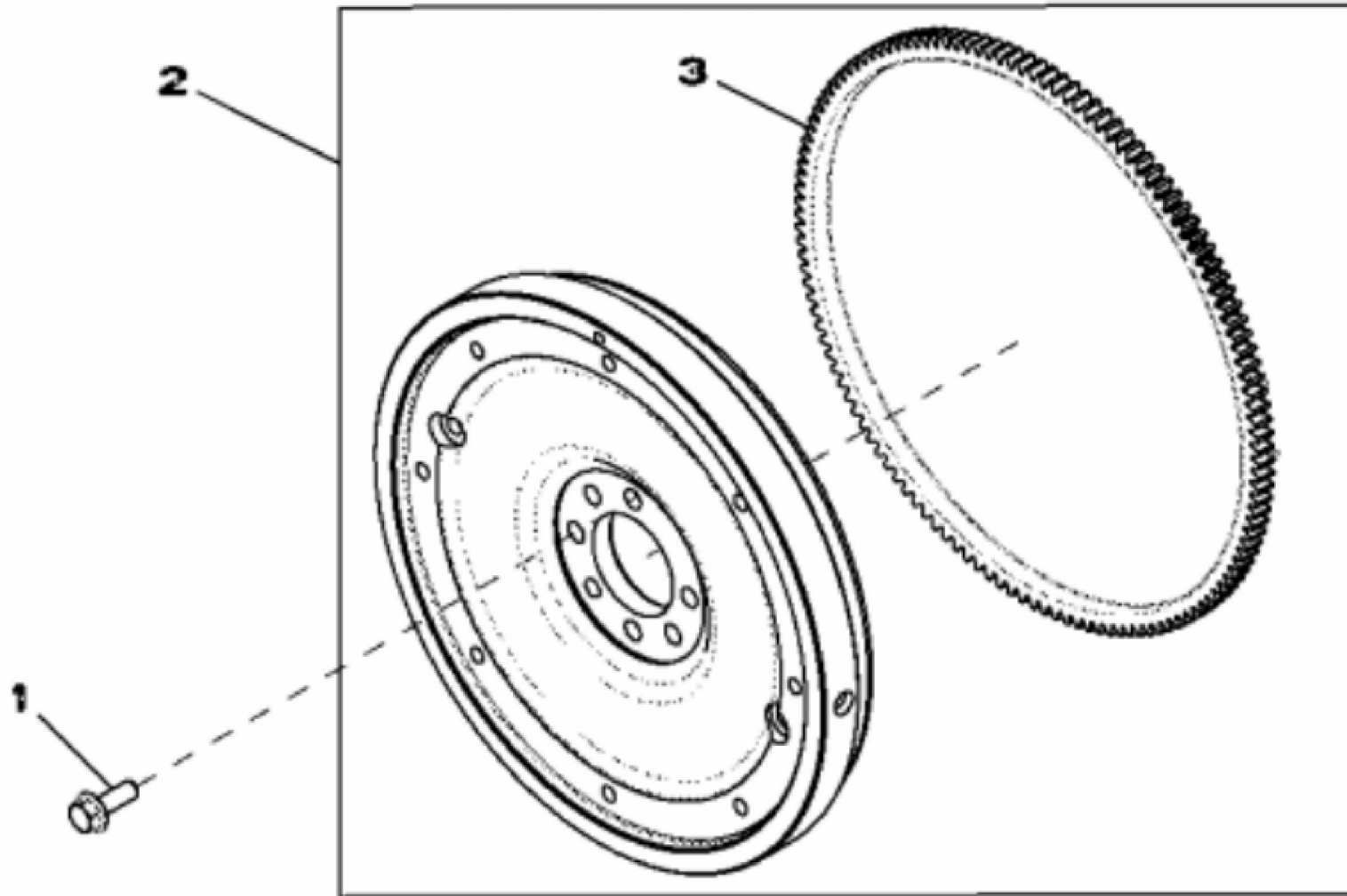
<https://www.ebooklibonline.com>

If the above button click is invalid. Please download this document first, and then click the above link to download the complete manual.

Thank you so much for reading

OIL SEAL / HOUSING

KEY	PART NO.	PART NAME	QTY	REMARKS	
1	R522160	SCREW	8		
2	RE530121	SEAL	1		
3	R530233	HOUSING	1		
4	R522768	GASKET	1		
5	R121929	PLUG	1		
6	19M8446	SCREW	6	M8 X 20	



RE522627PCDA02

<https://www.ebooklibonline.com>

Hello dear friend!

Thank you very much for reading.

Enter the link into your browser.

The full manual is available for immediate download.

<https://www.ebooklibonline.com>