

KEY	PART NO.	PART NAME	QTY	Engine Serial No.	REMARKS
1	R43409	PLUG	2		
2	R515224	STUD	5		(FUEL INJECTION PUMP) (SUB FOR R114130)
3	.....	DIPSTICK TUBE	1		141.5 MM (5.57")
4	AT13740	DRAIN VALVE	1		
5	R36599	PLUG	3		
5	RE57836	PIPE PLUG	1		12.700 mm (1/2")
6	R39741	DRAIN PLUG	1		
7	U13639	O-RING	1		37.465 X 2.997 mm (1.475" X 0.118")
8	15H690	PIPE PLUG	1		3/4"
8	RE71255	PIPE PLUG	1		3.175 mm (1/8"), (SUB FOR R104592, THIS APPLICATION)
9	R42340	BUSHING	2		
10	R1612R	DOWEL PIN	2		
11	F1743R	DOWEL PIN	2		
12	RE71255	PIPE PLUG	6		3.175 mm (1/8")
12	RE71255	PIPE PLUG	1		3.175 mm (1/8"), (SUB FOR R104592, THIS APPLICATION)
13	R43621	ORIFICE	6		(AUXILIARY DRIVE IDLER HOLE)
14	T35390	PLUG	1		
15	R500642	BUSHING	2		(SUB FOR R62930, THIS APPLICATION)
16	A4365R	O-RING	1		
17	DZ104494	PLUG	1		SUB FOR AR61589
18	R27149	O-RING	1		
19	AR61533	PLUG	1		
20	R122364	BOLT	14		(SUB R519287)
21	R120953	BEARING CAP	6		(MAIN)
21	R120954	BEARING CAP	1		(THRUST)
22	R82007	PLUG	1		
23	R87561	BUSHING	4		
24	R61288	DOWEL PIN	1		
25	15H686	PIPE PLUG	1		1"
26	R501255	PLUG	1	XXXXXX-____	(AUXILIARY DRIVE IDLER HOLE) (1.27"), (NOT AS SHOWN) (FROST PLUG)
26	R128670	CAP SCREW	1	____-XXXXXX	(AUXILIARY DRIVE IDLER HOLE) (USE WITH B2762R)

**<https://www.ebooklibonline.com>**

Hello dear friend!

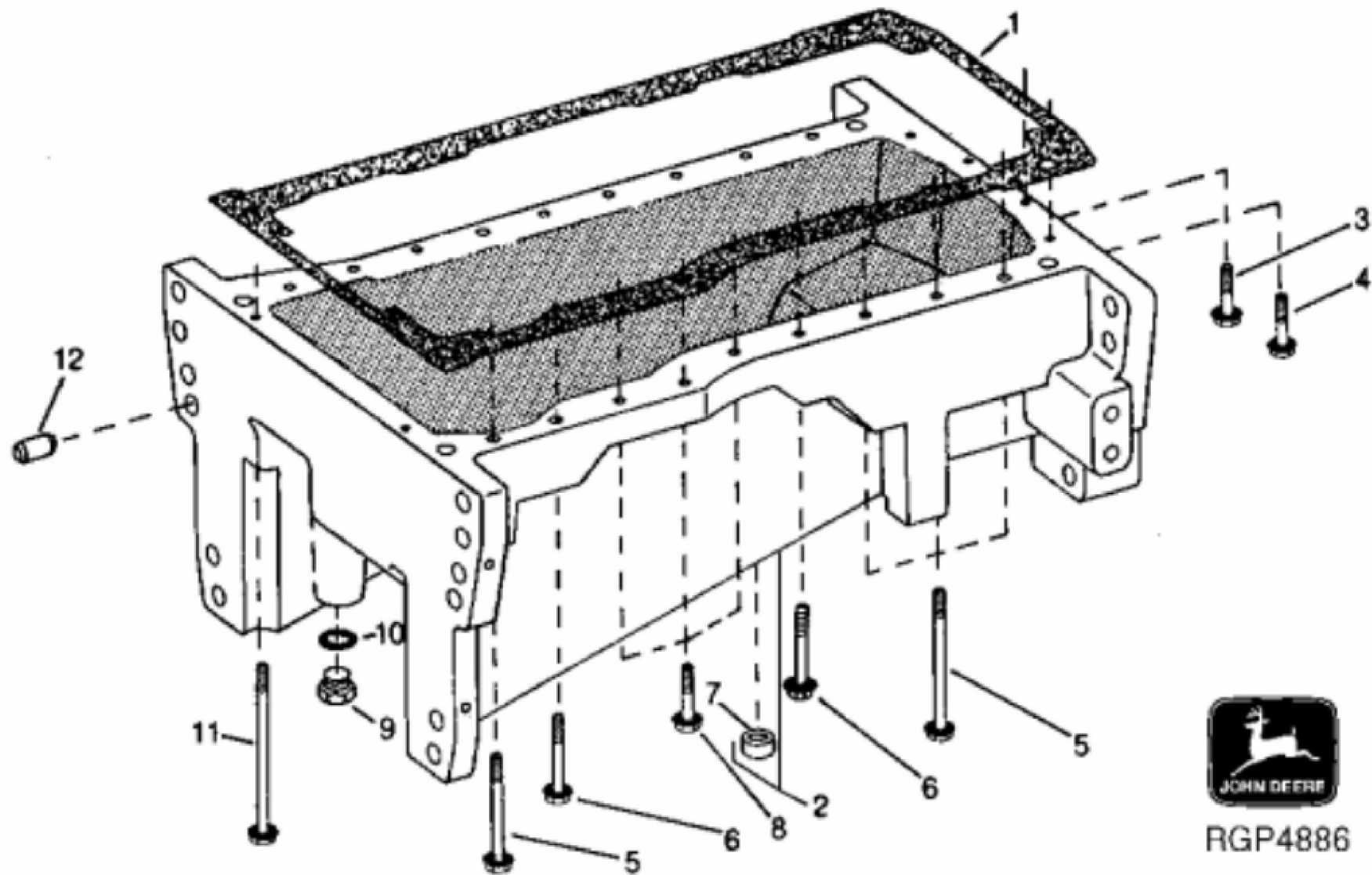
Thank you very much for reading.

Enter the link into your browser.

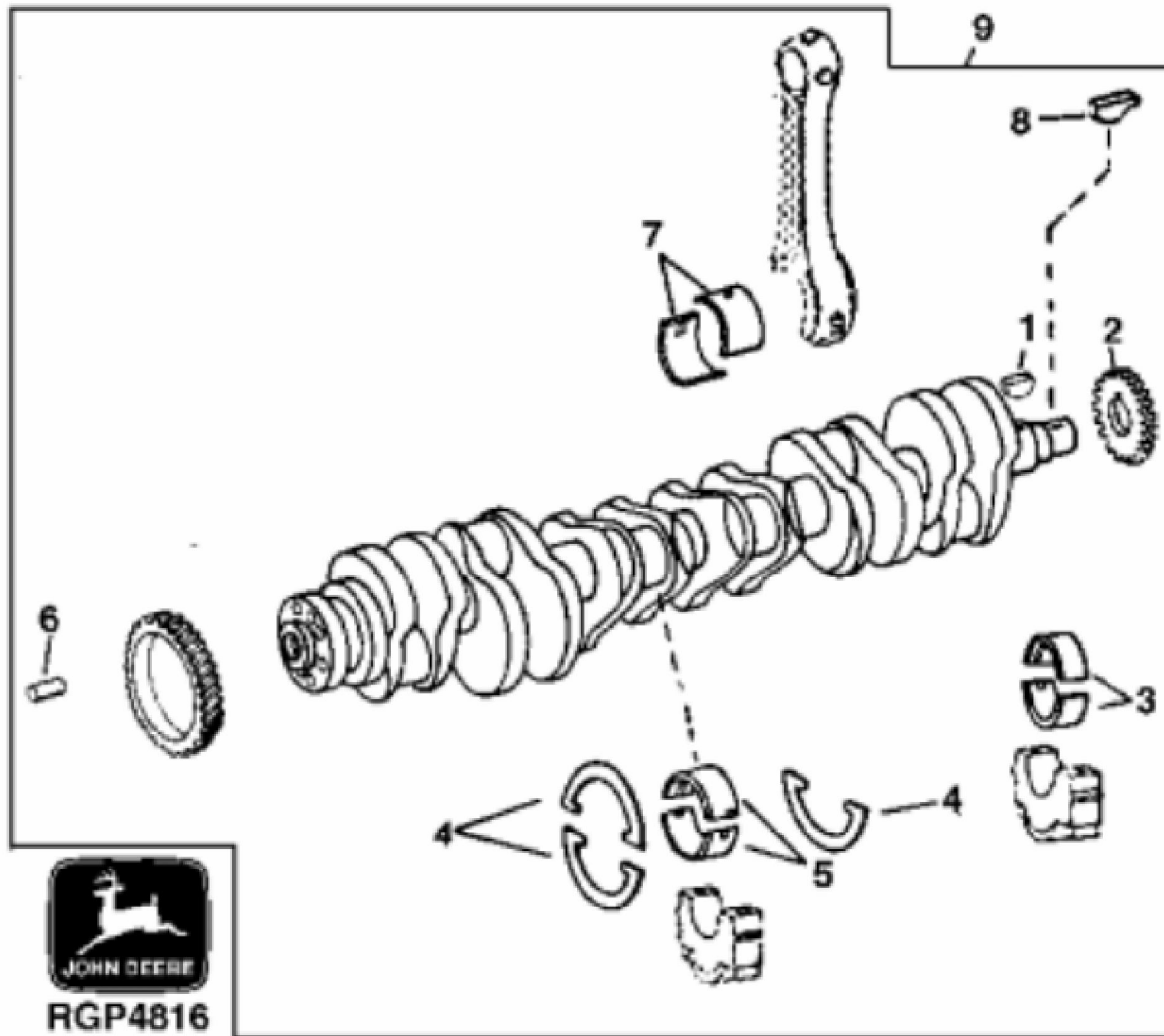
The full manual is available for immediate download.

**<https://www.ebooklibonline.com>**

KEY	PART NO.	PART NAME	QTY	Engine Serial No.	REMARKS
27	B2762R	O-RING	1	____-XXXXXX	(AUXILIARY DRIVE IDLER HOLE) 18.644 X 3.531 mm (47/64" X 0.139"), (USE WITH R128670)
28	R126812	ELBOW FITTING	1		(SUB FOR R120187, THIS APPLICATION)
..	.....	CYLINDER BLOCK	NA		
..	R71732	O-RING	1		(ENGINE OIL BYPASS)



KEY	PART NO.	PART NAME	QTY	REMARKS	
1	R125855	GASKET	1		
2	RE161680	OIL PAN	1	(MARKED R159676)	
2	19M7963	CAP SCREW	2	M20 X 100	
3	R122474	SCREW	2	.375 X 2.25	
4	R121395	SCREW	2	.375 X 1.875	
5	R122477	SCREW	8	.500 X 6.000	
6	R122476	CAP SCREW	4	.500 X 4.000	
7	ET14521	BUSHING	4		
8	R122475	CAP SCREW	6	.500 X 2.500	
9	R27175	DRAIN PLUG	1		
10	F3171R	O-RING	1		
11	R126912	SCREW	2	.375 X 7.750	
12	R119654	DOWEL PIN	6		





**Suggest:**

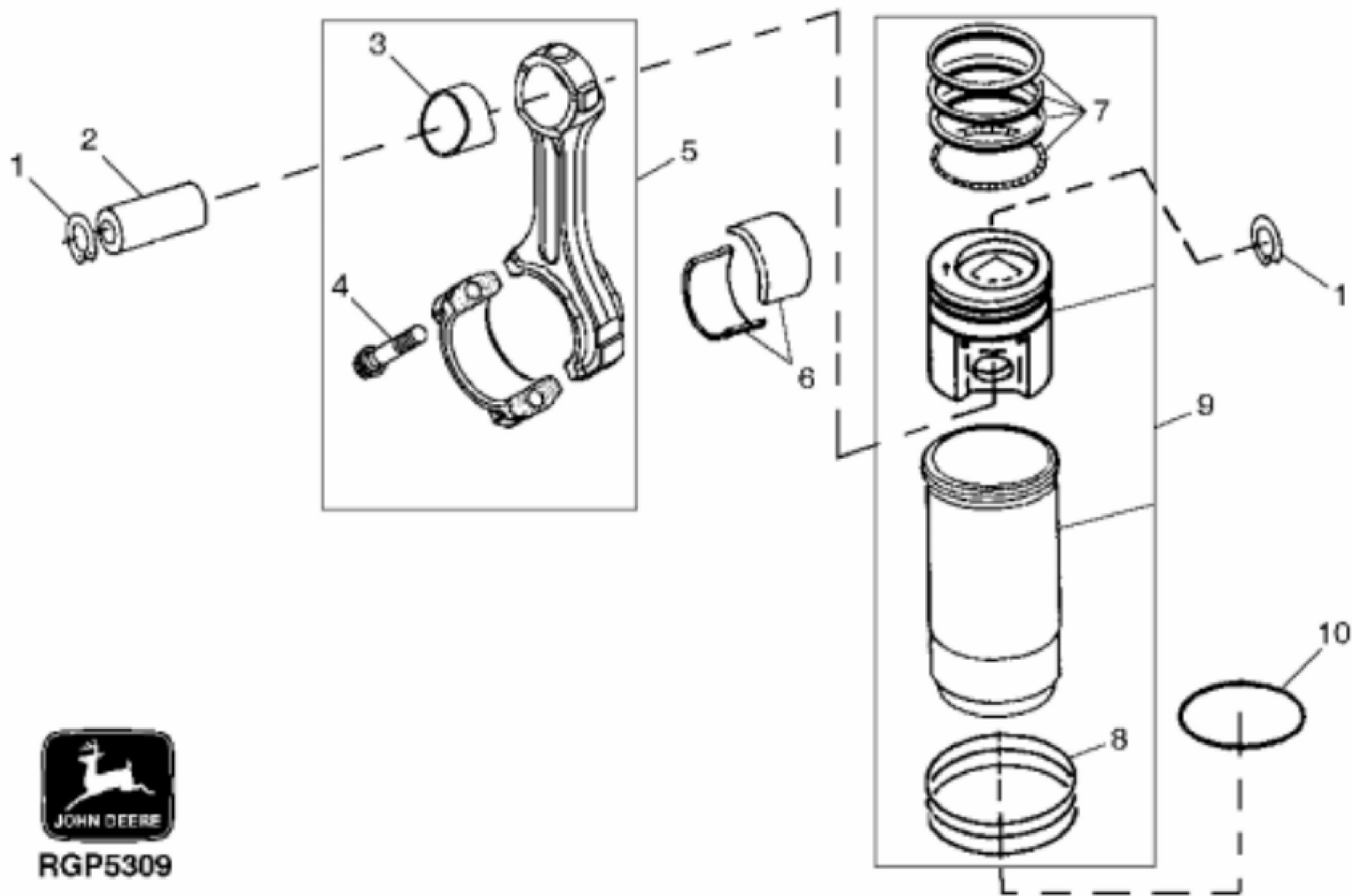
**For more complete manuals. Please go to the home page.**

**<https://www.ebooklibonline.com>**

**If the above button click is invalid. Please download this document first, and then click the above link to download the complete manual.**

**Thank you so much for reading**

KEY	PART NO.	PART NAME	QTY	REMARKS	
1	R120752	KEY	1	3.175 X 15.870 mm (1/8" X 5/8")	
2	R104587	GEAR	1		
3	RE504196	BEARING	6	.292 MM (.011") US, (PKG R502317 AND R502321), (SUB FOR RE57172)	
4	RE61851	THRUST WASHER	1	0.18MM (.007") OS FLANGE, (PKG R124842)	
5	RE504199	THRUST BEARING	1	.292 MM (.011") US, (PKG R502315 AND R502319), (SUB FOR RE57177)	
6	R41934	DOWEL PIN	1		
7	R116081	BEARING	12	PKG(2), STD	
8	R116311	KEY	1		
9	RE61268	CRANKSHAFT	1	(MARKED R122654 OR RE58781)	



**RGP5309**

**<https://www.ebooklibonline.com>**

Hello dear friend!

Thank you very much for reading.

Enter the link into your browser.

The full manual is available for immediate download.

**<https://www.ebooklibonline.com>**