

MP15626

KEY	PART NO.	PART NAME	QTY	REMARKS
1	M801186	BOLT	18	
2	M806505	ENGINE CYLINDER HEAD GASKET	1	
3	AM878629	CYLINDER BLOCK	1	(B) (INCLUDES (4) 400R)(INCLUDES PARTS MARKED (A))
4	CH10335	PLUG	3	(A) (B)
5	CH10570	O-RING	2	
6	15H562	PIPE PLUG	1	(B) 1"
7	15H558	PIPE PLUG	1	1/8"
8	M806840	PLUG	1	(A) (B)
9	M87801	PLUG	2	(A) (B)
10	30M7023	PLUG	8	(A) (B)
11	CH10554	PACKING	4	(B) (SUB FOR R180245)
12	CH15002	PLUG	1	(B)
13	19M7864	SCREW	4	(B) M8 X 12
14	M800974	PIPE	2	(A) (B)
15	M800977	BUSHING	1	(A) (B)
16	M801189	BOLT	10	(A) (B)
17	AM875371	BEARING KIT	5	(A) (B) STD
17	AM875374	BEARING KIT	5	(A) .25 MM (.010") OS
18	AM875373	BEARING KIT	2	(A) (B) THRUST
19	M800978	SHAFT	1	(A) (B) IDLER
20	CH19101	BOLT	2	(A) (B)
21	M89143	GUIDE	1	
22	AM100856	SWITCH	1	OIL PRESSURE
23	M112792	DRAIN PLUG	1	
24	M802255	PIN	2	(A) (B)
25	CH18079	SPRING PIN	2	(A) (B)
26	CH10571	PACKING	1	
27	19M7865	SCREW	1	M8 X 16
28	DIPSTICK	1	(M806511 NLA)
29	GUIDE	1	(M801196 NLA)
30	BEARING CAP	1	(A) (B) (ORDER AM878629 BLOCK)
31	BEARING CAP	4	(A) (B) (ORDER AM878629 BLOCK)
..	KV22843	SHORT BLOCK ASSEMBLY	1	(INCLUDES PARTS MARKED (B)) (REPLACES ENGINE MG9844678)
..	RG60805	SHORT BLOCK ASSEMBLY	1	(SUB FOR KV22843)

<https://www.ebooklibonline.com>

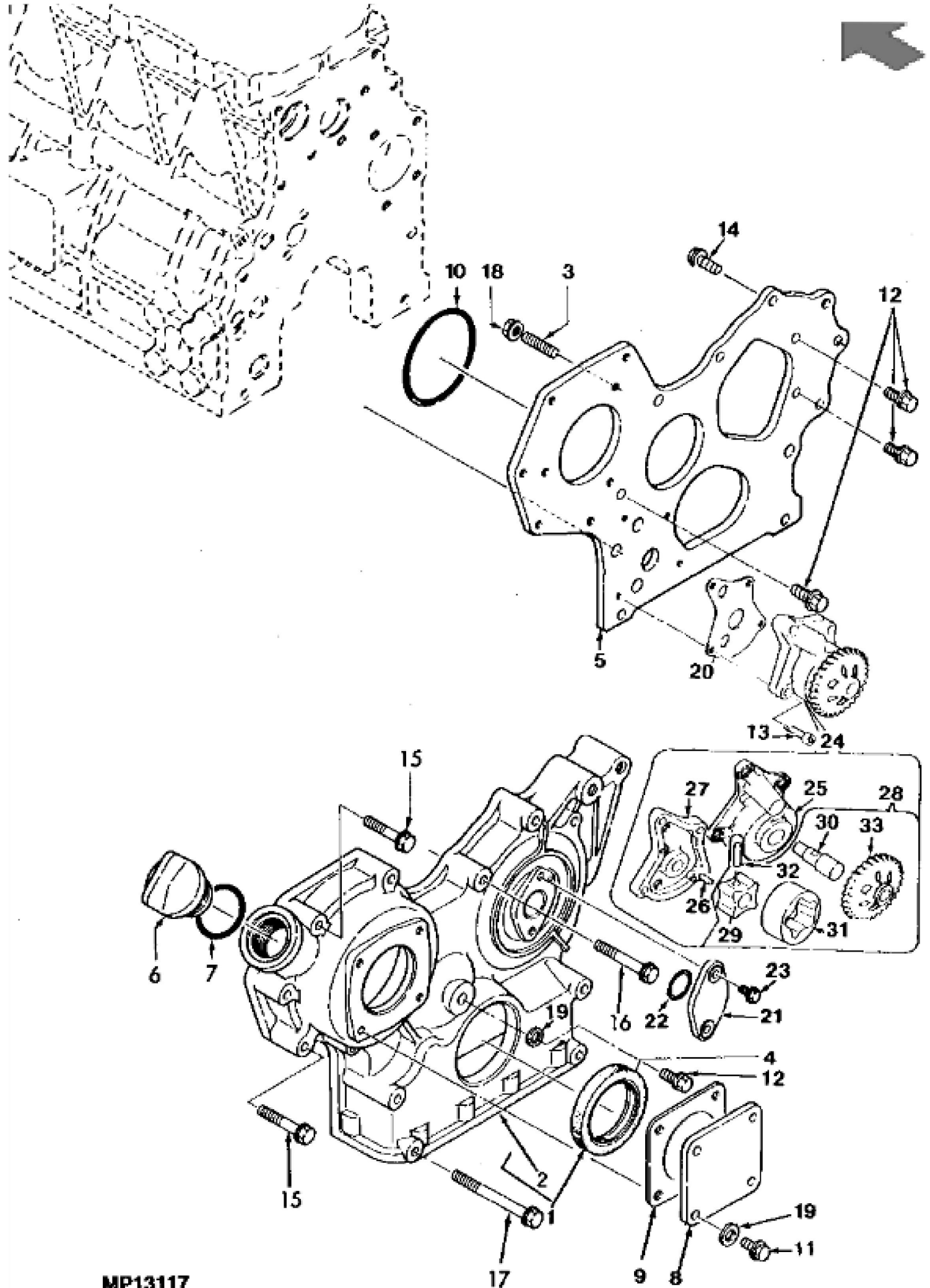
Hello dear friend!

Thank you very much for reading.

Enter the link into your browser.

The full manual is available for immediate download.

<https://www.ebooklibonline.com>



MP13117

KEY	PART NO.	PART NAME	QTY	REMARKS
1	AM875303	COVER	1	(A) (B)
2	COVER	1	(ORDER AM875303)
3	CH15722	STUD	3	(A)
4	M800988	SEAL	1	(A)
5	M800989	PLATE	1	(A)
6	M805710	CAP	1	(A)
7	M805711	PACKING	1	(A)
8	CH18096	COVER	1	(A)
9	M805696	GASKET	1	(A)
10	CH16940	O-RING	1	(A)
11	19M7864	SCREW	4	(A) M8 X 12
12	19M7865	SCREW	4	(A) M8 X 16
13	M800676	BOLT	4	
14	19M7866	SCREW	2	(A) M8 X 20
15	CH19101	BOLT	6	(A) (B)
16	19M7979	SCREW	3	M8 X 55
17	CH19136	BOLT	4	(A)
18	14M7298	FLANGE NUT	3	(A) M8
19	WASHER	5	(M806424 NO LONGER AVAILABLE), (ORDER M803527)
20	M801005	GASKET	1	
21	M87874	COVER	1	
22	CH17653	PACKING	1	
23	19M7774	SCREW	2	M6 X 12
24	AM878891	OIL PUMP	1	(SUB FOR AM875377)
25	HOUSING	1	(ORDER AM878891)
26	CH10539	SPRING PIN	2	
27	COVER	1	(ORDER AM878891)
28	ROTOR	1	(ORDER AM878891) (SUB FOR AM875378)
29	ROTOR	1	INNER, (ORDER AM878891) (SUB FOR AM875378)
30	SHAFT	1	(ORDER AM878891) (SUB FOR AM875378)
31	ROTOR	1	OUTER, (ORDER AM878891) (SUB FOR AM875378)
32	PIN	1	(ORDER AM878891) (SUB FOR AM875378)
33	GEAR	1	(ORDER AM878891) (SUB FOR AM875378)
..	AM878200	GEAR CASE	1	(INCLUDES PARTS MARKED (A))



Suggest:

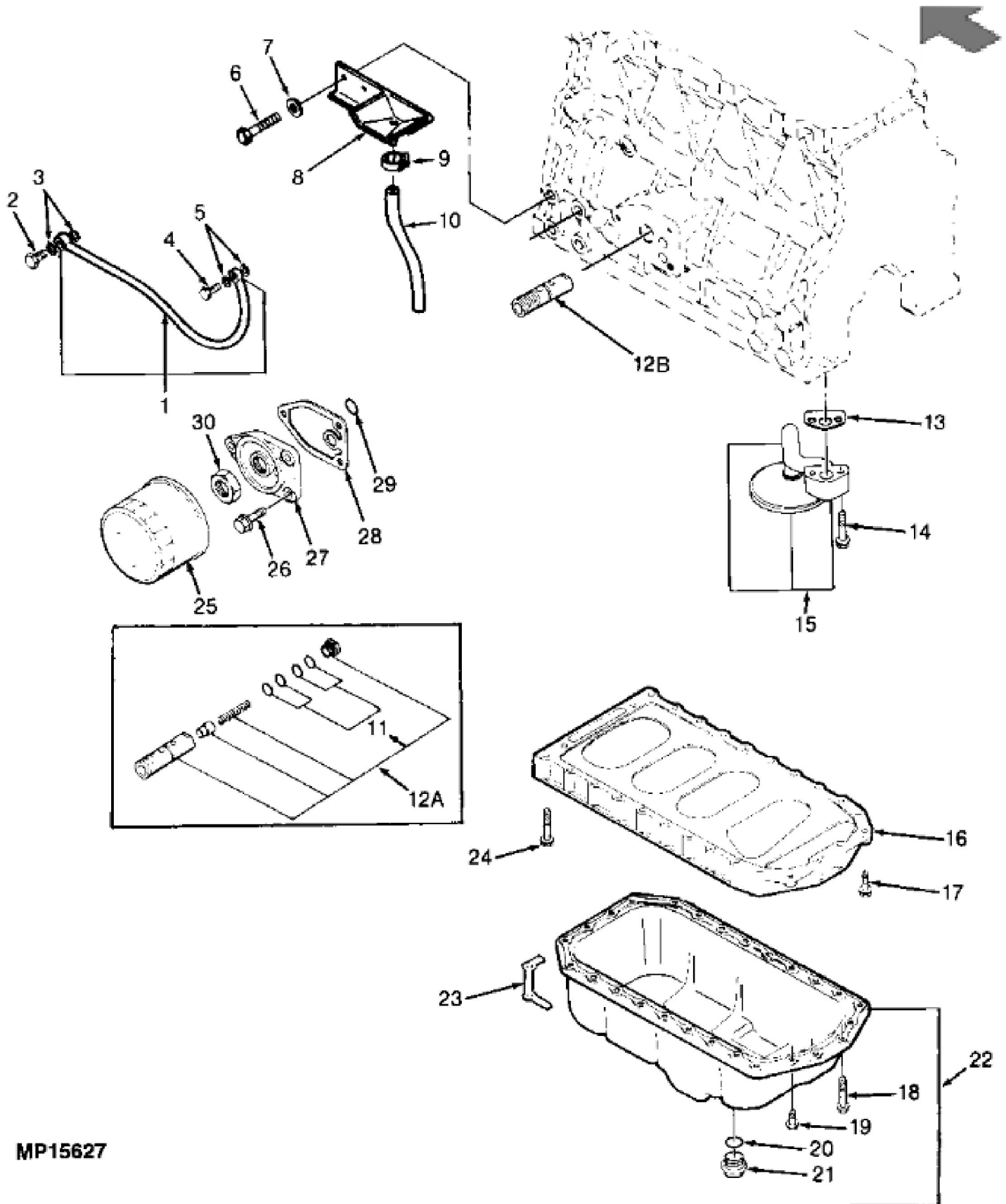
For more complete manuals. Please go to the home page.

<https://www.ebooklibonline.com>

If the above button click is invalid. Please download this document first, and then click the above link to download the complete manual.

Thank you so much for reading

KEY	PART NO.	PART NAME	QTY	REMARKS	
..	KV22843	SHORT BLOCK ASSEMBLY	1	(INCLUDES PARTS MARKED (B)) (REPLACES ENGINE MG9844678)	
..	RG60805	SHORT BLOCK ASSEMBLY	1	(SUB FOR KV22843)	



MP15627

<https://www.ebooklibonline.com>

Hello dear friend!

Thank you very much for reading.

Enter the link into your browser.

The full manual is available for immediate download.

<https://www.ebooklibonline.com>