

KEY	PART NO.	PART NAME	QTY	Engine Serial No.	REMARKS	
1	H23125	PLUG	4			
2	R123574	NUT	4			
3	R123575	O-RING	4			
4	RE70401	VALVE COVER	1	____-XXXXXX		
4	RE502969	VALVE COVER	1	XXXXXX-____		
5	R123542	GASKET	1			
5	RE520539	GASKET KIT	AR		(HIGH TEMPERATURE)	
6	RE59801	PLUG	1			
7	R116324	MEDALLION	1			

<https://www.ebooklibonline.com>

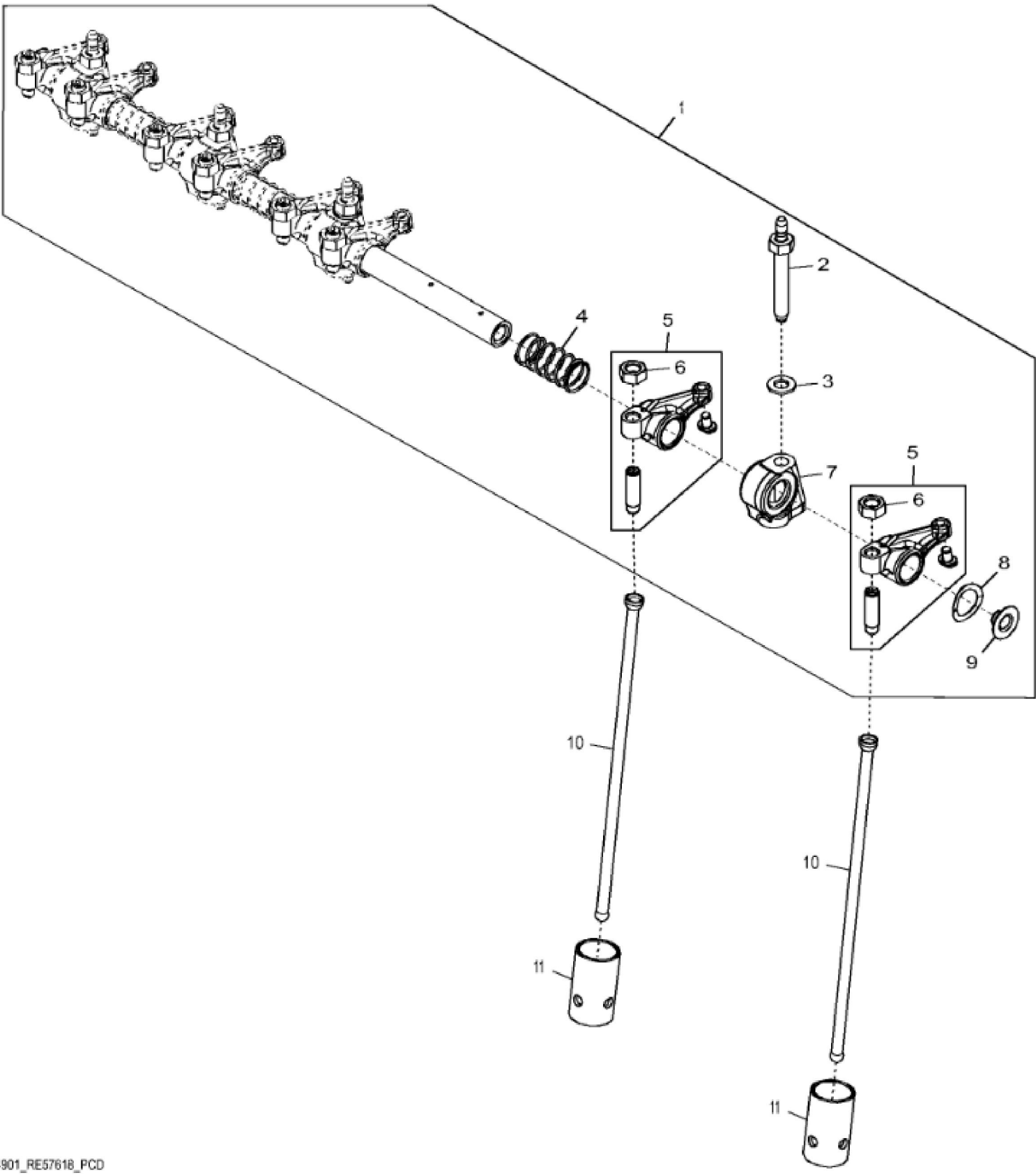
Hello dear friend!

Thank you very much for reading.

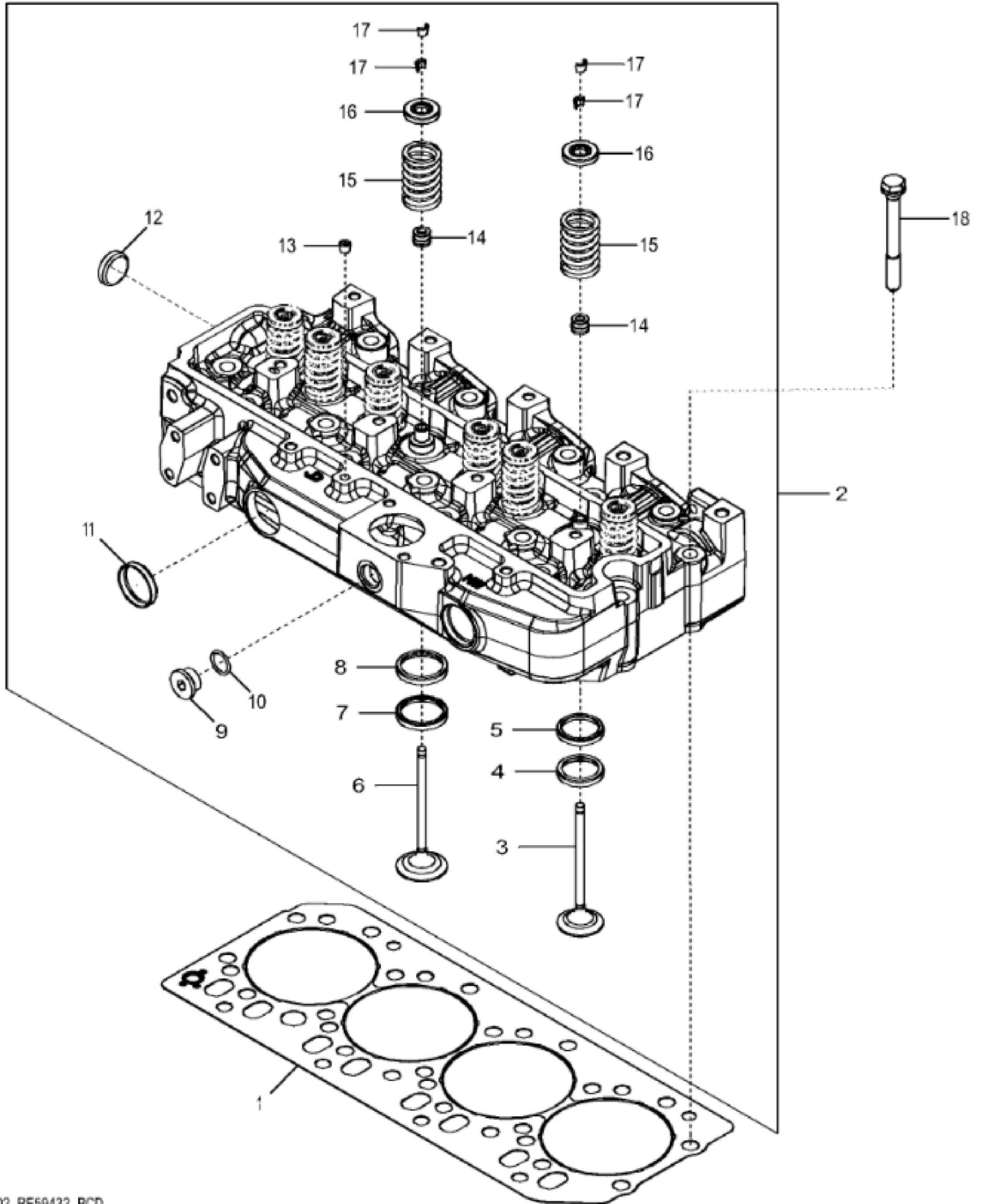
Enter the link into your browser.

The full manual is available for immediate download.

<https://www.ebooklibonline.com>



KEY	PART NO.	PART NAME	QTY	REMARKS	
1	RE548059	ROCKER ARM SHAFT	1	SUB FOR RE519736 OR RE547827	
2	R123271	STUD	4		
3	R529416	WASHER	4		
4	T20314	SPRING	3		
5	RE508317	ROCKER ARM	8	SUB FOR RE68695	
6	14M7148	NUT	1	M10	
7	R123161	SUPPORT	4		
8	T20316	WASHER	2		
9	R54565	PLUG	2		
10	R107731	PUSH ROD	8		
11	DZ101670	CAM FOLLOWER	8	SUB FOR R123565	





Suggest:

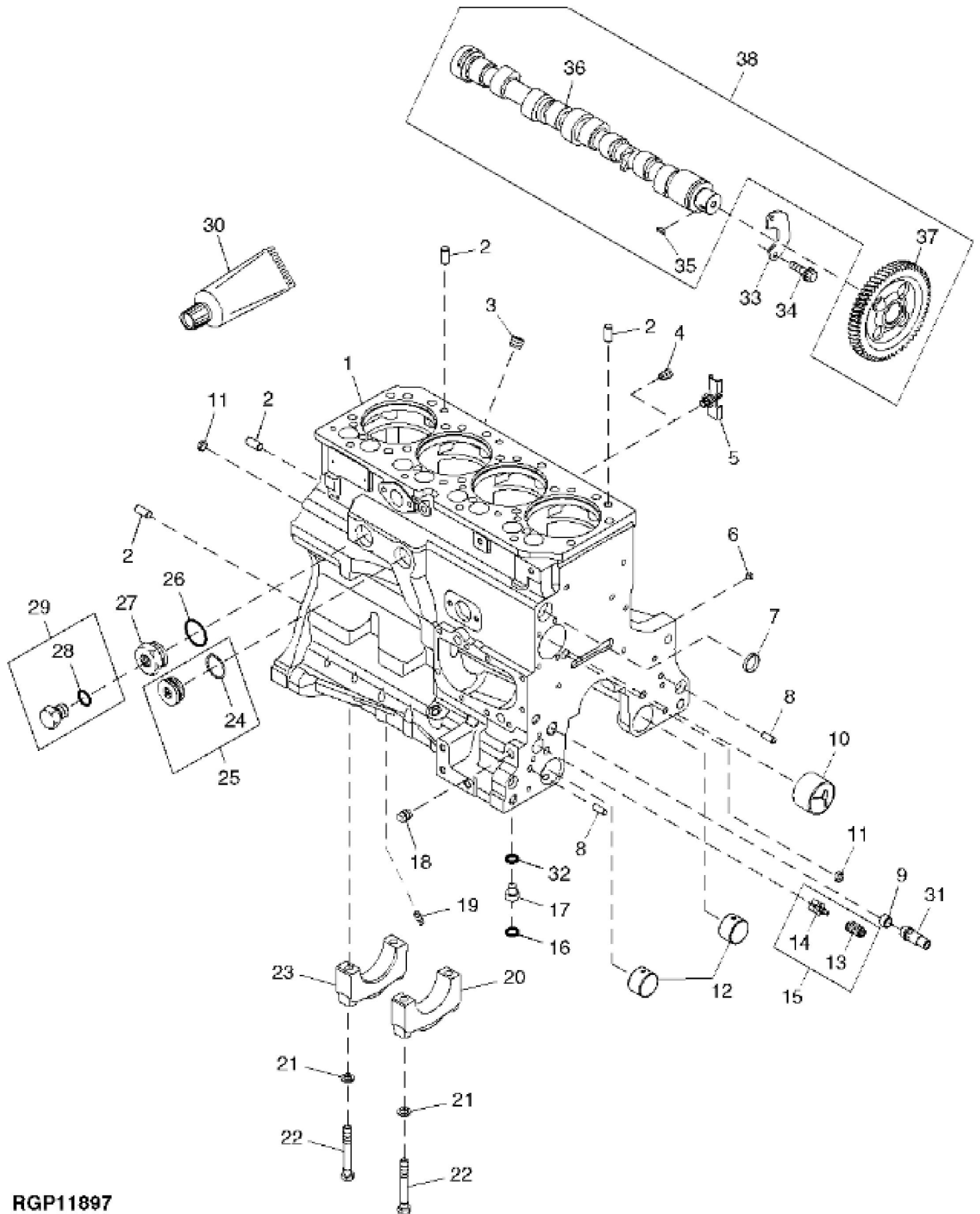
For more complete manuals. Please go to the home page.

<https://www.ebooklibonline.com>

If the above button click is invalid. Please download this document first, and then click the above link to download the complete manual.

Thank you so much for reading

KEY	PART NO.	PART NAME	QTY	REMARKS
1	R116515	ENGINE CYLINDER HEAD GASKET	1	
2	RE57234	CYLINDER HEAD	1	MARKED R121402
2	SE501579	CYLINDER HEAD REMAN	1	REMAN FOR RE57234
3	R90692	EXHAUST VALVE	4	STD
3	R97492	EXHAUST VALVE	AR	OD +0.381 mm
3	R97493	EXHAUST VALVE	AR	OD +0.762 mm
4	R106829	VALVE SEAT INSERT	4	
5	R85687	VALVE SEAT INSERT	4	
6	R98062	INTAKE VALVE	4	STD
6	R97490	INTAKE VALVE	AR	OD +0.381 mm
6	R97491	INTAKE VALVE	AR	OD +0.762 mm
7	R98063	VALVE SEAT INSERT	4	
8	R106831	VALVE SEAT INSERT	4	
9	T58477	FITTING	1	
10	R26906	O-RING	1	
11	R43409	PLUG	2	
12	CD16284	PLUG	1	
13	RE71255	PIPE PLUG	1	
14	RE31617	SEAL	8	
15	R26125	SPRING	8	
16	RE60005	ROTATOR	8	
17	R91889	RETAINER	16	
18	R85363	CAP SCREW	18	



RGP11897

<https://www.ebooklibonline.com>

Hello dear friend!

Thank you very much for reading.

Enter the link into your browser.

The full manual is available for immediate download.

<https://www.ebooklibonline.com>