

4001_RE59700_PCD

KEY	PART NO.	PART NAME	QTY	REMARKS	
1	RE69243	DIPSTICK	1		
2	R130055	DIPSTICK TUBE	1		
3	R502725	PLUG	1	SUB FOR R134240	

<https://www.ebooklibonline.com>

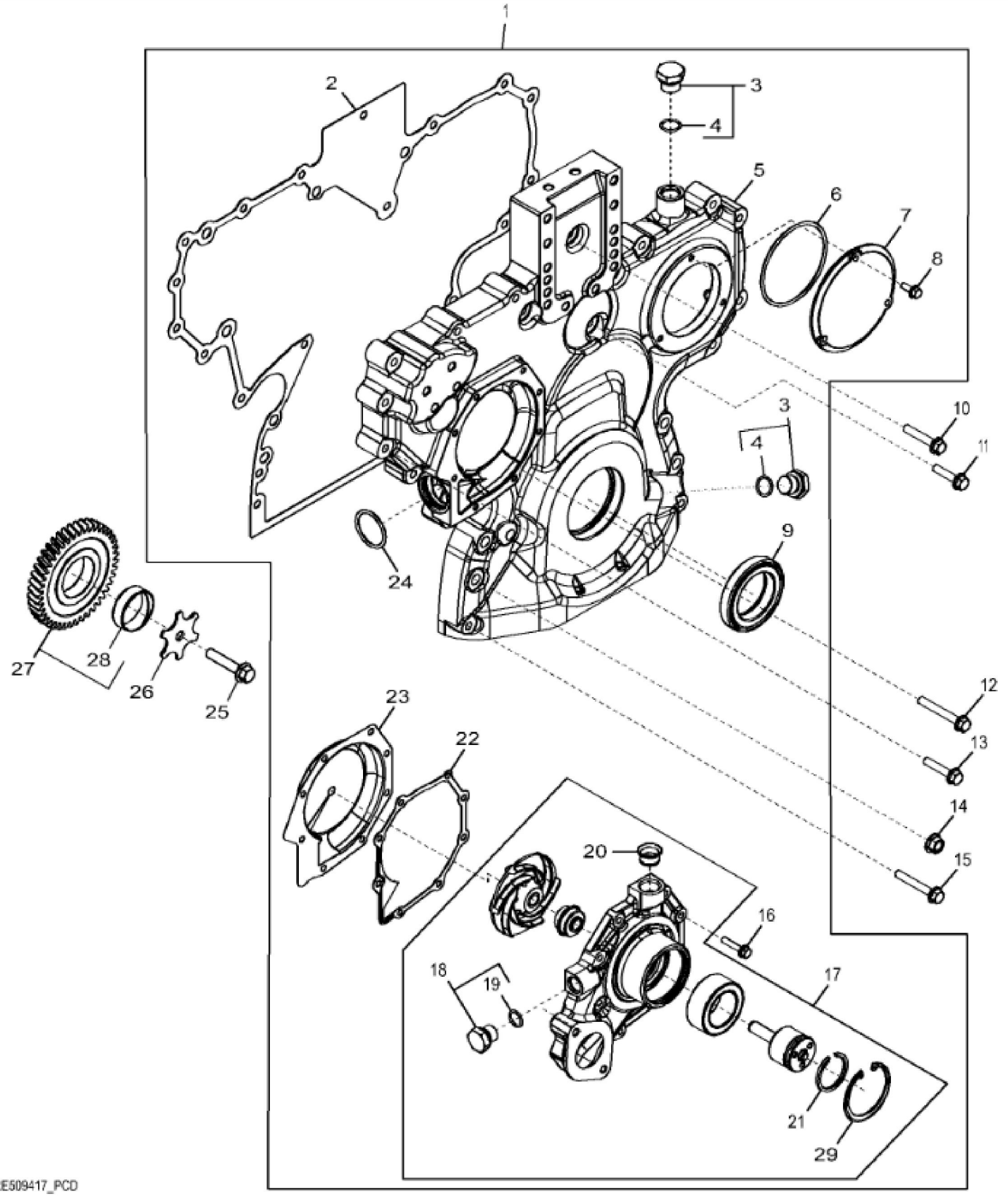
Hello dear friend!

Thank you very much for reading.

Enter the link into your browser.

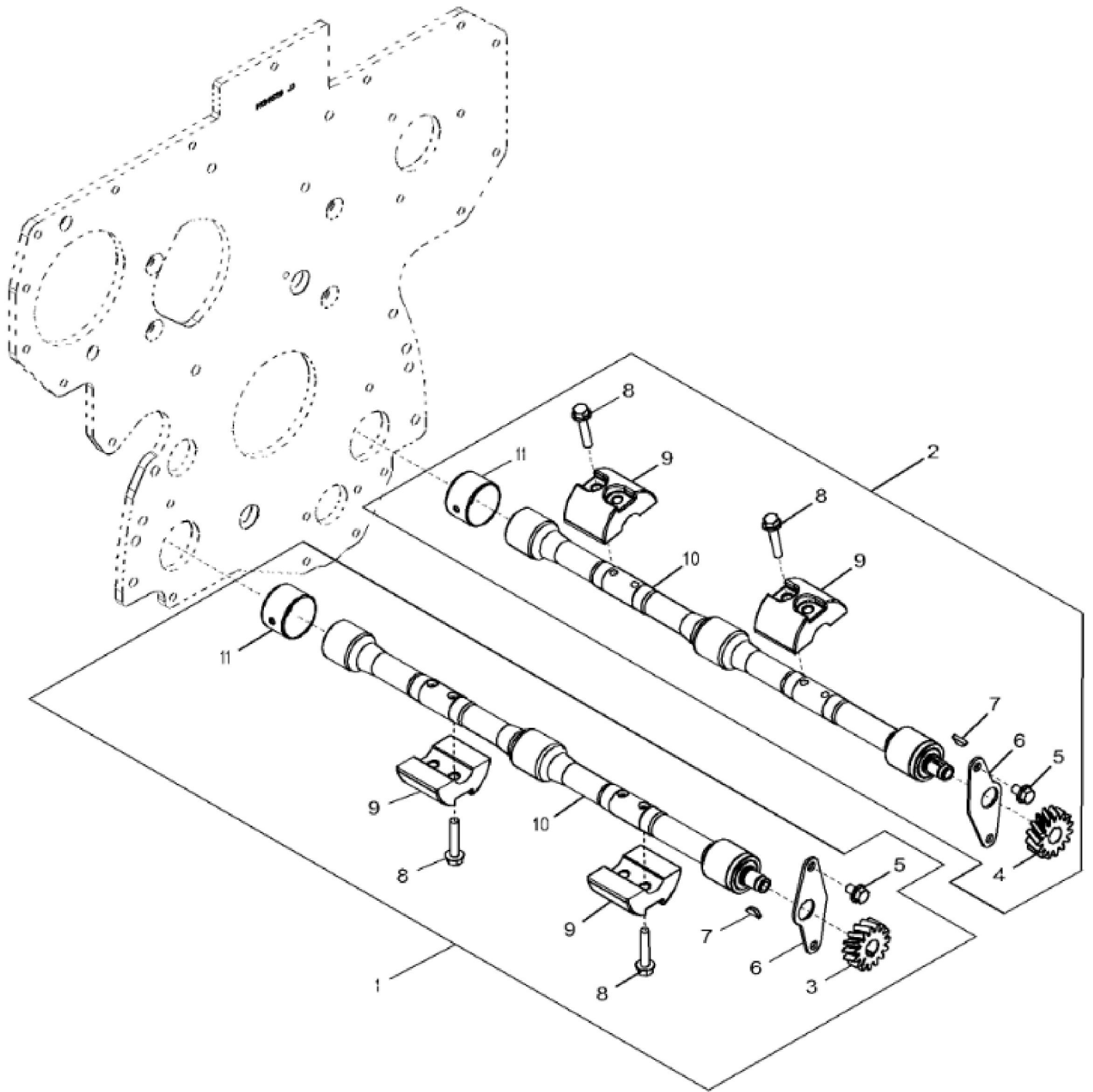
The full manual is available for immediate download.

<https://www.ebooklibonline.com>



John Deere > Turf And Utility >TRACTOR >4045TP079 - TRACTOR >5076EF (Narrow) Tractor (Worldwide Edition) >20 ENGINE 4045DP057-RE530900 - RE556191 >ST299032 - 4428 TIMING GEAR COVER AND WATER PUMP

KEY	PART NO.	PART NAME	QTY	REMARKS
1	RE532941	COVER KIT	1	
2	R545880	GASKET	1	SUB FOR R520131 OR R136515, R523182
3	RE517370	FITTING	2	
4	51M7044	O-RING	1	17.300 X 2.200 mm
5	COVER	1	MARKED R520129; ORDER RE532941
6	R121424	O-RING	1	
7	R121411	COVER	1	
8	19M7775	SCREW	3	M6 X 16
9	RE538097	SEAL	1	SUB FOR APPL RE505515; SUB FOR RE516340
10	RE67239	SCREW	1	(Threads With Pre-Applied Sealant)
11	19M8291	SCREW	1	M8 X 35
12	19M7801	SCREW	1	M8 X 60
13	19M8317	SCREW	10	M8 X 40
14	14M7296	FLANGE NUT	6	M10
15	19M7979	SCREW	2	M8 X 55
16	19M7796	SCREW	8	M6 X 30
17	RE546917	WATER PUMP	1	SUB FOR RE505981
17	SE501610	WATER PUMP REMAN	1	MARKED R532562; REMAN FOR RE546917
18	RE46685	FITTING PLUG	1	
19	51M7043	O-RING	1	15.300 X 2.200 mm
20	R123226	SEAL	1	
21	A364R	SNAP RING	1	
22	R123417	GASKET	1	
23	RE508566	INSERT	1	
24	R504734	O-RING	1	
25	19M8966	SCREW	1	M10 X 50
26	R131283	THRUST WASHER	1	
27	RE56369	GEAR	1	Z = 43
28	R114193	BUSHING	1	
29	R71228	RING	1	





Suggest:

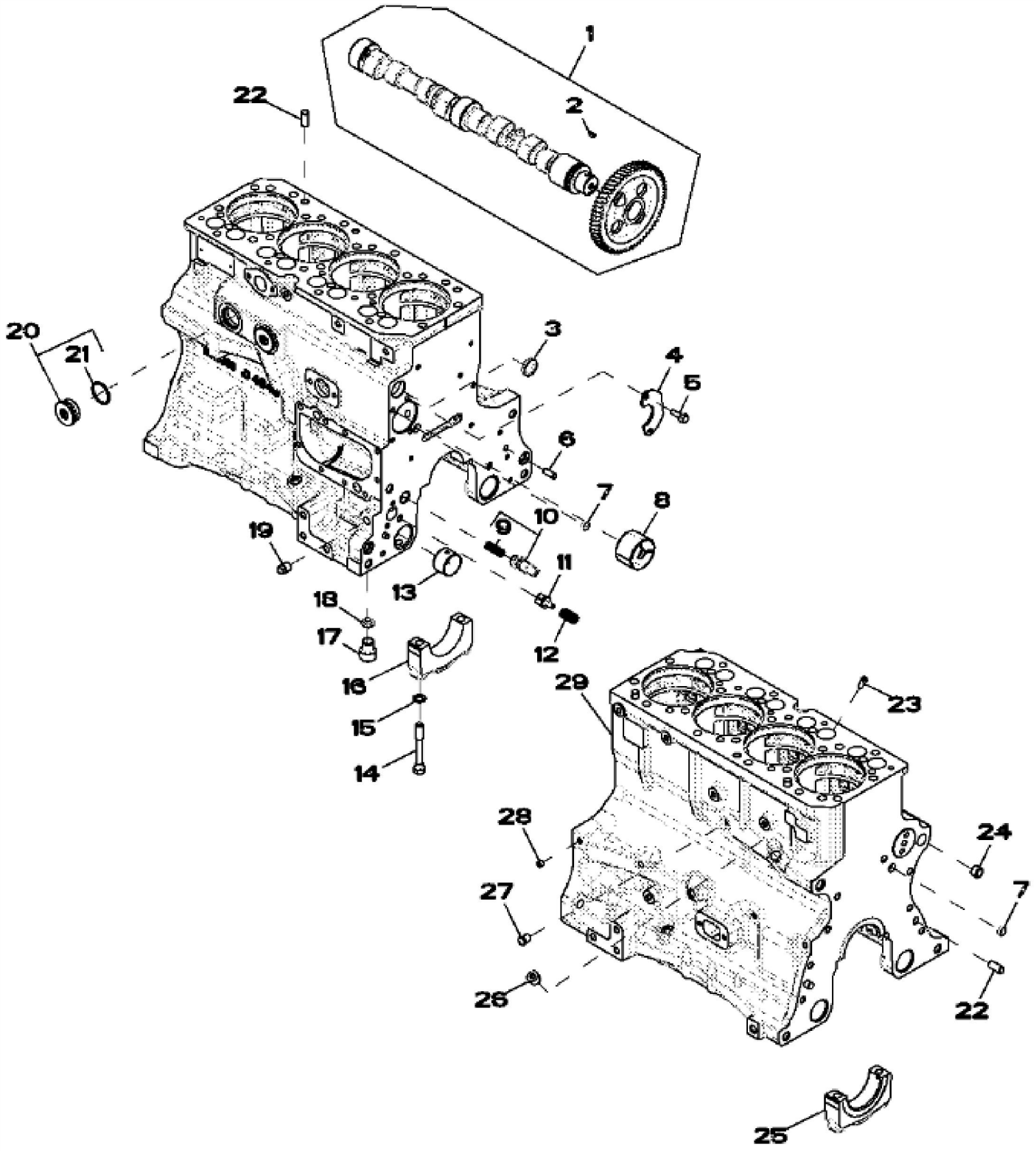
For more complete manuals. Please go to the home page.

<https://www.ebooklibonline.com>

If the above button click is invalid. Please download this document first, and then click the above link to download the complete manual.

Thank you so much for reading

KEY	PART NO.	PART NAME	QTY	REMARKS	
1	RE502449	BALANCER SHAFT	1	RH, KIT, Standard Duty	
2	RE502448	BALANCER SHAFT	1	LH, KIT, Standard Duty	
3	R120637	GEAR	1	Z= 15, RH	
4	R120639	GEAR	1	Z= 15, LH	
5	19M8998	SCREW	4	M8 X 12, SUB FOR APPL 19M7864	
6	PLATE	2	ORDER RE502448 OR RE502449	
7	R133303	SHAFT KEY	2		
8	19M8882	SCREW	8	M8 X 40, SUB FOR APPL 19M7798	
9	R500265	WEIGHT	4		
10	BALANCER SHAFT	1	RH, MARKED RE500448; ORDER RE502449	
10	BALANCER SHAFT	1	LH, MARKED RE500449; ORDER RE502448	
11	R115299	BUSHING	6		
12	34M7089	DOWEL PIN	AR	4 X 12 mm, Not Illustrated	



RE71548PCDD03

<https://www.ebooklibonline.com>

Hello dear friend!

Thank you very much for reading.

Enter the link into your browser.

The full manual is available for immediate download.

<https://www.ebooklibonline.com>