

&gt;ST451674 - 1147 ROCKER ARM COVER

KEY	PART NO.	PART NAME	QTY	REMARKS	
1	AR100124	SCREW WITH WASHER	6		
2	RE526534	COVER	1		
3	R90788	PLUG	1		
4	T20328	GASKET	1		
5	R75729	GASKET	1	(Not Illustrated) USE WITH RE526534	

**<https://www.ebooklibonline.com>**

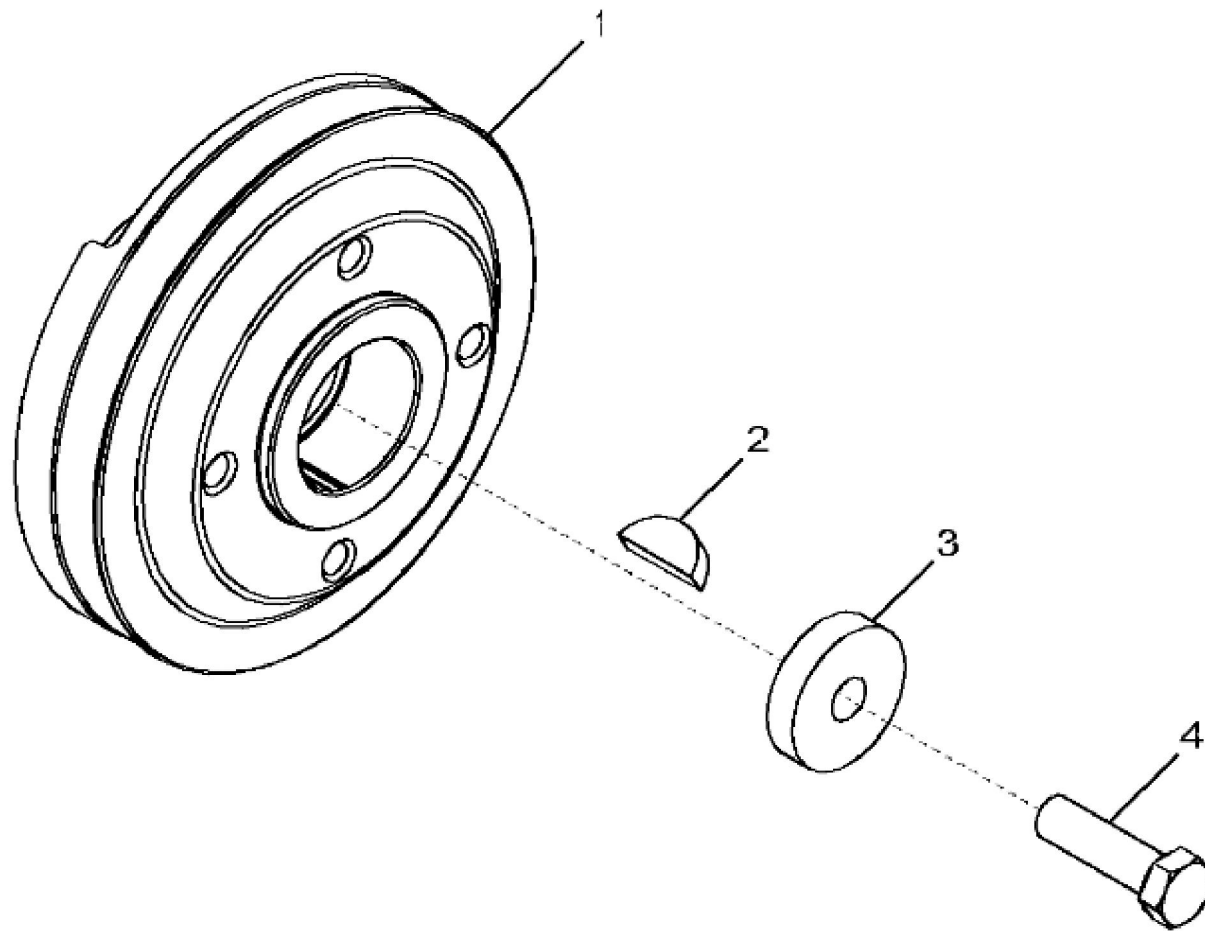
Hello dear friend!

Thank you very much for reading.

Enter the link into your browser.

The full manual is available for immediate download.

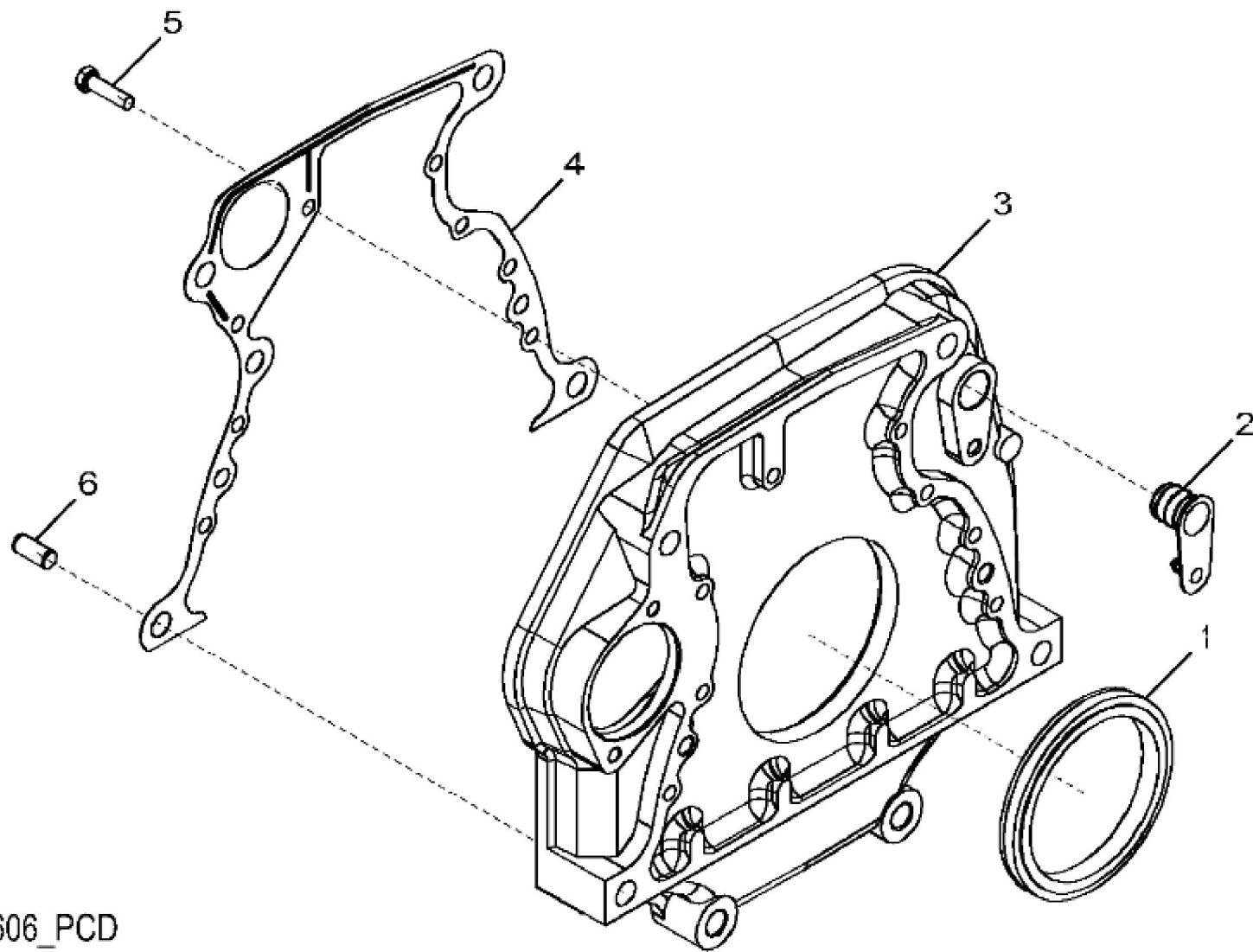
**<https://www.ebooklibonline.com>**



1308\_RE48186\_PCD

&gt;ST465165 - 1308 CRANKSHAFT PULLEY

KEY	PART NO.	PART NAME	QTY	REMARKS	
1	R501223	PULLEY	1		
2	26H27	SHAFT KEY	1	5/16" X 1-1/8"	
3	R109086	SPACER	1		
4	19H2473	CAP SCREW	1	1/2" X 1-3/4"	



1467\_RE527606\_PCD



**Suggest:**

**For more complete manuals. Please go to the home page.**

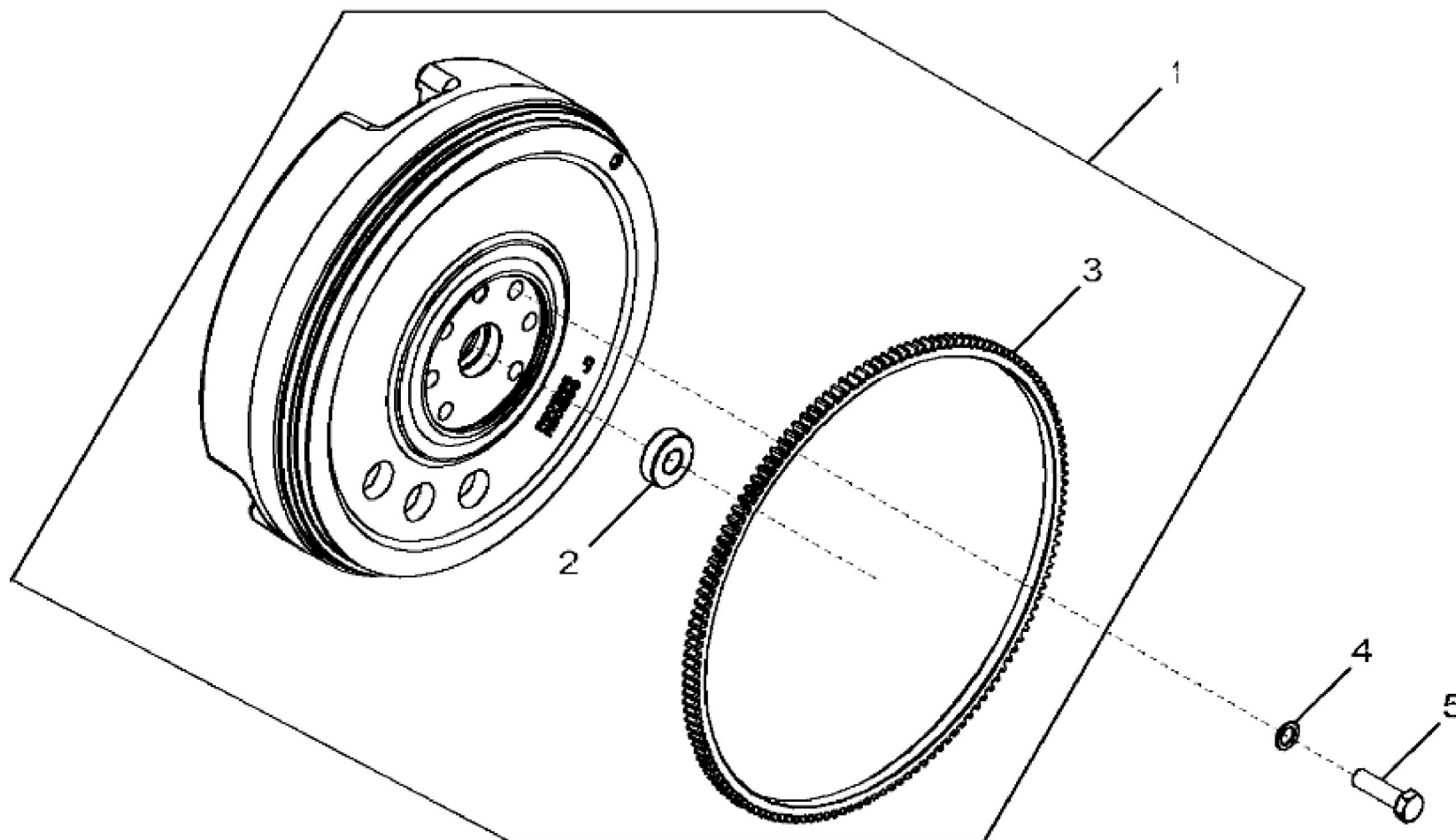
**<https://www.ebooklibonline.com>**

**If the above button click is invalid. Please download this document first, and then click the above link to download the complete manual.**

**Thank you so much for reading**

&gt;ST614045 - 1467 FLYWHEEL HOUSING

KEY	PART NO.	PART NAME	QTY	REMARKS	
1	RE35885	SEAL	1		
2	R131765	PLUG	1		
3	R120751	HOUSING	1		
4	R97351	GASKET	1		
5	19H3219	CAP SCREW	8	3/8" X 1-3/8"	
6	R48685	DOWEL PIN	2		



1577\_RE506175\_PCD

**<https://www.ebooklibonline.com>**

Hello dear friend!

Thank you very much for reading.

Enter the link into your browser.

The full manual is available for immediate download.

**<https://www.ebooklibonline.com>**